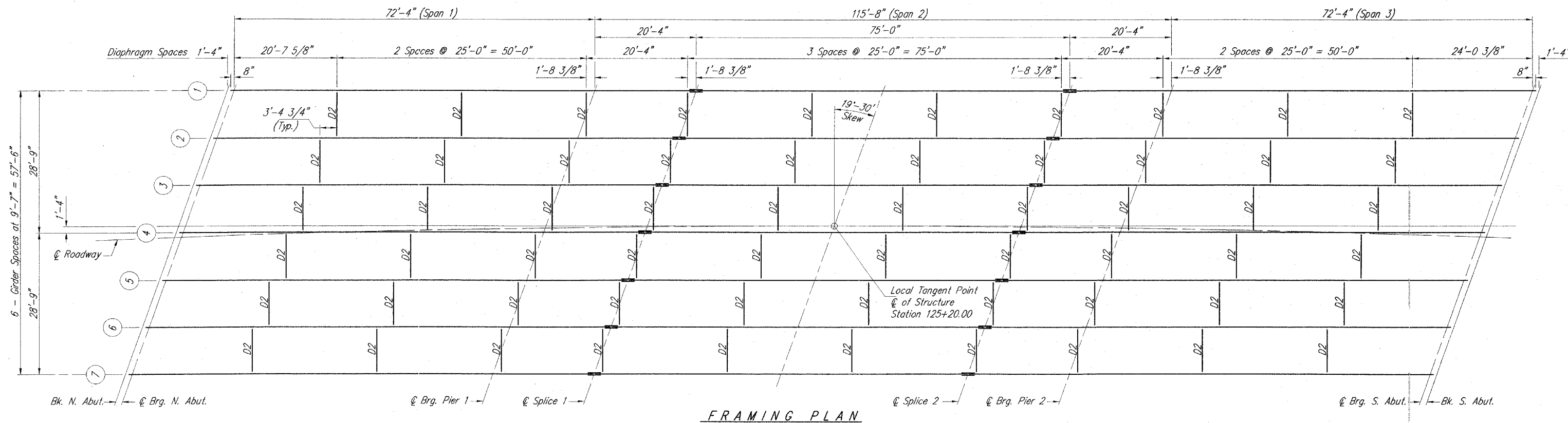
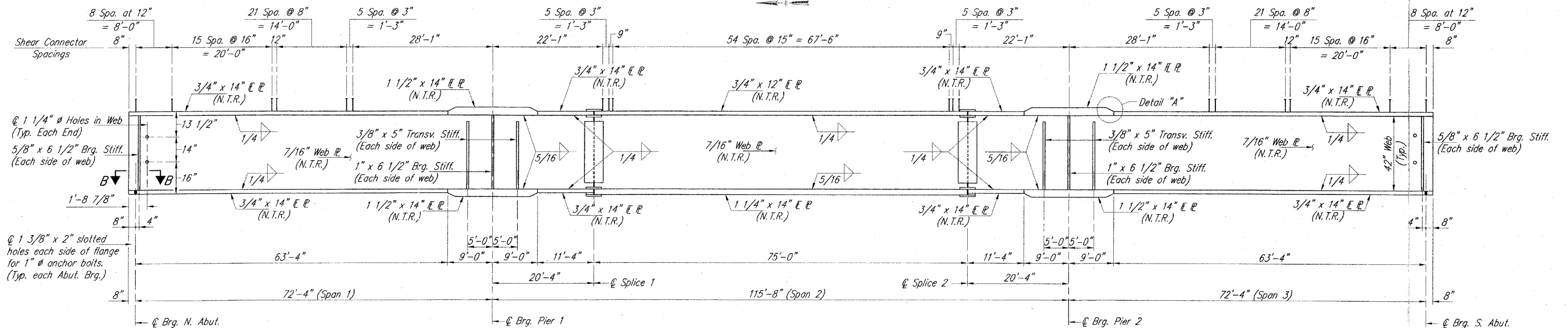


ROUTE NO.	SECTION	COUNTY	TOTAL SHEETS
F.A.U.8966	SEC. 97-00208-01-GS	MADISON	34
FED. ROAD DIST. NO. 7	ILLINOIS	PROJECT	

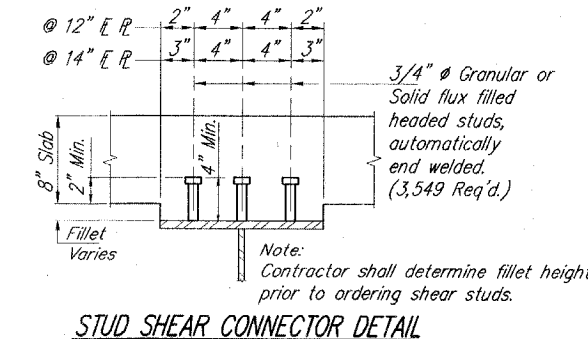
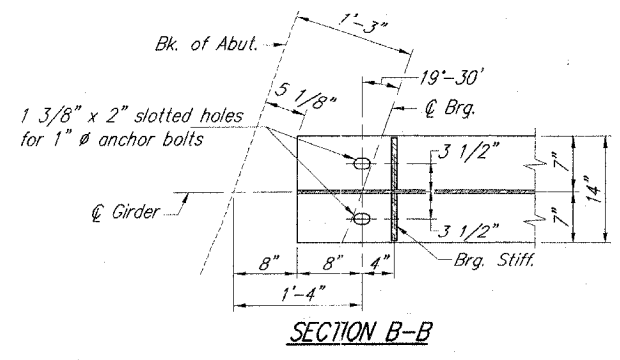
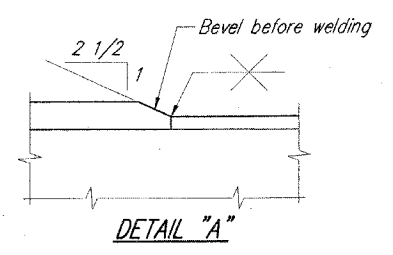


**FRAMING PLAN**



**GIRDER ELEVATION**

- NOTES:**
- N.T.R. refers to the Supplemental Requirements for Notch Toughness.
  - All Girder Flange and Flange Splice Plates are M270 Grade 50.
  - All Girder Web Plates, Diaphragms, Connection Plates, Bearing Stiffeners, Bearing Plates and Shim Plates are M270 Grade 36.



Corporate License Number 184-001-084  
**STRUCTURAL STEEL FRAMING PLAN**  
 INDIANA AVENUE over NORFOLK SOUTHERN RAILWAY  
 SEC. 97-00208-01-GS  
 STATION 125+20.00  
 ALTON, ILLINOIS  
 STR. NO. 060-6110



955100  
 DATE 05/12/05

DRAWN: D.A.N. 11/22/07  
 CHECKED: T.E.H. 11/29/07  
 REVIEWED: J.P.S. 12/05/07  
 DATE: 05-12-05  
 PROJECT: ST. LOUIS BRIDGE 05-12-05