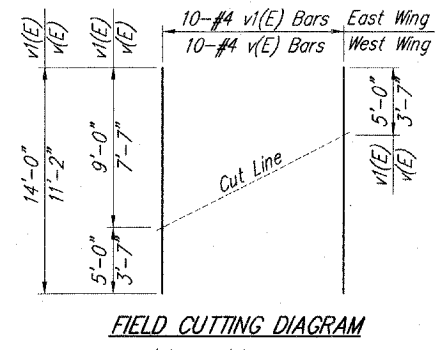
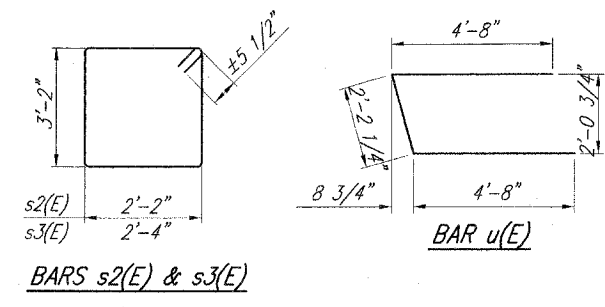
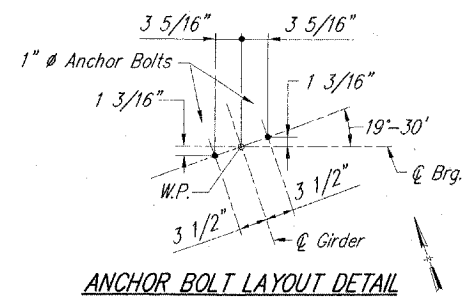
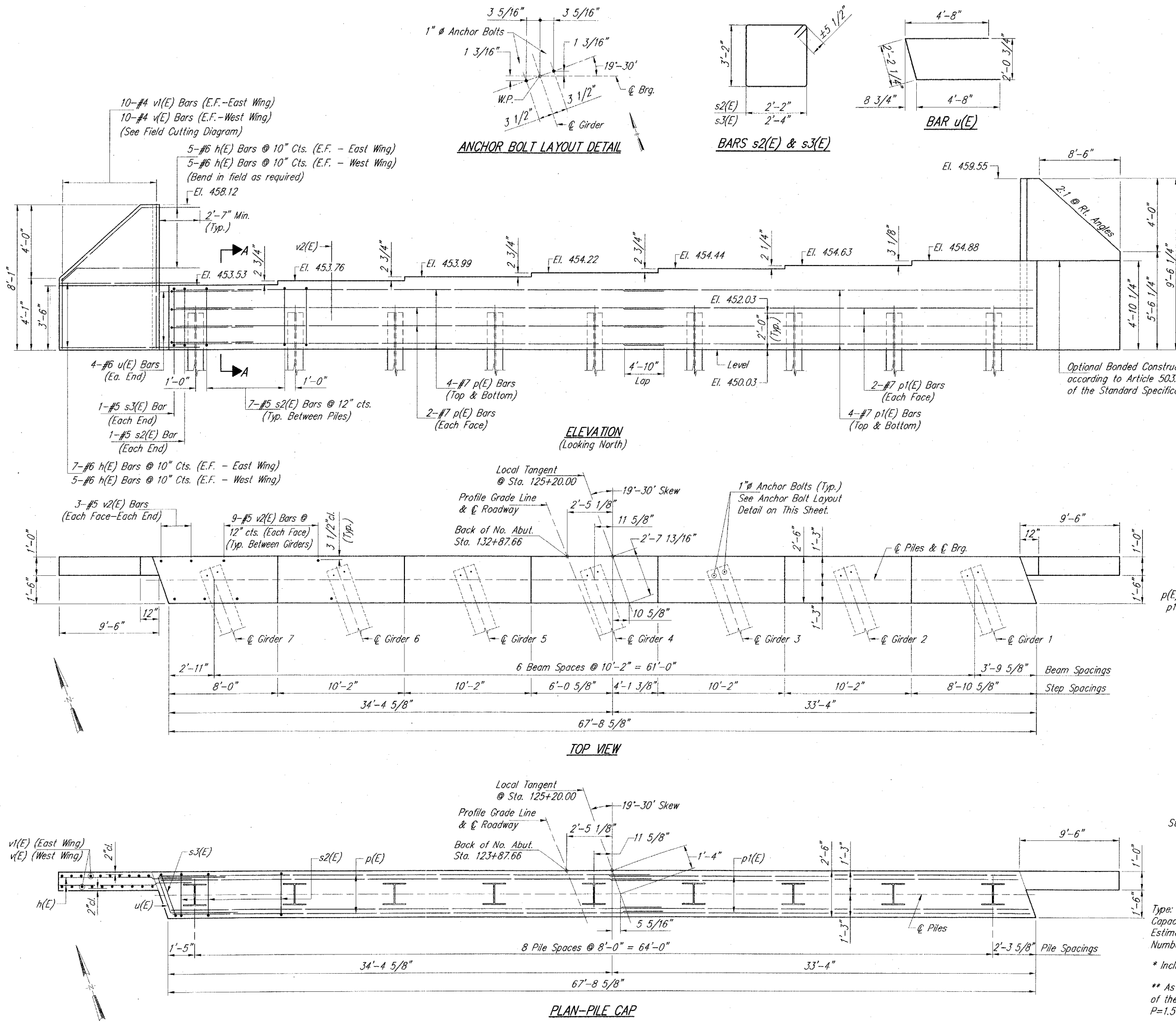
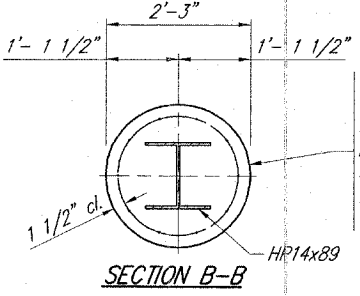


ROUTE NO.	SECTION	COUNTY	TOTAL SHEETS	SHEET NO.
F.A.U. 8986	SEC. 97-00208-01-GS	MADISON	34	2
FED. ROAD DIST. NO. 7		ILLINOIS	PROJECT	



FIELD CUTTING DIAGRAM

Order v(E) & v1(E) bars full length. Cut as shown and use remainder of bars in opposite face.



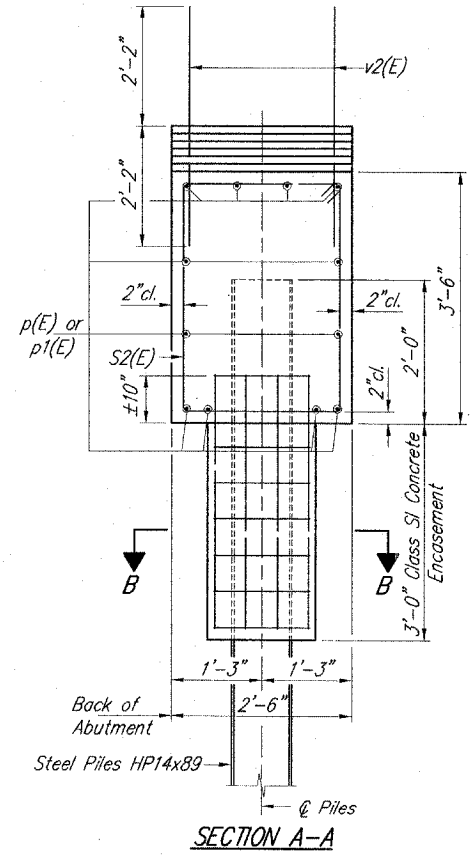
SECTION B-B

Welded wire fabric 6x6-W4.0xW4.0 weighing 58#/100 sq. ft. The Cost of Excavation and Reinforcement is included with the cost of Class SI Concrete Encasement. Forms for encasement may be omitted when soil conditions will permit.

**BILL OF MATERIAL
NORTH ABUTMENT**

Bar	No.	Size	Length	Shape
h(E)	44	#6	12'-0"	—
p(E)	12	#7	39'-6"	—
p1(E)	12	#7	32'-9"	—
s2(E)	60	#5	11'-7"	□
s3(E)	2	#5	11'-11"	□
u(E)	8	#6	11'-7"	—
v(E)	10	#4	11'-2"	—
v1(E)	10	#4	14'-0"	—
v2(E)	120	#5	4'-4"	—
Concrete Structures		Cu. Yd.	31.1	
Reinf. Bars (Epoxy Coated)		Pound	4310	
Furn. Steel Piles-HP14x102		Foot	1260	
Driving Steel Piles		Foot	1260	
Test Pile HP14x102		Each	1	
Metal Shoes		Each	8	
Structure Excavation		Cu. Yd.	48	

Reinforcement bars designated (E) shall be epoxy coated.



SECTION A-A

PILE DATA

Type: HP14x102 w/ Metal Shoes
Capacity: Drive to Refusal**
Estimated Length: 140 Ft.
Number Required: 9 *
* Includes 1 Test Pile

** As specified in article 512.10(g)(3) of the Standard Specifications except P=1.5 (12000 x sq. in. pile cross section)

Corporate License Number 184-001-084

**NORTH ABUTMENT
INDIANA AVENUE over NORFOLK SOUTHERN RAILWAY
SEC. 97-00208-01-GS
STATION 125+20.00
ALTON, ILLINOIS
STR. NO. 060-6110**

Copyright Hanson Professional Services Inc. 2005



JOB NO.
9551000
DATE
05/12/00

DRAWN: D.A.N. 3/31/05
 CHECKED: T.E.H. 3/31/05
 DATE: 1/22/03
 05-12-05 13-MABUT.DWG MAY 13, 2005 7:37AM DMB