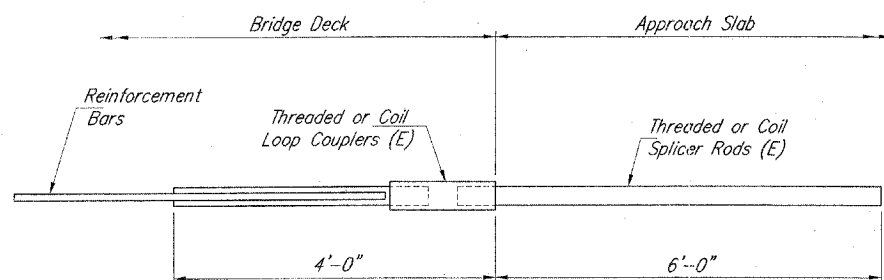


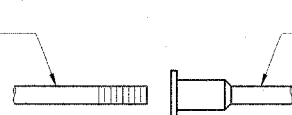
ROUTE NO.	SECTION	COUNTY	TOTAL SHEETS	SHEET NO.
F.A.U. 8966	SEC. 97-00208-01-GS	MADISON	34	27
FED. ROAD DIST. NO. 7	ILLINOIS	PROJECT		



**INTEGRAL ABUTMENT  
BAR SPLICER ASSEMBLY DETAIL  
FOR #5 BAR**

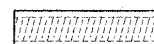
Min. Capacity = 23.0 kips - tension
Min. Pull-out Strength = 9.2 kips - tension
No. Required = 122

The diameter of this part is the same as the diameter of the bar spliced.

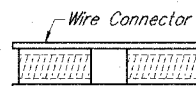


**ROLLED THREAD DOWEL BAR**

The diameter of this part is equal or larger than the diameter of bar spliced.



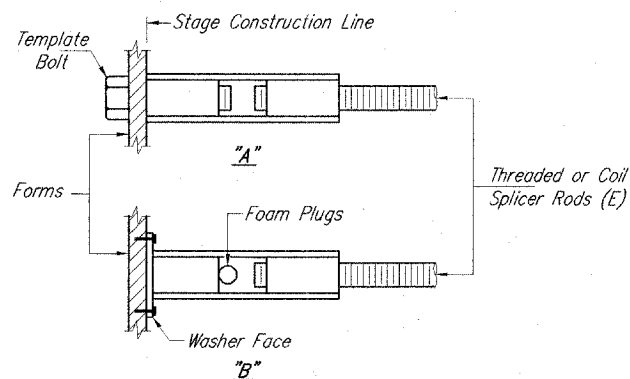
**\*\* ONE PIECE**



**WELDED SECTIONS**

**BAR SPLICER ASSEMBLY ALTERNATIVES**

\*\* Heavy Hex Nuts conforming to ASTM A 56.3, Grade C, D or DH may be used.



**INSTALLATION & SETTING METHODS**

"A": Set bar splicer assembly by means of template bolt.  
 "B": Set bar splicer assembly by nailing to wood forms or cementing to steel forms.  
 (E) : Indicates epoxy coating.

**NOTES**

Bar splicer assemblies shall be of an approved type and shall develop in tension at least 125 percent of the yield strength of the lapped reinforcement bars.  
 Splicer rods shall be of minimum 60 ksi yield strength, threaded or coiled full length.  
 All reinforcement bars shall be lapped and tied to the splicer rods or dowel bars.  
 Bar splicer assemblies shall be epoxy coated according to the requirements for reinforcement bars.

Other systems of similar design may be submitted to the Engineer for approval. Approval shall be based on certified test results from an approved testing laboratory that the proposed bar splicer assembly satisfies the following requirements:

- ① Minimum Capacity =  $1.25 \times f_y \times A_t$   
(Tension in kips)
- ② Minimum \*Pull-out Strength =  $1.25 \times f_{s \text{ allow}} \times A_t$   
(Tension in kips)

Where  $f_y$  = Yield strength of lapped reinforcement bars in ksi.  
 $f_{s \text{ allow}}$  = Allowable tensile stress in lapped reinforcement bars in ksi (Service Load)  
 $A_t$  = Tensile stress area of lapped reinforcement bars.  
 \* = 28 day concrete.

Bar Size to be Spliced	Splicer Rod or Dowel Bar Length	Strength Requirements	
		Min. Capacity kips - tension	Min. Pull-Out Strength kips - tension
#5	2'-0"	23.0	9.2
#6	2'-7"	33.1	13.3
#7	3'-5"	45.1	18.0
#8	4'-6"	58.9	23.6

Bar splicer assemblies shall be according to Section 508 of the Standard Specifications, except as noted. The furnishing and installation of bar splicer assemblies will be measured and paid for at the contract unit price each for "BAR SPLICERS."

Corporate License Number 184-001-084

**BAR SPLICER ASSEMBLY DETAILS**  
 INDIANA AVENUE over NORFOLK SOUTHERN RAILWA.  
 SEC. 97-00208-01-GS  
 STATION 125+20.00  
 ALTON, ILLINOIS  
 STR. NO. 060-6110

Copyright Hanson Professional Services Inc. 2005



Hanson Professional Services Inc.

JOB NO.

95S1008

DATE

05/12/05

3/9/98  
 D.F.  
 3/10/98  
 D.A.N.  
 3/31/05  
 T.E.H.  
 05-12-05  
 17-SPICERS.DWG  
 MAY 13, 2005 11:34AM DAB