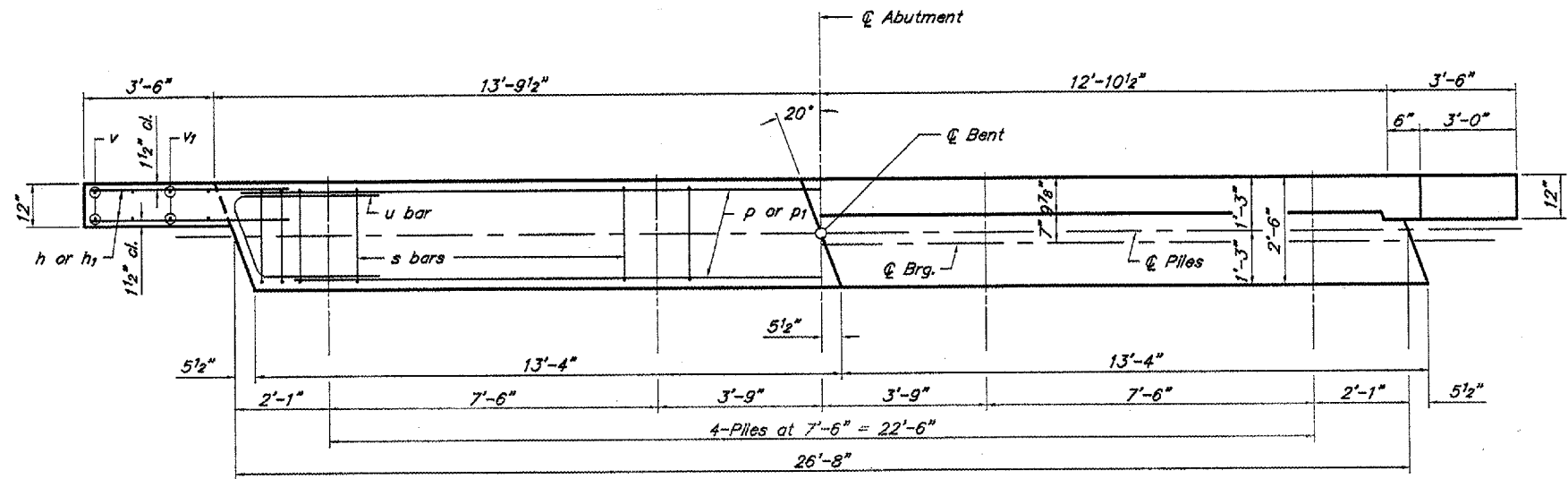
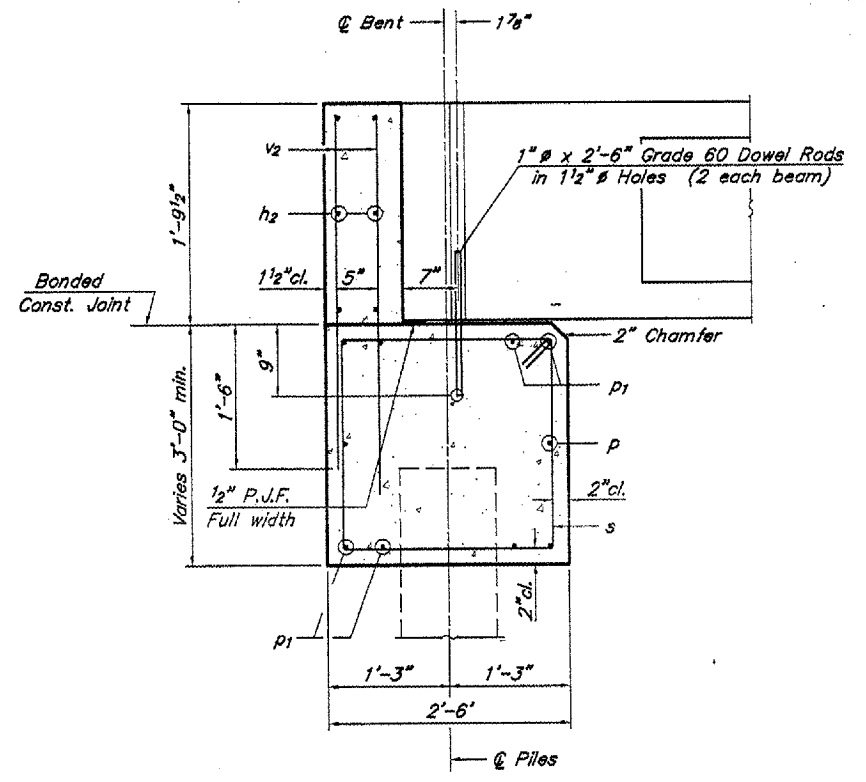


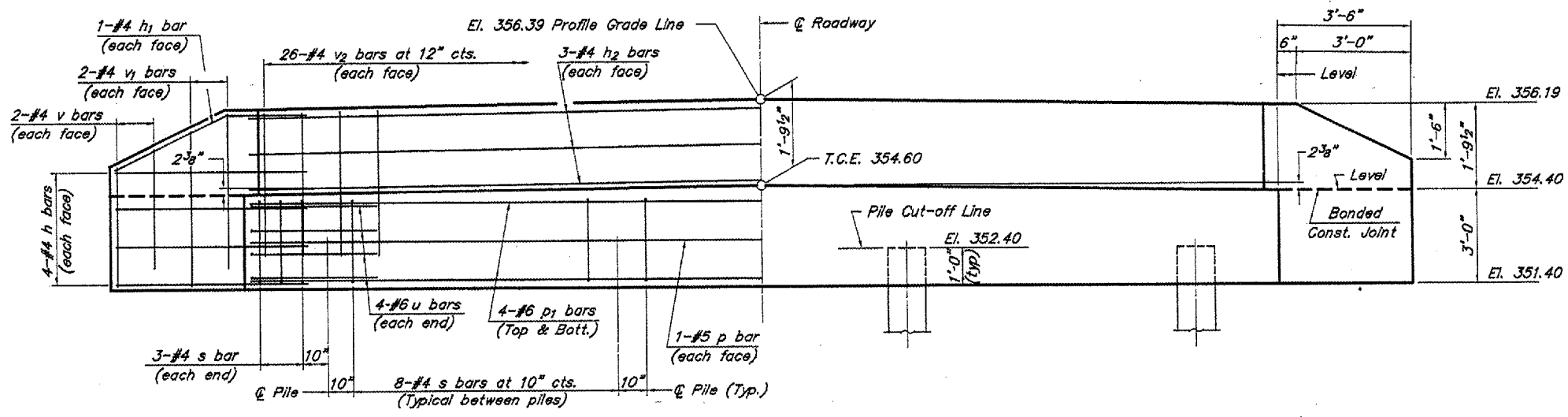
ROUTE	SECTION	COUNTY	TOTAL SHEETS	SHEET NO.
TR 1	02-01176-00-BR	PULASKI	10	6
PROJECT NO. BROS-153(27)			CONTRACT NO. 99230	



PLAN



SECTION THRU ABUT.
(At Right Angles)



ELEVATION

BAR LIST FOR ONE ABUTMENT

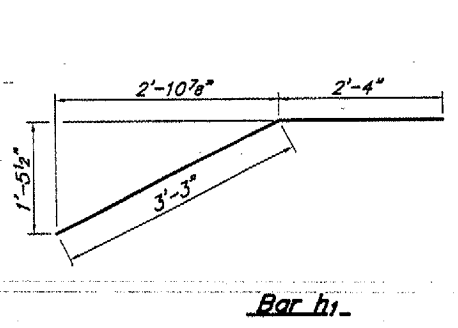
Bar	No.	Size	Length	Shape
h	16	#4	5'-4"	—
h1	4	#4	5'-7"	—
h2	6	#4	26'-4"	—
p	2	#5	26'-4"	—
p1	8	#6	26'-4"	—
s	30	#4	10'-5"	□
u	8	#6	10'-8"	—
v	8	#4	3'-2"	—
v1	8	#4	4'-2"	—
v2	52	#4	3'-5"	—

NOTES

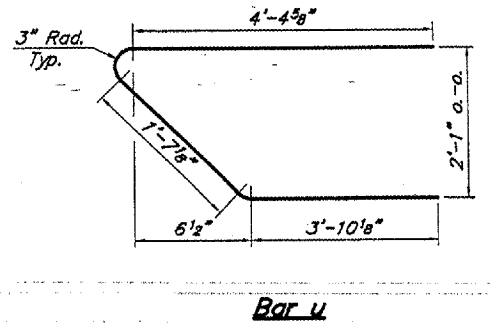
- The Backwall and the portion of the Wingwalls above the bonded construction joint shall be cast against the in-place beam.
- Reinforcement bars shall conform to A.A.S.H.T.O. M-31, M-42 or M-53, Grade 60.

QUANTITIES FOR ONE ABUTMENT

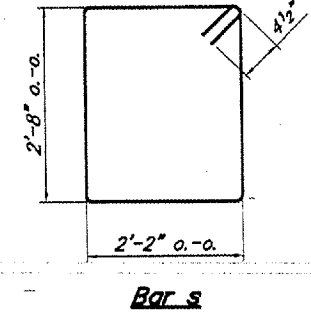
Concrete Structures	10.2 Cu. Yds.
Reinforcement Bars	1040 Lbs.



Bar h1



Bar u



Bar s

DESIGN STRESSES

$f_c = 3,500$ psi
 $f_y = 60,000$ psi

ABUTMENTS
LITTLE CREEK
SECTION 02-01176-00-BR
PULASKI COUNTY