

REVISION	DATE

DECATUR, ILLINOIS

DECATUR AIRPORT
DECATUR, ILLINOIS

IL PROJ.: DEC-3414 A.I.P. PROJ.: 3-17-0033-28

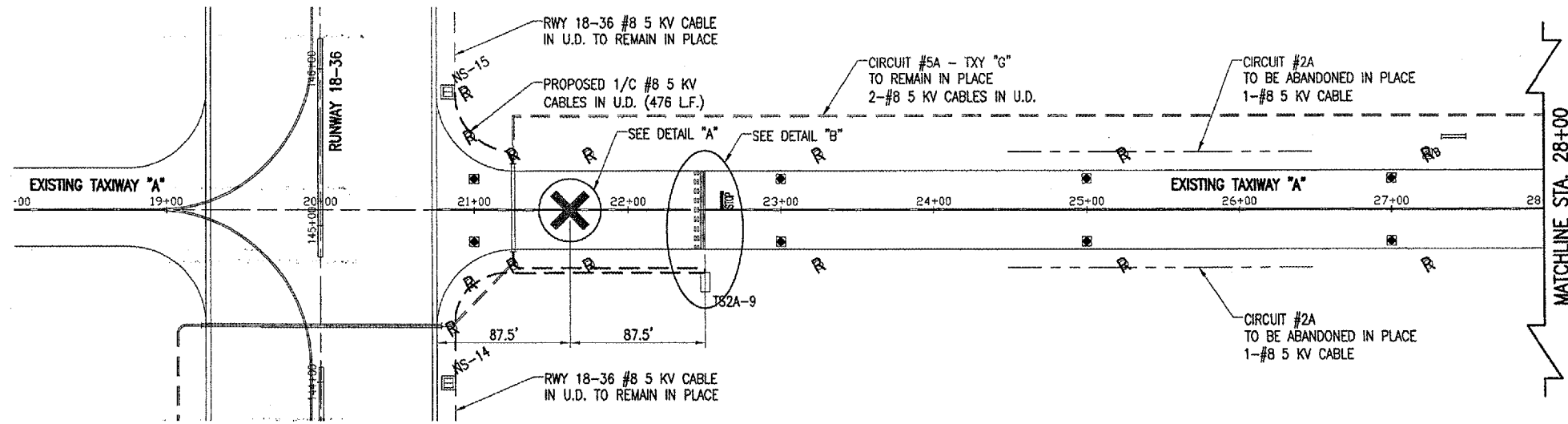
Project No. 802-041100	04/14/05
Revision R-122CON.DWG	04/14/05
Scale 1"=50'	06/07/05
Date 04/14/05	
LAYOUT	CCC
DRAWN	CCC
REVIEWED	WJM

HANSON

Engineers, Architects, Scientists
1525 South Sixth Street
Springfield, Illinois 62768
Chicago National

**TAXIWAY G WIDENING
PHASE II**

**PROPOSED SERVICE ROAD
CONSTRUCTION PLAN
STA. 21+00 TO 28+00**



LIGHTS AND SIGN REMOVAL NOTES:

ALL STAKE MOUNTED AND BASE MOUNTED TAXIWAY LIGHTS AND TAXIWAY GUIDANCE SIGNS ON EXISTING TAXIWAYS "A" AND "D" THAT ARE NOTED FOR REMOVAL IN THIS PLAN WILL BE REMOVED BY THE CONTRACTOR. STAKES, BASES, AND TRANSFORMERS WILL BE REMOVED, AND NO. 8 POWER CABLE, CIRCUIT 2A, WILL BE ABANDONED IN PLACE. CONCRETE BASES FOR THE LIGHTS AND SIGNS WILL BE REMOVED AND DISPOSED OF BY THE CONTRACTOR.

LIGHT FIXTURES, SIGNS AND TRANSFORMERS WILL BE TURNED OVER TO THE AIRPORT DIRECTOR. PROVIDING THE DIRECTOR DOES NOT WANT THE SALVAGED MATERIALS, THE CONTRACTOR WILL DISPOSED OF THE MATERIALS.

ALL DISTURBED AREAS, AS A RESULT OF THE REMOVALS, WILL BE REGRADED, HOLES FILLED WITH TOP SOIL MATERIAL, SMOOTH GRADED, SEEDED AND FERTILIZED ACCORDING TO SPECIFICATION ITEM: AR901510.

PAYMENT FOR THESE ITEMS OF WORK WILL BE AS FOLLOWS:
AR125901 "REMOVE STAKE MOUNTED LIGHT" _____ PER EACH.
AR125902 "REMOVE BASE MOUNTED LIGHT" _____ PER EACH.
AR125904 "REMOVE TAXI GUIDANCE SIGN" _____ PER EACH.

MARKING REMOVAL NOTES:

THE EXISTING TAXIWAY PAVEMENT MARKING ON TAXIWAY "A" EAST OF THE EAST EDGE OF PAVEMENT ON RUNWAY 18-36 AND TAXIWAY "D" WEST OF THE CENTERLINE OF RUNWAY 12-30 WILL BE REMOVED. THE MARKING CONSIST OF A CONTINUOUS 1 FOOT WIDE YELLOW CENTERLINE STRIPE AND TWO YELLOW TAXIWAY HOLD LINES. THE METHOD OF REMOVAL WILL BE BY GRINDING OR WATER BLASTING.

PAYMENT FOR THIS ITEM OF WORK WILL BE AS FOLLOWS:
AR620900 "PAVEMENT MARKING REMOVAL" _____ PER SQ. FT.

RETROFLECTIVE MARKER NOTES:

ELEVATED RETROFLECTIVE MARKERS SHALL BE SPACED ACCORDING TO THE STATION LOCATIONS GIVEN ON THIS SHEET.

THE MARKERS WILL BE LOCATED 20' RIGHT AND LEFT OF THE CENTERLINE OF THE SERVICE ROAD. THE PLACEMENT SHALL BE SUCH THAT THE LATERAL PLACEMENT AND HEIGHT HAVE A SATISFACTORY AND UNIFORM ALIGNMENT. MARKERS NOT HAVING SATISFACTORY AND UNIFORM NIGHT APPEARANCE SHALL BE ADJUSTED AT THE CONTRACTOR'S EXPENSE UNTIL THEY DO CONFORM.

A CORE HOLE WILL BE CUT INTO THE BITUMINOUS PAVEMENT OF SUFFICIENT WIDTH TO ACCEPT THE SOIL MOUNT ANCHOR TO A DEPTH OF 6 INCHES. THE ANCHOR WILL BE GROUTED INTO PLACE. THE BOTTOM OF THE TUBE WILL BE SET FLUSH WITH THE EXISTING PAVEMENT.

THE ELEVATED RETROFLECTIVE MARKERS ARE TO BE INSTALLED ACCORDING TO THE MANUFACTURER'S RECOMMENDATIONS AND THE SATISFACTION OF THE ENGINEER. THE MARKERS WILL COMPLY WITH SPECIFICATION ITEM AR125100 AND MEET THE REQUIREMENTS OF FAA SPECIFICATION L-853 AND BE MANUFACTURED BY HONEYWELL, FLIGHT LIGHT OR APPROVED EQUAL. THE MARKER IS TO BE AN 853 FIXTURE, SOIL MOUNT MOUNTING BASE, 24" TUBE HEIGHT, YELLOW TUBE COLOR, 3 REFLECTIVE BANDS, AND WHITE BAND COLOR.

PAYMENT FOR THIS ITEM OF WORK WILL BE AS FOLLOWS:
AR125100 "ELEVATED RETROFLECTIVE MARKER" _____ PER EACH.

STOP SIGN NOTES:

ALL ROADWAY SIGNS WILL BE PLACED AT LOCATIONS SHOWN ON THE PLANS. PLACEMENT AND CONSTRUCTION OF THE SIGNS WILL BE DONE IN COMPLIANCE WITH THE FEDERAL HIGHWAY ADMINISTRATION'S MANUAL ON UNIFORM TRAFFIC CONTROL DEVICES AS WELL AS THE ILLINOIS DEPARTMENT OF TRANSPORTATION'S STANDARD SPECIFICATIONS FOR TRAFFIC CONTROL ITEMS. IN THE EVENT OF A CONFLICT IN CONSTRUCTION REQUIREMENTS OR PROCEDURES, THE MORE STRINGENT POLICY WILL GOVERN.

SIGN DESIGNATION NUMBERS ARE AS DEFINED BY THE FEDERAL HIGHWAY ADMINISTRATION MANUAL ON UNIFORM TRAFFIC CONTROL DEVICES.

THE TOP HEIGHT OF THE METAL STOP SIGN PANEL WILL BE SET AT 4 FEET ABOVE THE PAVEMENT SURFACE.

DIRECTLY BENEATH THE STOP SIGN, A SECOND SIGN WILL BE DISPLAYED "CONTACT ATC." THE SIGN MATERIALS WILL BE THE SAME AS FOR THE STOP SIGN. THE SIGN WILL HAVE A WHITE BACKGROUND WITH BLACK LETTERS AND A BLACK BORDER. THE HEIGHT OF THE LETTERS WILL BE 2 INCHES. A SHOP DRAWING IS REQUIRED.

THE SETTING OF THE POST, WOOD, WILL REQUIRE CORING THROUGH THE EXISTING PAVEMENT.

PAYMENT FOR THIS ITEM OF WORK WILL BE AS FOLLOWS:
AR910200 "ROADWAY SIGNAGE" _____ PER EACH.

ROADWAY MARKING NOTES:

THE ROADWAY MARKING WILL CONSIST OF CENTERLINE STRIPES, EDGE STRIPES, STOP BARS WITH LETTERING, AND TAXIWAY CLOSURE CROSSES (X).

THE CENTERLINE STRIPES WILL BE 6 INCHES IN WIDTH AND 10 FEET IN LENGTH FOLLOWED BY 30 FEET OF UNMARKED SPACE WILL BE YELLOW IN COLOR. THE CENTERLINE STRIPES WILL EXTEND FROM THE NEAR EDGE OF RUNWAY 18-36 TO THE NEAR EDGE OF RUNWAY 12-30.

THE EDGE STRIPES, BOTH SIDES, WILL BE 6 INCHES IN WIDTH AND WHITE IN COLOR. THE EDGE STRIPE WILL BE CONTINUOUS FROM THE NEAR EDGE OF RUNWAY 18-36 TO THE NEAR EDGE OF RUNWAY 12-30.

THE STOP BAR AND STOP LETTERS WILL BE WHITE IN COLOR. THE STOP BAR WILL BE 12 FEET IN LENGTH AND 2 FEET IN WIDTH. THE HEIGHT OF THE LETTERS WILL BE 6 FEET AND FOLLOW THE ILLINOIS DEPARTMENT OF TRANSPORTATION STANDARDS.

THE TAXIWAY CLOSURE CROSSES (X) WILL BE LOCATED AND DIMENSIONED ACCORDING TO DETAIL "A" ON THIS SHEET AND SHEET _____.

PAYMENT FOR THIS ITEM OF WORK WILL BE AS FOLLOWS:
AR620520 "PAVEMENT MARKING-WATERBORNE" _____ PER SQ. FT.

LIGHTED SIGN NOTES:

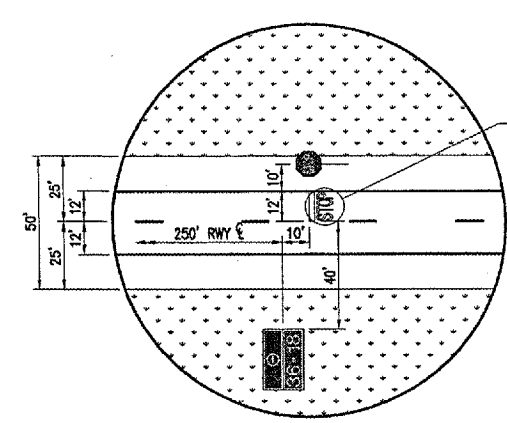
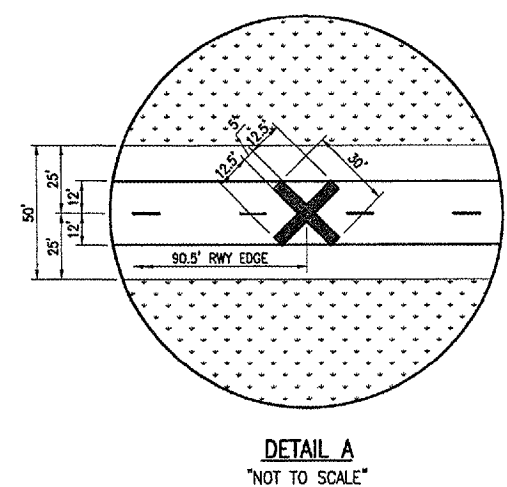
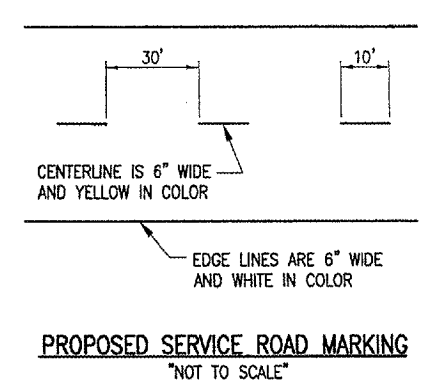
EXISTING SIGN No. TS2A-9 AND T2A-S5 WILL REMAIN IN PLACE AND BE REWIRED TO THE ADJACENT RUNWAY CIRCUIT. 1/C #8 5 KV CABLE IN U.D. WILL WIRE THE SIGNS INTO THE NEW CIRCUITS. CABLING WILL BE PAID FOR UNDER ITEM:
AR108158 "1/C #8 5 KV UG CABLE IN UD." _____ PER L.F.

THE 12-30 RUNWAY CIRCUIT WILL BE INTERRUPTED AND NEW CABLE RUN FROM FIXTURE NWSE-18 TO SIGN T2A-S5 THROUGH THE ELECTRICAL DUCT TO FIXTURE NWSE-19.

THE 18-36 RUNWAY CIRCUIT WILL BE INTERRUPTED AND NEW CABLE RUN FROM FIXTURE NS-14 TO SIGN TS2A-9 THROUGH THE ELECTRICAL DUCT TO FIXTURE NS-15.

THE TWO EXISTING SIGNS ARE 6 CHARACTER PANEL SIGNS AND THE SIGN PANELS WILL BE CHANGED AS DETAILED ON THE PLANS. THE SIGN DESIGNATION IS A MANDATORY SIGN WITH WHITE INSCRIPTION ON A RED BACKGROUND.

PAYMENT FOR THE SIGN MODIFICATION WILL BE UNDER ITEM:
AR125470 "MODIFY EXISTING SIGN PANEL" _____ PER EACH.



LEGEND

	EXISTING PAVEMENT
	EXISTING ELECTRICAL CABLE
	EXISTING ELECTRICAL CABLE TO BE ABANDONED/REMOVED
	EXISTING BASE MOUNT RUNWAY LIGHT
	EXISTING BASE MOUNT TAXIWAY LIGHT TO BE REMOVED
	EXISTING STAKE MOUNT TAXIWAY LIGHT TO BE REMOVED
	EXISTING TAXIWAY GUIDANCE SIGN TO BE REMOVED
	PROPOSED ELEVATED RETROFLECTIVE MARKER
	PROPOSED ELECTRICAL CABLE

JUN 10, 2005 9:20 AM CCC
I:\AIRPORTS\DECATUR\802-041100\AIRPORT SHEETS\CONTRACT-1\1R-122CON.DWG - Taxiway A