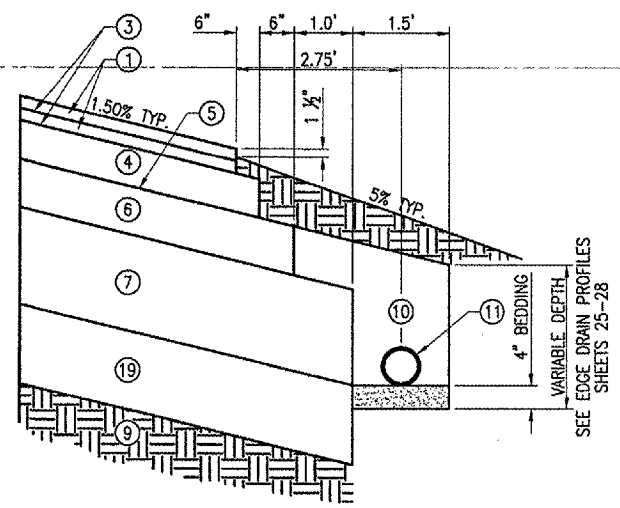
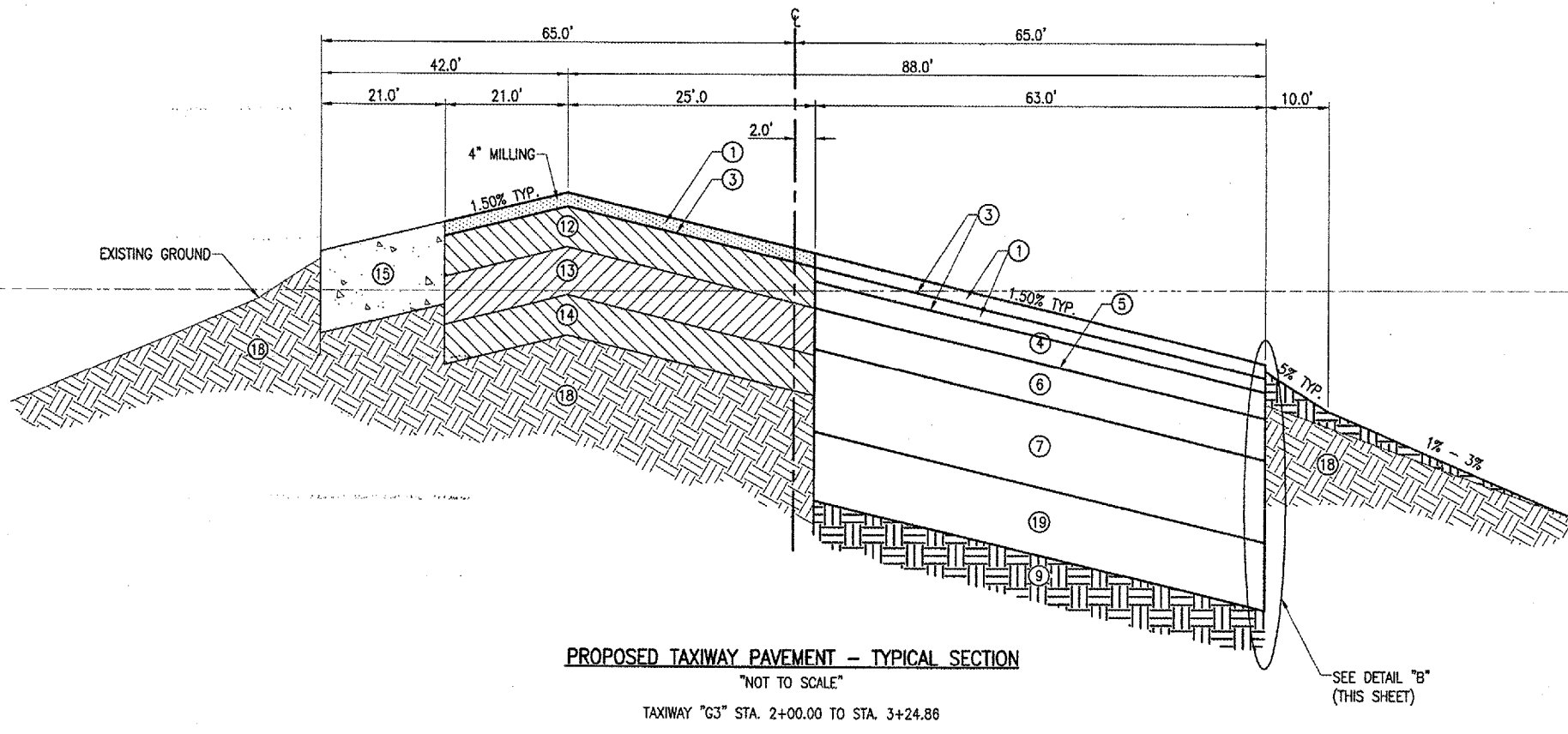
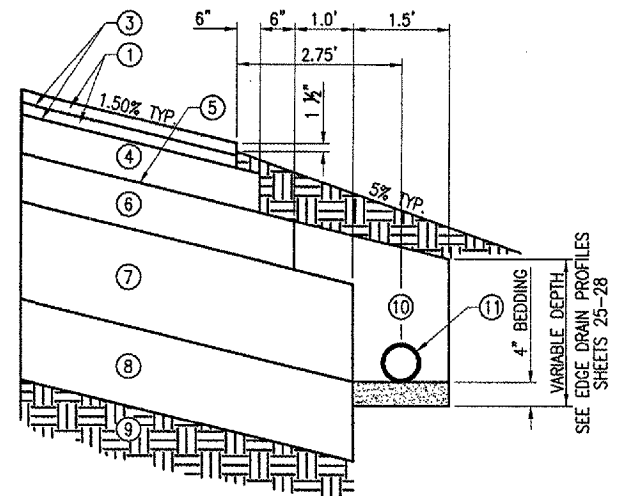
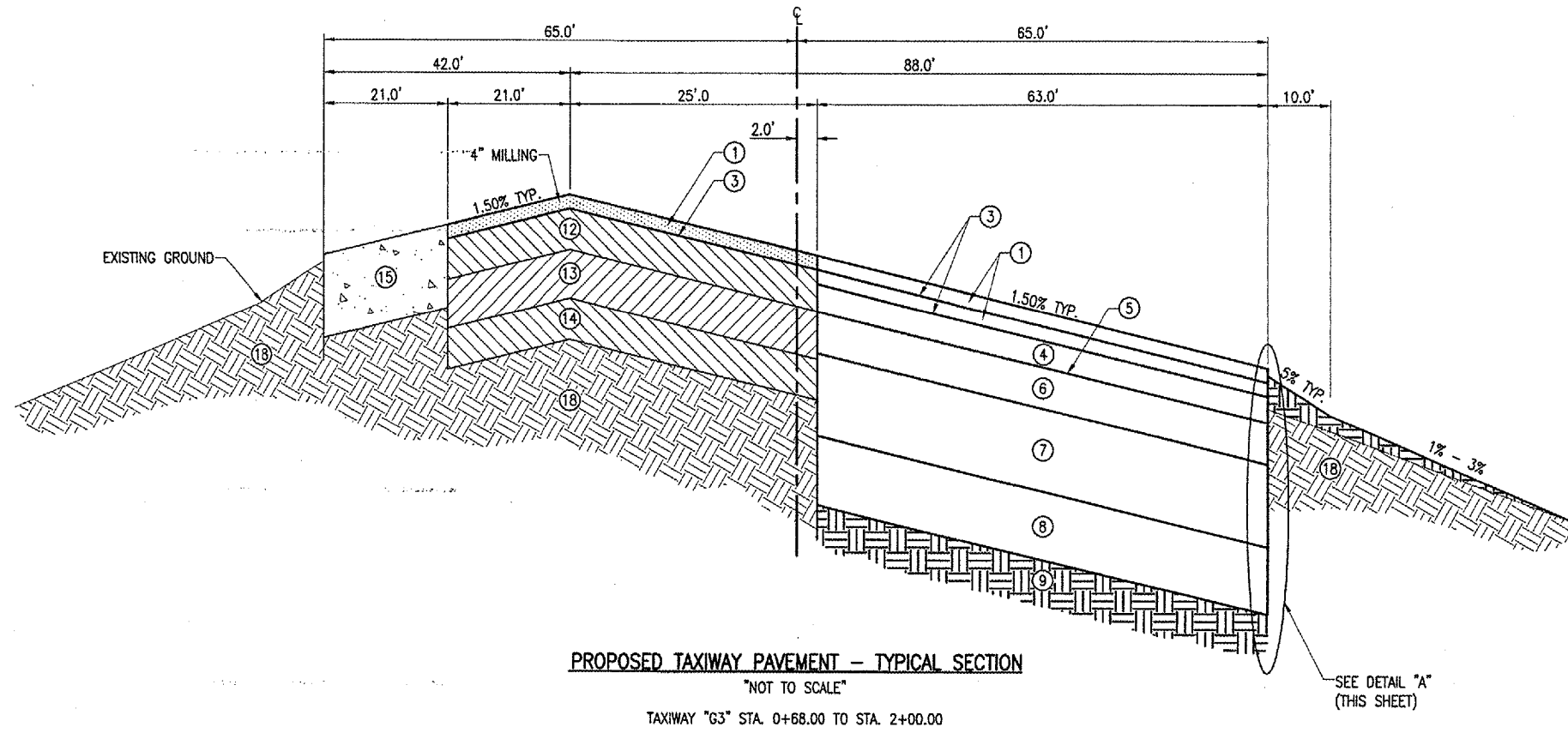


LEGEND FOR TYPICAL SECTION

- ① PROPOSED AR401: BITUMINOUS SURFACE COURSE - 2"
- ③ PROPOSED AR603: BITUMINOUS TACK COAT (RATE PER SPECIFICATION)
- ④ PROPOSED AR201: 10" BITUMINOUS BASE COURSE
- ⑤ PROPOSED AR602: BITUMINOUS PRIME COAT (RATE PER SPECIFICATION)
- ⑥ PROPOSED AR209: 8" CRUSHED AGGREGATE BASE COURSE
- ⑦ PROPOSED AR208: 20" OVERSIZED AGGREGATE
- ⑧ PROPOSED AR155: SOIL PROCESSING - 16"
- ⑨ PROPOSED AR152: COMPACTED SUBGRADE
- ⑩ PROPOSED AR705: POROUS BACKFILL No. 1
- ⑪ PROPOSED AR705: 6" PERFORATED UNDERDRAIN W/SOCK
- ⑫ EXISTING AR201: BITUMINOUS BASE COURSE &
EXISTING AR401: BITUMINOUS SURFACE COURSE
- ⑬ EXISTING AR501: 9" PCC PAVEMENT
- ⑭ EXISTING AR208: 8" AGGREGATE SUBBASE COURSE
- ⑮ EXISTING AR501: 18 1/2" PCC PAVEMENT
- ⑯ EXISTING GROUND
- ⑰ PROPOSED AR208: 8" OVERSIZED AGGREGATE



BY	
REVISION	
DATE	
 HANSON Engineers, Architects, Scientists 1826 South Sixth Street Springfield, Illinois 62703-2885 Offices Nationwide	
PROJECT No.	802-04TYD
File Name	R-521TYP.DWG
Scale	N/A
Date	11/12/04
LAYOUT	
DRAWN	
REVIEWED	06/07/05
TAXIWAY G WIDENING PHASE II PROPOSED TYPICAL SECTIONS TAXIWAY "G3"	
10	
10 of 110 sheets	

JUN 10, 2005 2:01 PM CCC
 I:\AIRPORTS\DECATUR\802-04TYD\AIRPORT_SHEETS\CONTRACT-2\R-521TYP.DWG - Typ. Sections - G3

DECATUR, ILLINOIS
 A.I.P. PROJ.: 3-17-0033-28
 I.L. PROJ.: DEC-3414