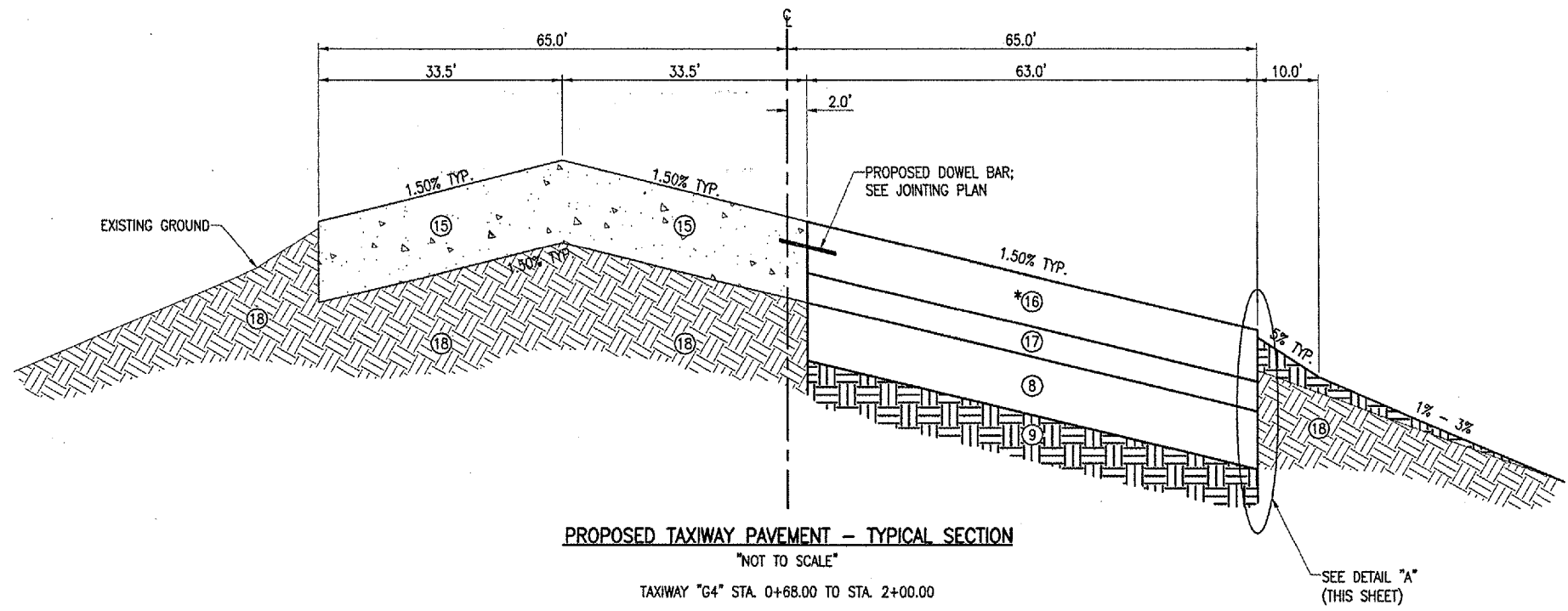
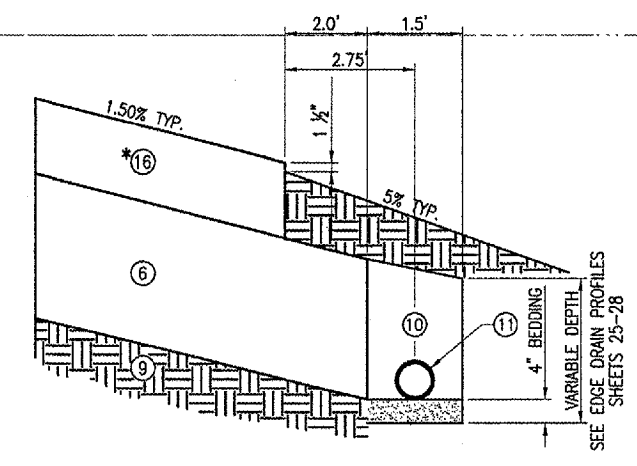
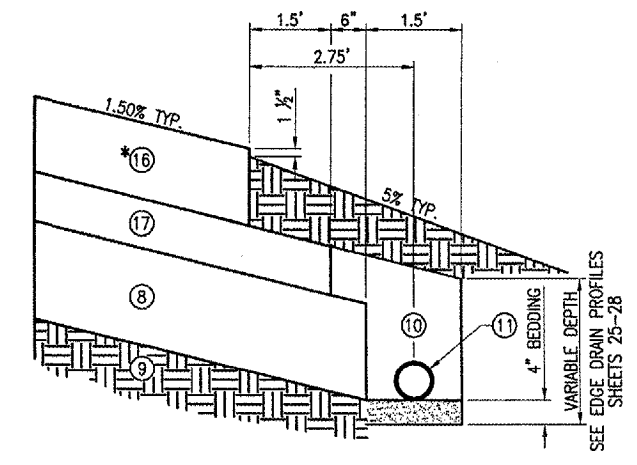
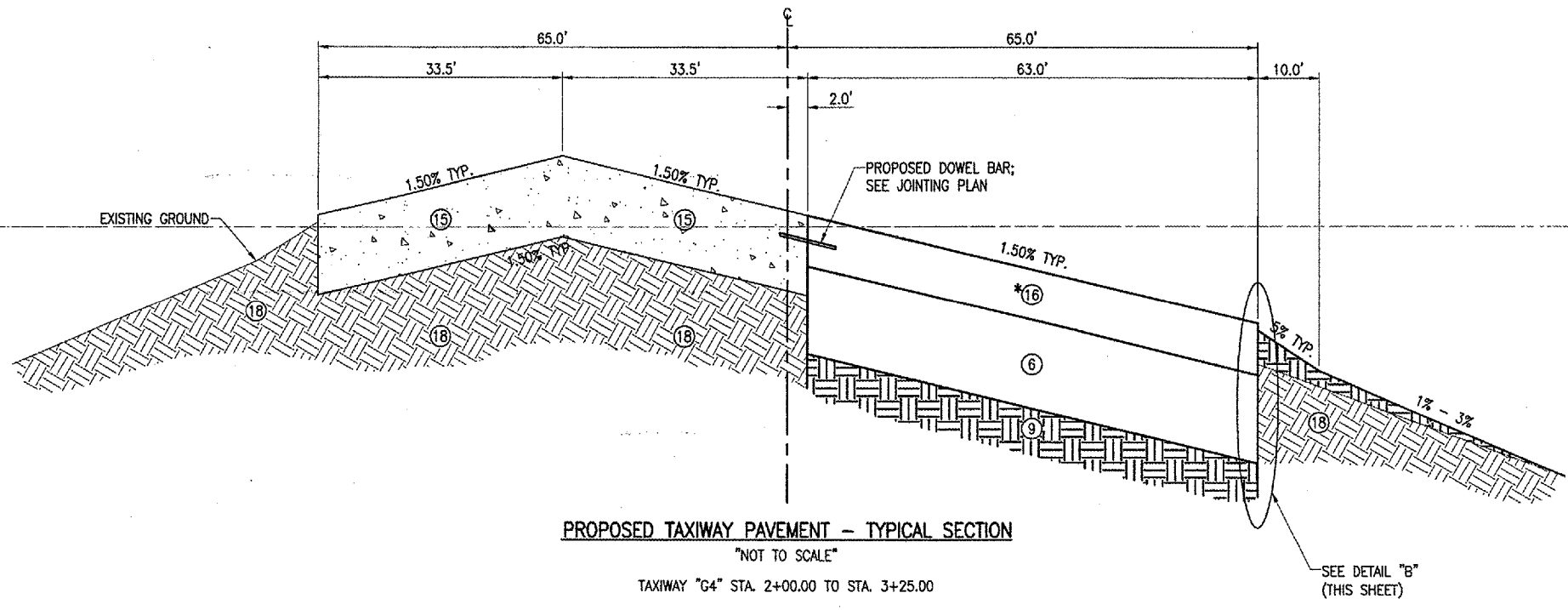


**LEGEND FOR TYPICAL SECTION**

- ⑥ PROPOSED AR209: 8" CRUSHED AGGREGATE BASE COURSE
- ⑧ PROPOSED AR155: SOIL PROCESSING - 16"
- ⑨ PROPOSED AR152: COMPACTED SUBGRADE
- ⑩ PROPOSED AR705: POROUS BACKFILL No. 1
- ⑪ PROPOSED AR705: 6" PERFORATED UNDERDRAIN W/SOCK
- ⑮ EXISTING AR501: 18 1/2" PCC PAVEMENT
- \*⑯ PROPOSED AR501: 14 1/2" PCC PAVEMENT
- ⑰ PROPOSED AR201: 4" BITUMINOUS BASE COURSE
- ⑱ EXISTING GROUND



\* THE CONTRACTOR IS BIDDING ON 14.5" PCC PAVEMENT, EVEN THOUGH THE SCHEDULE OF PRICES IN THE BID DOCUMENTS STATE 14" PCC PAVEMENT.



DATE	REVISION	BY

**DECATUR, ILLINOIS**

IL PROJ.: DEC-3414 A.I.P. PROJ.: 3-17-0033-28

HEB Project No. 802-04TYD	FILENAME R-521TYP.DWG	SCALE N/A	DATE 11/12/04
LAYOUT	DRAWN	REVIEWED	06/07/05

**HANSON**

Engineers, Architects, Scientists  
1000 S. Main Street  
Springfield, Illinois 62703-2886  
Offices Nationwide

TAXIWAY G WIDENING  
PHASE II  
PROPOSED  
TYPICAL SECTIONS  
TAXIWAY "G4"

JUN 10, 2005 2:01 PM CCC I:\AIRPORTS\DECATUR\802-04TYD\AIRPORT SHEETS\CONTRACT-2\A-R-521TYP.DWG - Typ. Sections - G4