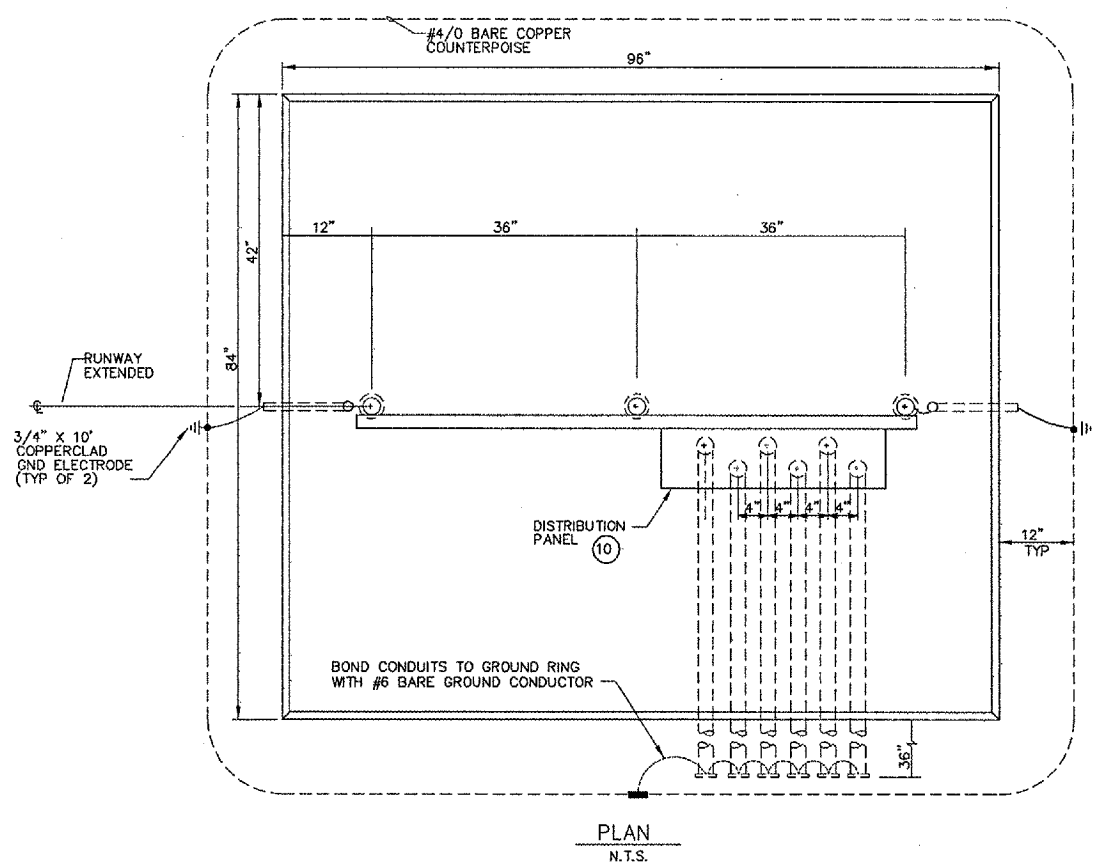
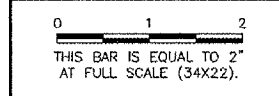
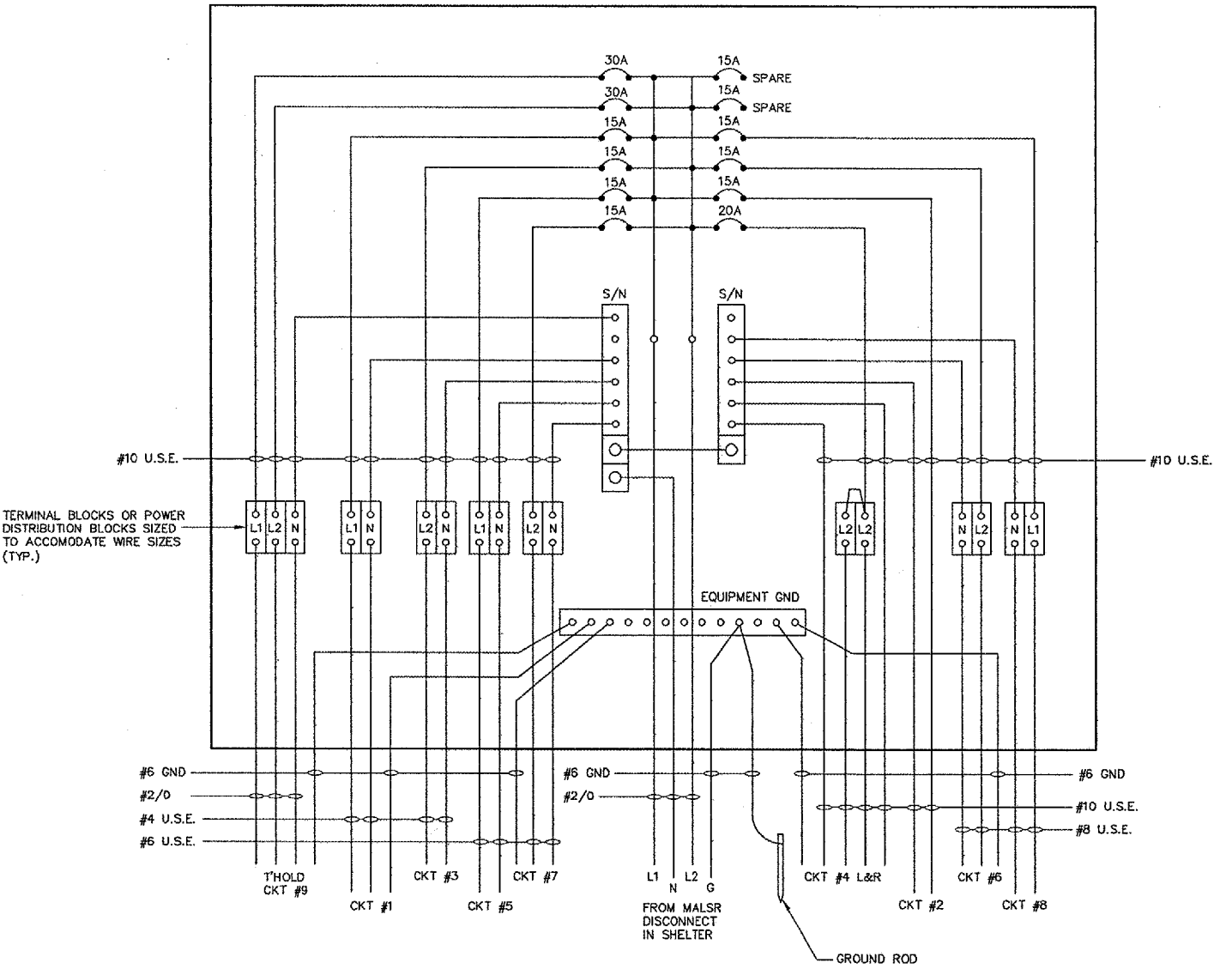


REVISIONS		
NUMBER	BY	DATE



PLAN
N.T.S.

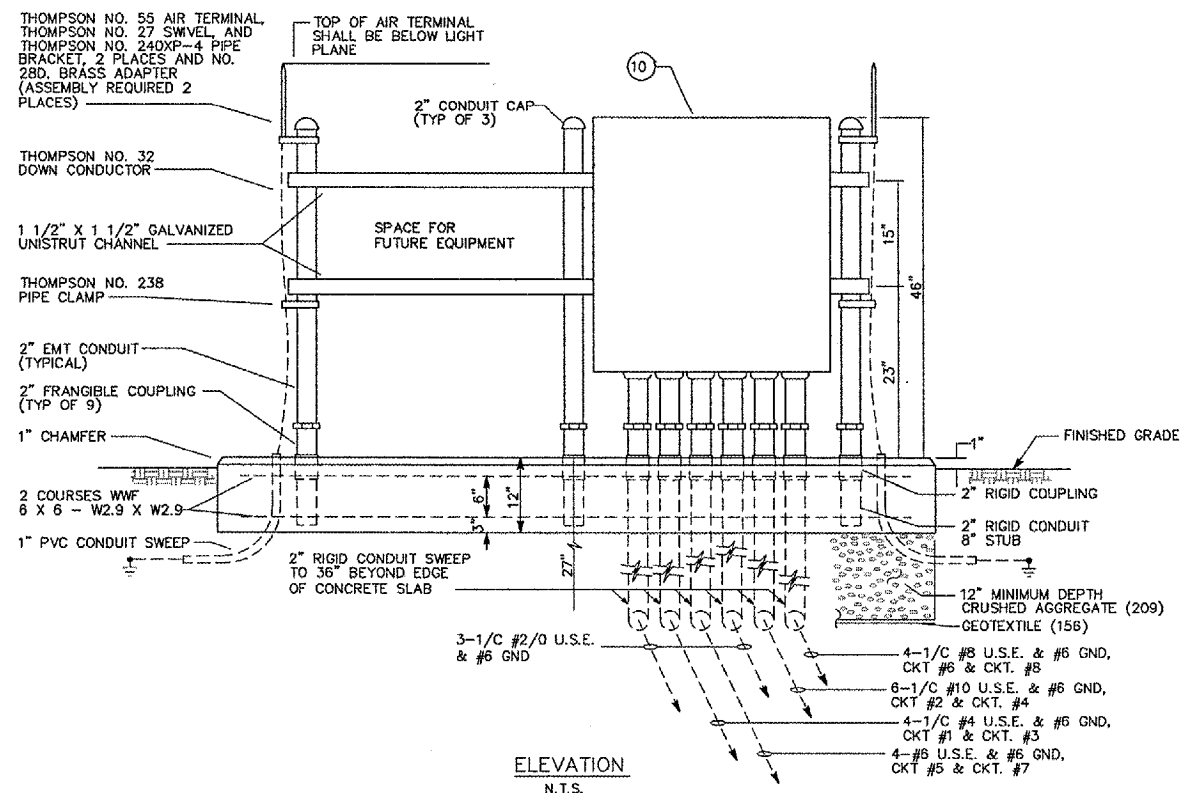


DISTRIBUTION PANEL 10
N.T.S.

NOTE:

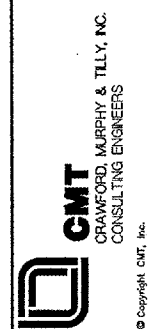
- WHERE SPECIFIC MANUFACTURERS OF EQUIPMENT ARE GIVEN, THE CONTRACTOR MAY SUBMIT ALTERNATE EQUIPMENT EQUAL TO THAT PROPOSED FOR CONSIDERATION BY THE ENGINEER.
- SEE SHEET 15 FOR WIRING DIAGRAM AND FOR SOURCE INFORMATION FOR ITEMS 10.

TYPICAL MALSR WIRING SHOWN. ACTUAL CONFIGURATION AND CONNECTIONS MAY VARY ACCORDING TO SPECIFIC EQUIPMENT MANUFACTURER'S REQUIREMENTS.



ELEVATION
N.T.S.

**FREPORT - ALBERTUS AIRPORT
 FREEPORT, ILLINOIS**
 ILLINOIS PROJECT, FEP-3132 / A.I.P. PROJECT, 3-17-0045-B16
**MALSR DISTRIBUTION
 AND MONITORING RACK**



DESIGN BY:	CMT
DRAWN BY:	CMT
CHECKED BY:	
APPROVED BY:	
DATE:	06/17/05
JOB No:	02294-08