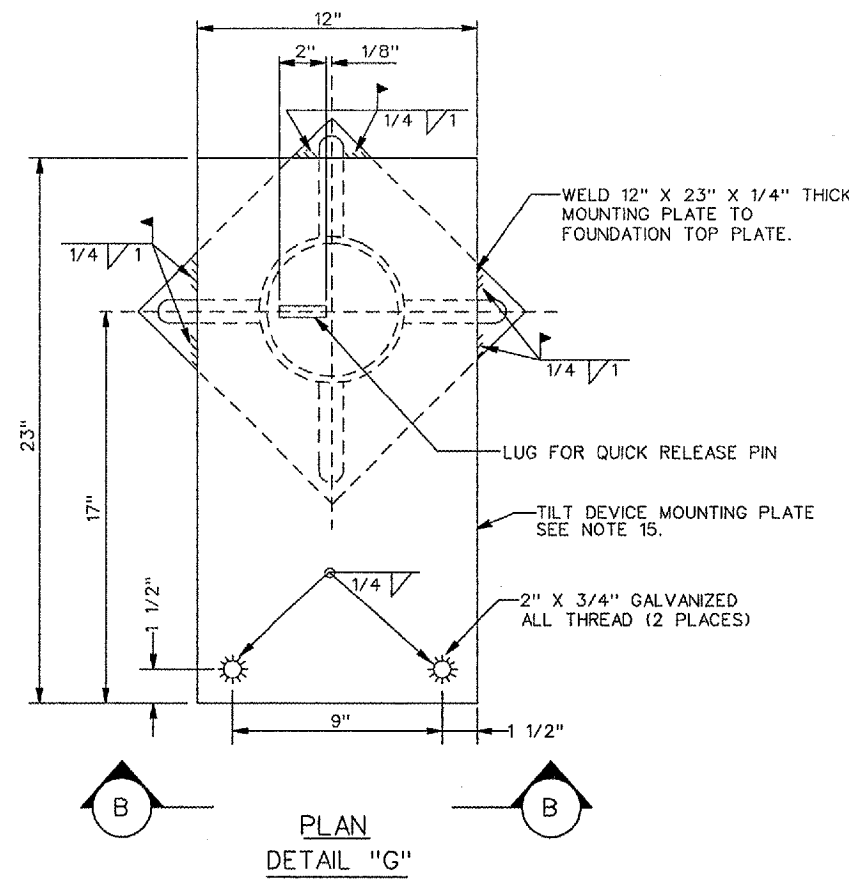
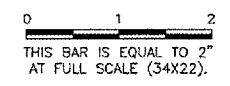
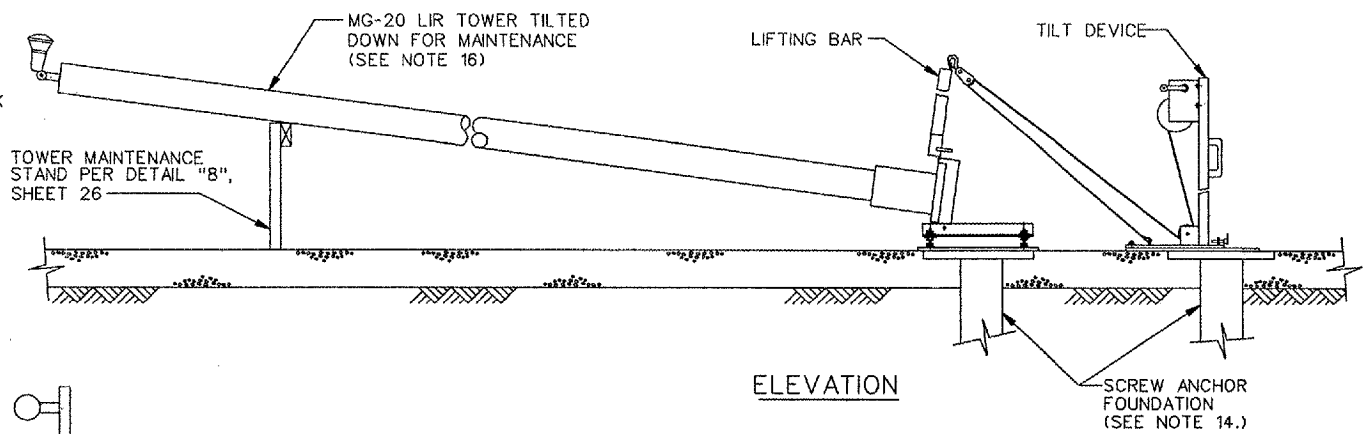


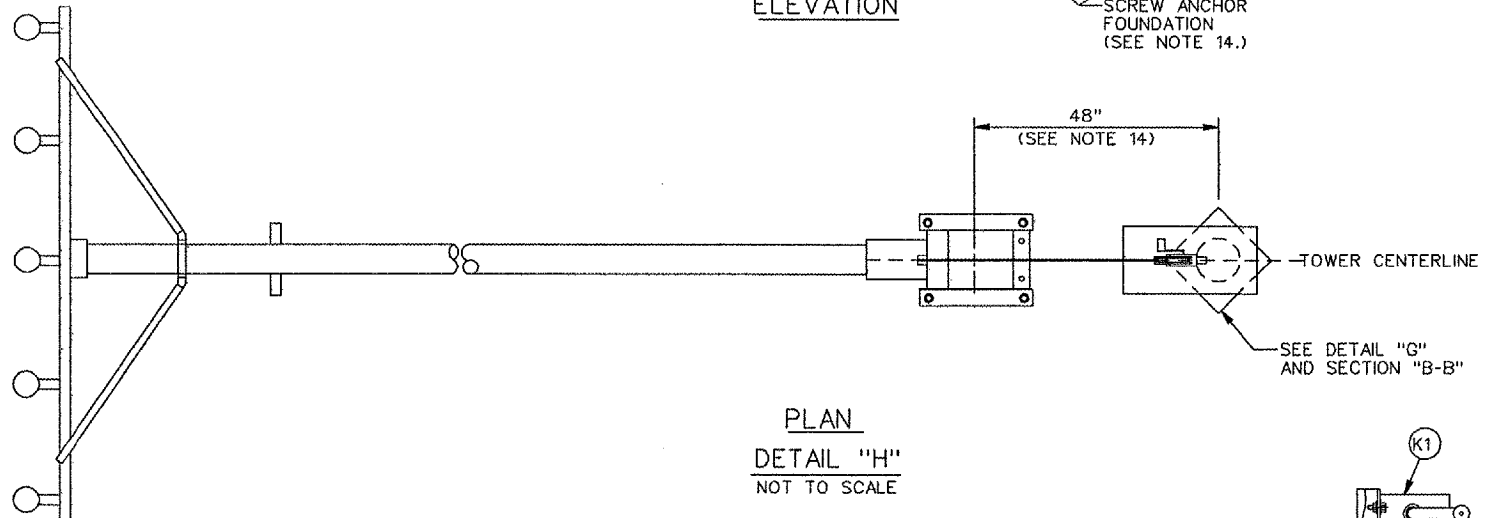
REVISIONS		
NUMBER	BY	DATE



WINCH TILT DEVICE FOUNDATION FOR MG-20 LIR TOWER
 SCALE IN INCHES

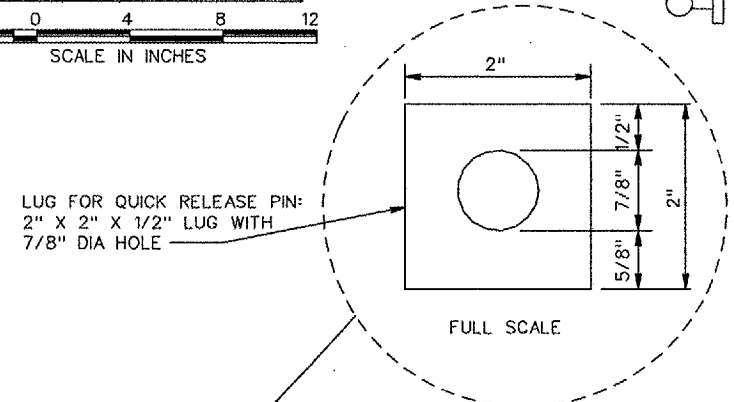


ELEVATION

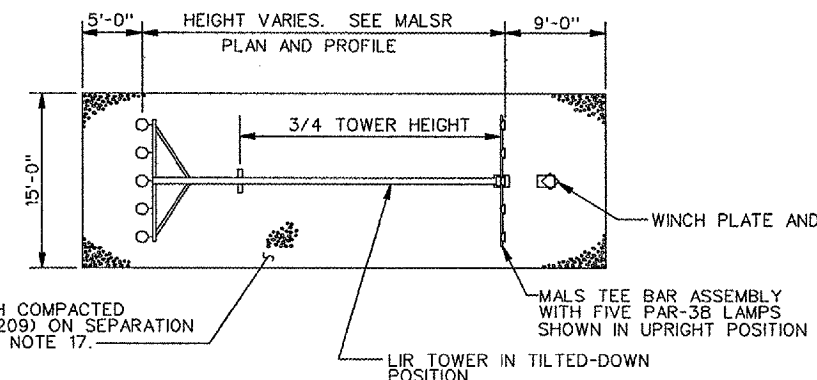


PLAN DETAIL 'H' NOT TO SCALE

WINCH TILT DEVICE FOUNDATION LAYOUT

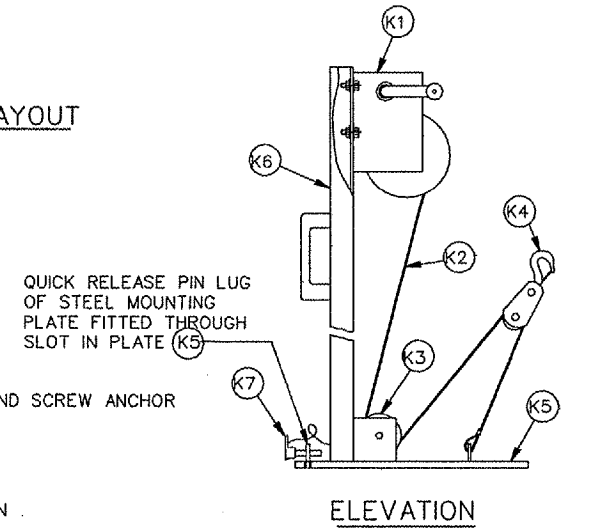


FULL SCALE

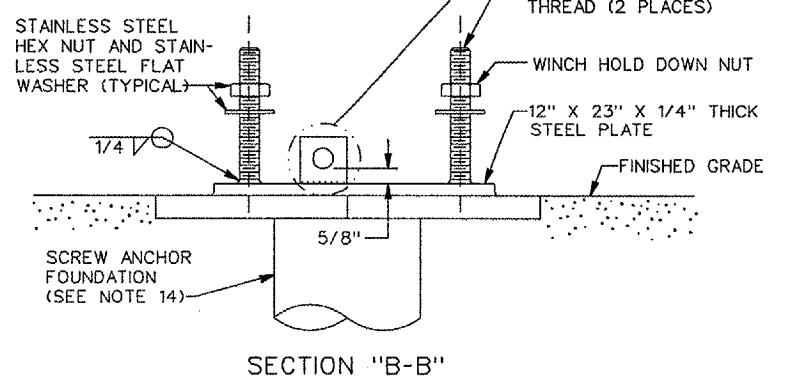


DETAIL 'J' NOT TO SCALE

CRUSHED ROCK MAINTENANCE AREA

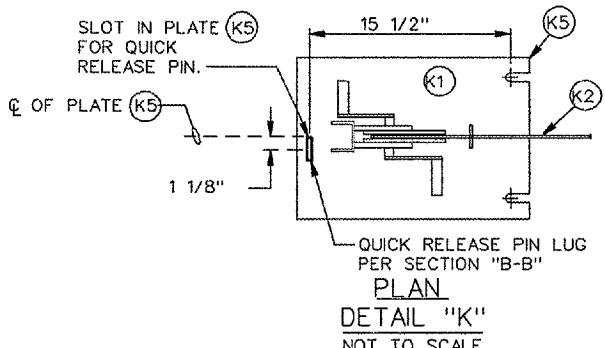


ELEVATION



SECTION 'B-B'

SCALE IN INCHES



PLAN DETAIL 'K' NOT TO SCALE

WINCH TILT DEVICE JAQUITH CAT. NO. L5005

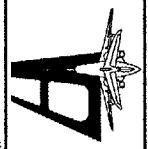
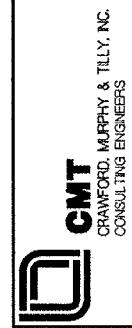
GENERAL NOTES: (CONSTRUCTION) CONSTRUCT THE MALS SUCH THAT:

- THE TILT DEVICE FOUNDATION IS A SCREW ANCHOR FOUNDATION, A.B. CHANCE CAT #T112-0262. SEE SPECIFICATION FAA-GI-318C, SECTION 13D. THE WINCH TILT DEVICE IS LOCATED SO THAT THE STRUCTURE PIVOTS DOWN AWAY FROM THE WINCH.
- THE MOUNTING PLATE IS FABRICATED PER DETAIL "G" AND SECTION "B-B".
- THIS DRAWING ILLUSTRATES THE APPLICATION OF THE TILT DEVICE FOR THE MG-20 LIR TOWER.
- REMOVE TOPSOIL TO A DEPTH OF 8", PLACE SEPARATION FABRIC (156) PLACE AND COMPACT 8" DEPTH OF CRUSHED ROCK (209) FLUSH WITH SURROUNDING GRADE. THE FINISHED CRUSHED ROCK SURFACE SHALL HAVE NO WATER-RETAINING DEPRESSIONS.
- WHERE SPECIFIC MANUFACTURERS OF EQUIPMENT ARE GIVEN, THE CONTRACTOR MAY SUBMIT ALTERNATE EQUIPMENT EQUAL TO THAT PROPOSED FOR CONSIDERATION BY THE ENGINEER.

NUMBERED LEGEND FOR DETAIL "K"

- (K1) WINCH
- (K2) CABLE
- (K3) PULLEY
- (K4) BLOCK W/SAFETY HOOK
- (K5) RECTANGULAR PLATE (ALUM. 12" X 18" X 3/8" APPROX.)
- (K6) CHANNEL (2" X 2" X 1/4" - 36" LONG ALUM.)
- (K7) CAPTIVE QUICK RELEASE PIN

**FREEPORT - ALBERTUS AIRPORT
 FREEPORT, ILLINOIS**
 ILLINOIS PROJECT: FEP-3132 / A.I.P. PROJECT: 3-17-0045-B16
**MALS LIR MG-20 T-BAR TOWER
 SHEET 3**



DESIGN BY:	
DRAWN BY:	
CHECKED BY:	
APPROVED BY:	
DATE:	06/17/05
JOB No:	02294-08