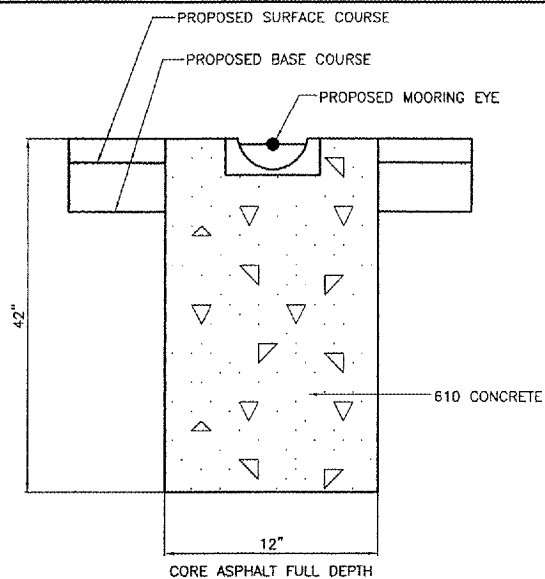


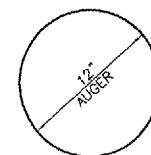
GROUND ROD DETAIL

N.T.S.

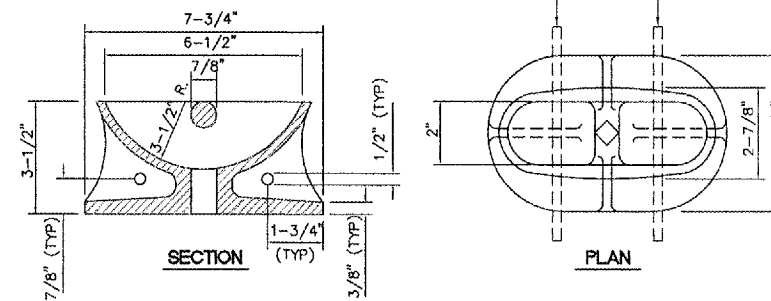


SECTION

MOORING EYE INSTALLATION DETAIL



PLAN



MOORING EYE DETAIL

N.T.S.

NOTES

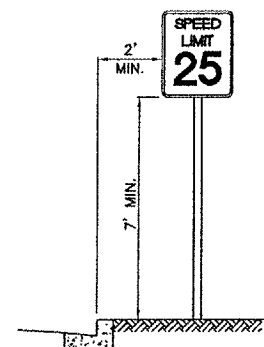
- 1.) MOORING CASTINGS SHALL BE NEENAH SEMI-STEEL AIRPORT MOORING EYE CATALOG NO. R3490 OR APPROVED EQUIVALENT.
- 2.) ANCHOR RODS TO BE NO. 3 DEFORMED REINFORCING STEEL 15" LONG AND SHALL BE BENT DOWNWARD AT 45°.

BARRIER CURB, DEPRESSED CURB AND CURB AND GUTTER TYPE B-6.12 NOTES

1. CONTRACTION JOINTS SHALL BE PLACED AT TEN (10) FOOT MINIMUM ON CENTERS AND SHALL BE SAW CUT TO MINIMUM DEPTH OF TWO (2) INCHES FROM FRONT TO BACK AS SOON AS THE CONCRETE IS SUFFICIENTLY CURED TO ALLOW CUTTING. AS A MAXIMUM, THE CURB SHALL BE SAWED WITHIN TWENTY-FOUR (24) HOURS OF CONCRETE PLACEMENT. CONTRACTION JOINTS SHALL BE FILLED WITH GRAY NP1 OR EQUIVALENT.
2. EXPANSION JOINTS SHALL BE CONSTRUCTED AT A 50' MAXIMUM SPACING.
3. ALL CURBS SHALL BE CURED AND PROTECTED TO THE REQUIREMENTS OF ARTICLE 606 OF THE STATE OF ILLINOIS "STANDARD SPECIFICATIONS FOR ROAD AND BRIDGE CONSTRUCTION" LATEST EDITION. MEMBRANE CURING WITH W.R. MEADOWS CS 309, OR APPROVED EQUAL, WILL BE ALLOWED WITH A WHITE FUGITIVE DYE, AS PER TYPE II MEMBRANE CURING.
4. CURB AND GUTTER SHALL HAVE A LIGHT BROOM FINISH.
5. EXPANSION JOINTS SHALL ALSO BE PLACED AT ALL POINTS OF CURVATURE, AT 5' EACH SIDE OF ALL DRAINAGE STRUCTURES, AT THE END OF THE DAYS POUR, OR AS DIRECTED BY THE ENGINEER.
6. TWO (2) NO. 5 REBARS (TEN) 10' LONG SHALL BE PLACED ON EITHER SIDE OF ALL PROPOSED UTILITY TRENCHES.
7. THREE (3) NO. 5 REBARS SPACED 5' APART SHALL BE PLACED THE LENGTH OF ALL DEPRESSED CURB.

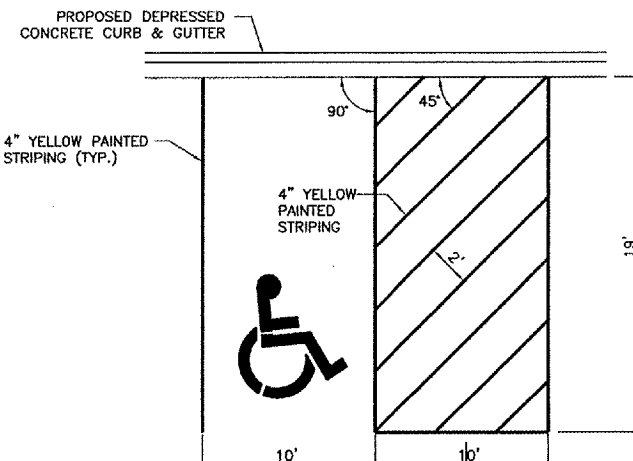
SIDEWALK RAMPS

1. SIDEWALK RAMPS ACCESSIBLE TO THE DISABLED SHALL BE PROVIDED AT ALL LOCATIONS WHERE THE FUTURE SIDEWALK MEETS THE PROPOSED CURB AND GUTTER AND SHALL BE CONSTRUCTED IN ACCORDANCE WITH SECTION 424 OF THE STANDARD SPECIFICATIONS AND STANDARD 424001. THIS WORK SHALL BE PAID FOR AS PORTLAND CEMENT CONCRETE SIDEWALK.



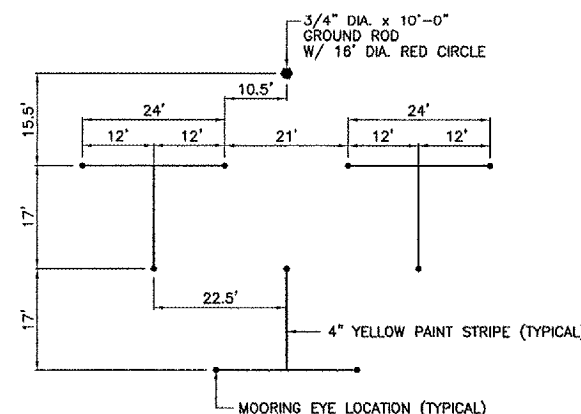
POST MOUNTED SIGN LOCATION DETAIL

NO SCALE



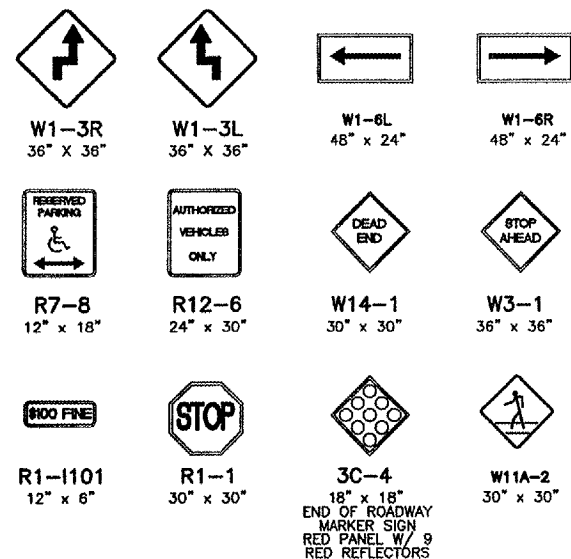
HANDICAP PARKING STALL STRIPING DETAIL

NO SCALE



TIEDOWN DETAIL

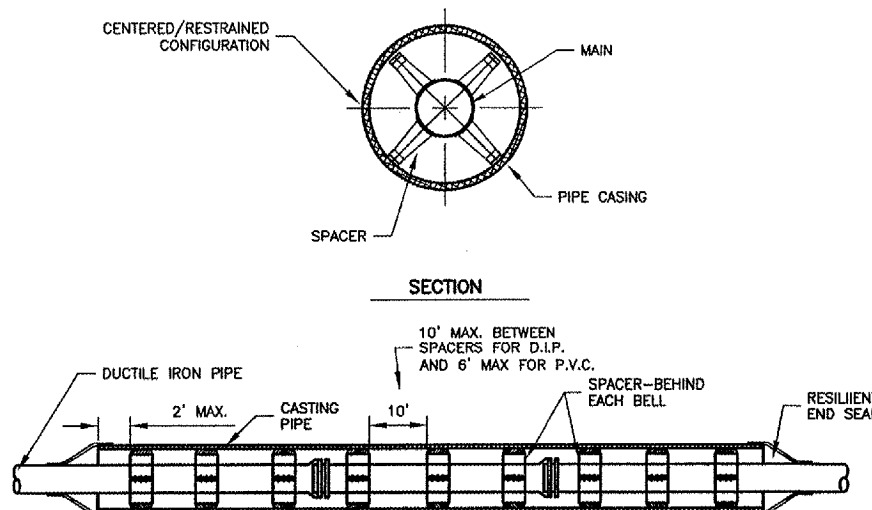
NO SCALE



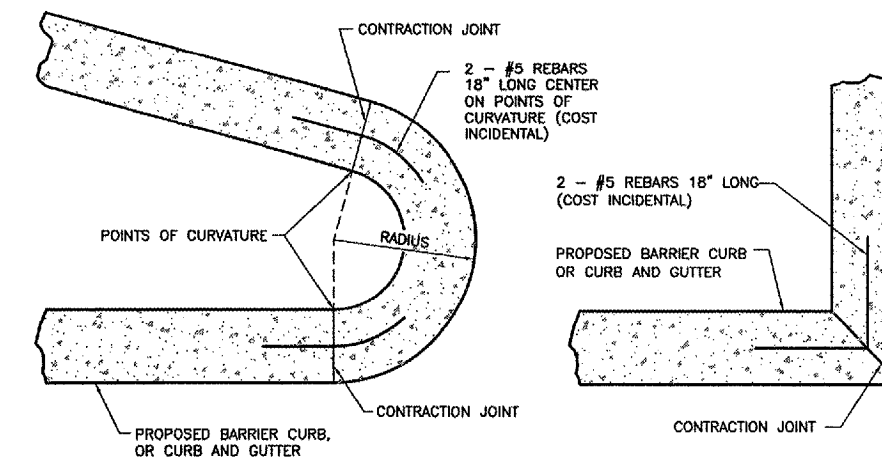
SIGN LEGEND

NO SCALE

- NOTE: 1. ALL SIGNS ARE STANDARD MATERIALS, COLORS AND LETTER STYLE AND SIZE AS SHOWN IN THE "MANUAL OF UNIFORM TRAFFIC CONTROL DEVICES", 2001 EDITION.
2. SIGN R7-1101 (\$100 FINE) TO BE INSTALLED UNDER ALL SIGNS R7-8. (COST INCIDENTAL)



CASING SPACER DETAIL



ISLAND RADII REINFORCEMENT DETAIL

N.T.S.

INSTALL TIE BARS IN LIEU OF DOWEL BARS WHEN RADII ARE 7.5' AND LESS.

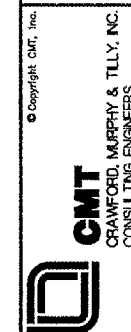
CORNER REINFORCEMENT DETAIL

N.T.S.

REINFORCEMENTS SHALL BE INSTALLED AT ALL CORNERS.

LANSING MUNICIPAL AIRPORT
 LANSING, ILLINOIS
 NORTH QUADRANT SITEWORK - PHASE 1
 AND TAXIWAY G2 EXTENSION

MISCELLANEOUS DETAILS



| | |
|--------------|----------|
| DESIGN BY: | ARM |
| DRAWN BY: | JRO |
| CHECKED BY: | ARM |
| APPROVED BY: | |
| DATE: | 03/04/05 |
| JOB No: | 03297-02 |

IL PROJECT: IGQ-3329
 A.I.P. PROJECT: 3-17-0121-B21