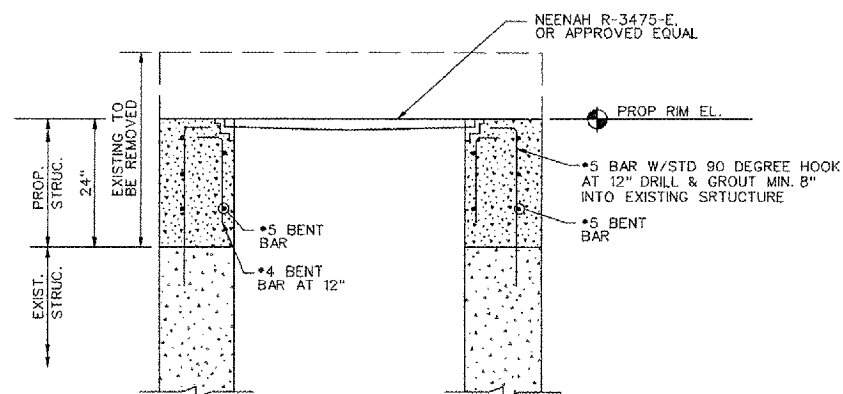


NUMBER	BY	DATE

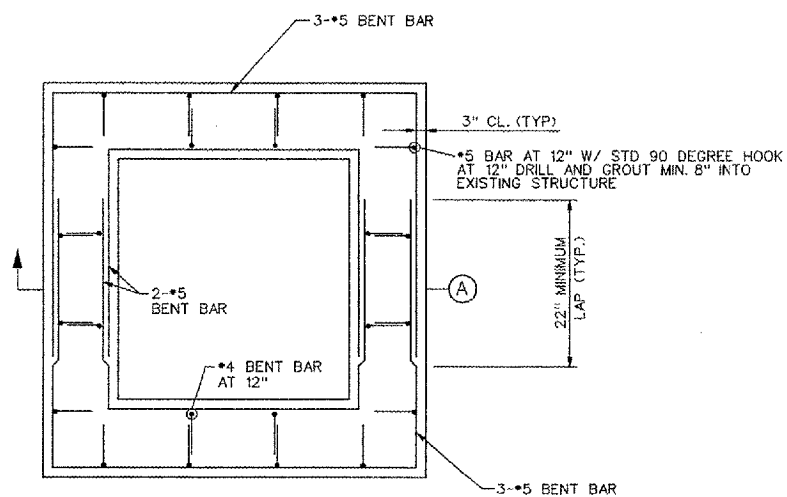
STRUCTURE	EXISTING RIM EL.	PROPOSED RIM EL.
INLET #9	653.16	650.50

GENERAL NOTES:

1. CONCRETE SHALL HAVE A MINIMUM 28 DAY COMPRESSIVE STRENGTH OF 4000 PSI.
2. ALL REINFORCEMENT SHALL CONFORM TO ASTM-A615, GRADE 60.
3. ALL CONCRETE WORK SHALL CONFORM TO ACI-318-02.
4. SAWCUT EXIST. CONCRETE AT LOCATIONS OF PROPOSED STRUCTURE.
5. EXPOSED TOP SURFACE TO RECEIVE A BROOM FINISH.
6. REMOVE THE EXISTING TOP TO A DEPTH OF 24" BELOW THE PROPOSED TOP GRADE.



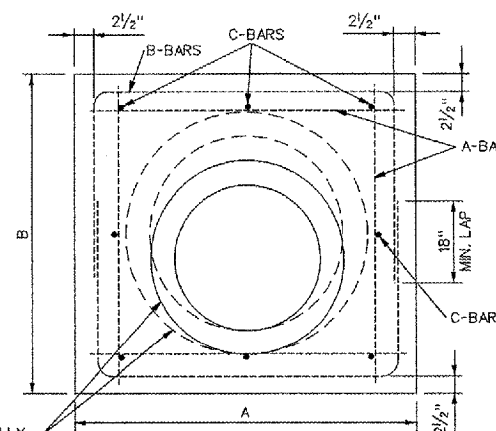
A SECTION



1 INLET ADJUSTMENT DETAIL
NOT TO SCALE

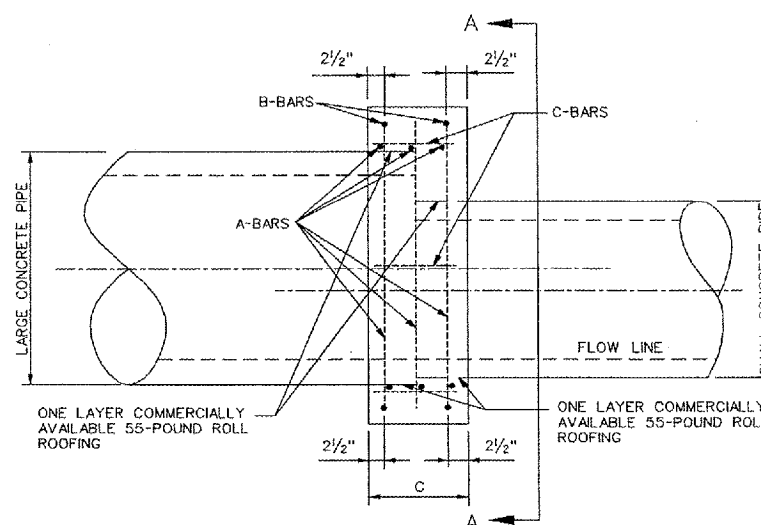
TABLE OF DIMENSIONS

SIZE OF PIPE		DIMENSIONS		LENGTH OF BARS			QUANTITIES	
LARGE IN.	SMALL IN.	A & B FT-IN	C FT-IN	A(*5) 12 REQ'D FT-IN	B(*6) 4 REQ'D FT-IN	C(*4) 8 REQ'D FT-IN	CONC. CU.YD.	STEEL LBS.
12	12	2-8	1-0	2-5	5-10	0-8	0.21	70
15	15	3-0	1-0	2-9	6-6	0-9	0.27	77
							0.25	
18	18	3-3	1-0	3-0	7-0	0-9	0.33	84
							0.32	
							0.30	
21	21	3-6	1-0	3-3	7-6	0-9	0.36	90
							0.34	
							0.33	
24	24	3-10	1-0	3-6	8-2	0-9	0.44	97
							0.40	
							0.36	
30	30	4-5	1-4	4-2	9-4	1-0	0.71	114
							0.66	
							0.60	
36	36	5-0	1-4	4-9	10-6	1-0	0.88	128
							0.79	
							0.76	
42	42	5-7	1-4	5-4	11-8	1-0	1.05	142
							0.98	
							0.89	
48	48	6-2	1-4	6-0	12-10	1-0	1.22	158
							1.13	
							1.03	
54	54	7-1	1-8	6-9	14-8	1-6	2.02	181
							1.90	
							1.76	
60	60	7-8	1-8	7-5	15-10	1-6	2.27	196
							2.13	
							1.97	
66	66	8-3	2-0	8-0	17-0	1-9	3.04	210
							2.85	
							2.65	
72	72	8-10	2-0	7-7	18-2	1-9	3.36	225
							3.16	
							2.93	



SECTION A-A

ONE LAYER COMMERCIALY AVAILABLE 55-POUND ROLL ROOFING



ELEVATION

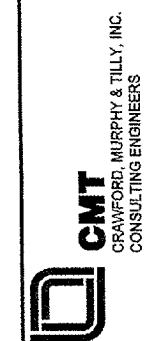
(FOR CONCRETE PIPE TO CONCRETE PIPE)
TYPE A COLLAR

ONE LAYER COMMERCIALY AVAILABLE 55-POUND ROLL ROOFING

ONE LAYER COMMERCIALY AVAILABLE 55-POUND ROLL ROOFING



RELOCATE TAXIWAY A FROM MID-FIELD INTERSECTION



IL PROJECT: PIA-3343
AIP PROJ: 3-17-0080-XX

FILE: k:\peoria\0406103\drawings\022_drainage_r

DESIGN BY: JDJ

DRAWN BY: JSP

CHECKED BY: JDJ

APPROVED BY: CET

DATE: JUNE 24, 2005

JOB No: 04061-03

DRAINAGE DETAILS
SHEET 2 OF 5

SHEET 22 OF 43 SHEETS