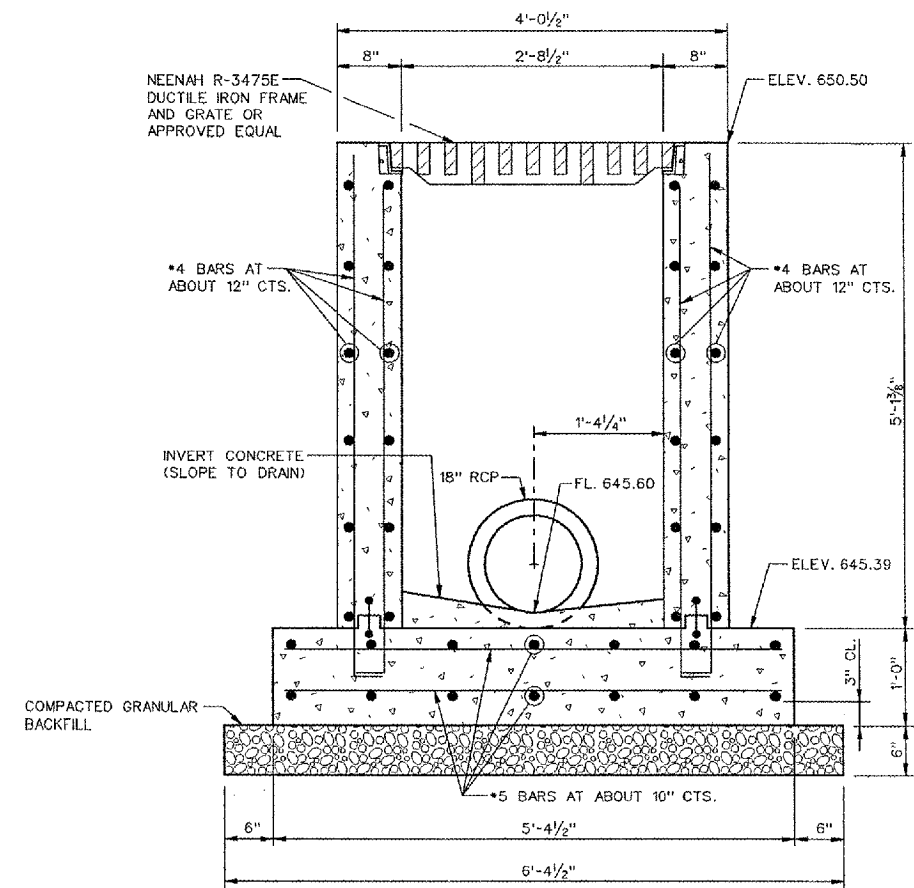
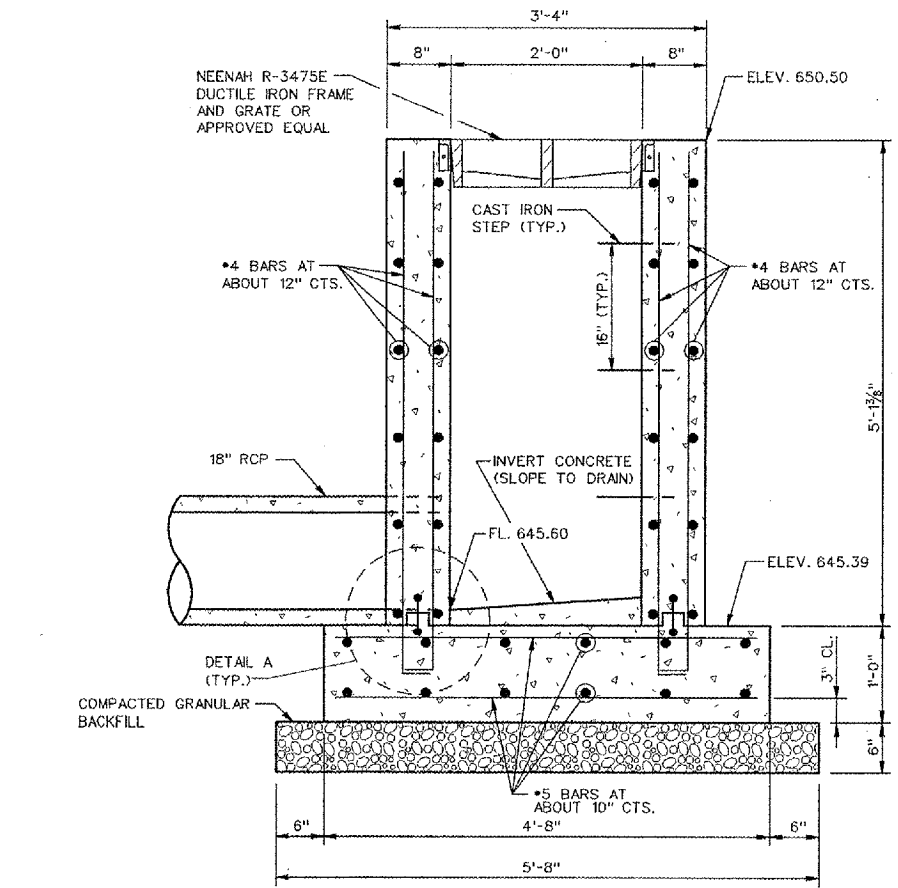
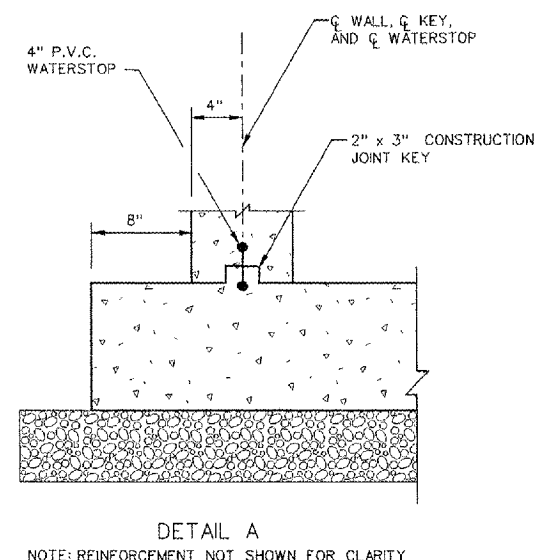
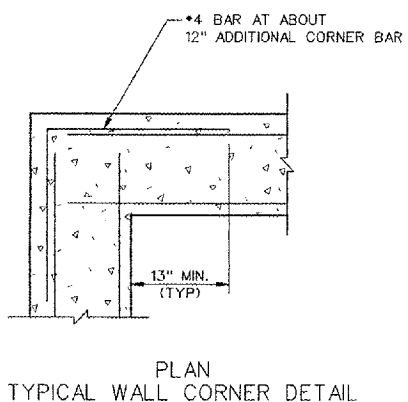
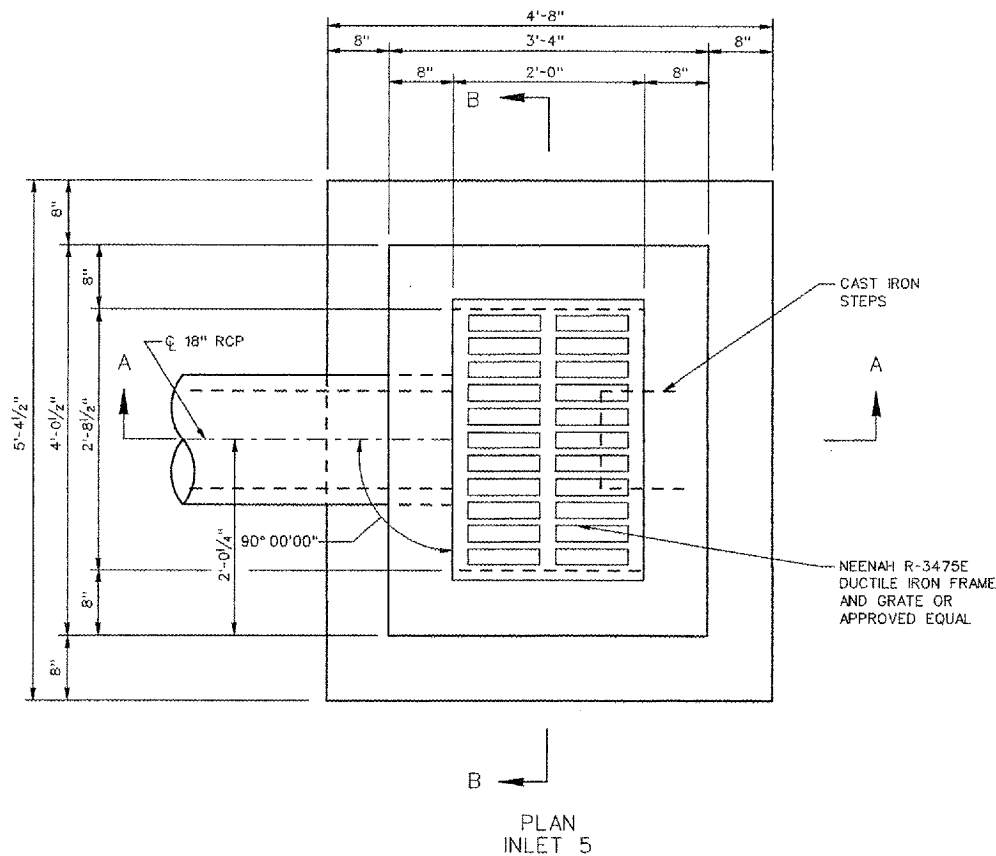


NUMBER	BY	DATE

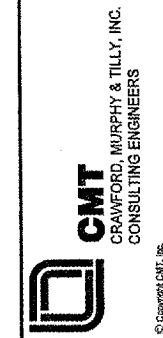


- NOTES:
1. CAST IN PLACE CONCRETE SHALL HAVE A MINIMUM 28 DAY COMPRESSIVE STRENGTH OF 3000 PSI.
 2. ALL REINFORCEMENT SHALL BE ASTM A615 GRADE 60.
 3. REINFORCING BARS SHALL BE CUT AND/OR BENT AT ALL OPENINGS TO MAINTAIN 1" CLEARANCE FROM PIPES.
 4. MINIMUM CLEARANCE TO REINFORCING STEEL SHALL BE 1/2" UNLESS OTHERWISE SHOWN.
 5. ALL CONCRETE WORK SHALL CONFORM TO ACI-318-02.

NOTE: THIS DRAWING IS NOT TO SCALE. FOLLOW DIMENSIONS.



RELOCATE TAXIWAY A FROM MID-FIELD INTERSECTION



IL PROJECT: PIA-3343
AIP PROJ: 3-17-0080-XX

DESIGN BY: JDJ
DRAWN BY: JSP
CHECKED BY: JDJ
APPROVED BY: CET
DATE: JUNE 24, 2005
JOB No: 04061-03

DRAINAGE DETAILS
SHEET 3 OF 5

06/23/2005 k:\peoria\0406103\drawsheets\023_drainage_details_7.dgn