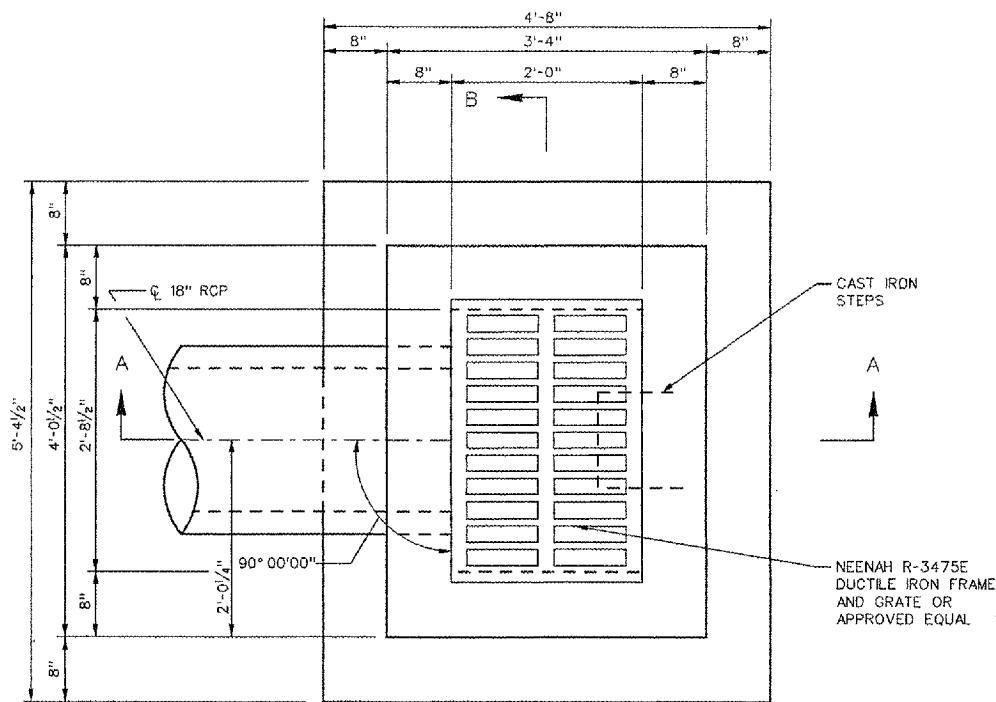
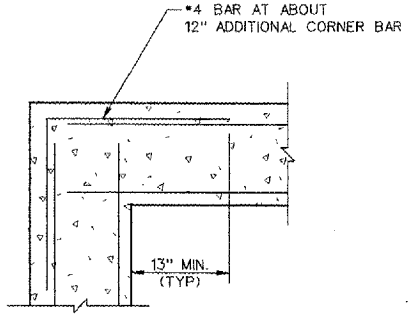


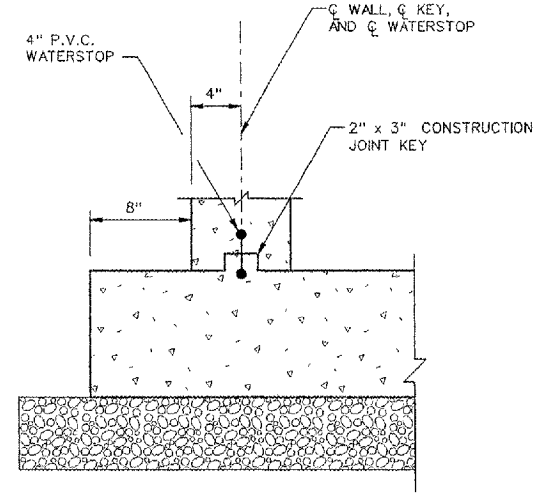
NUMBER	BY	DATE



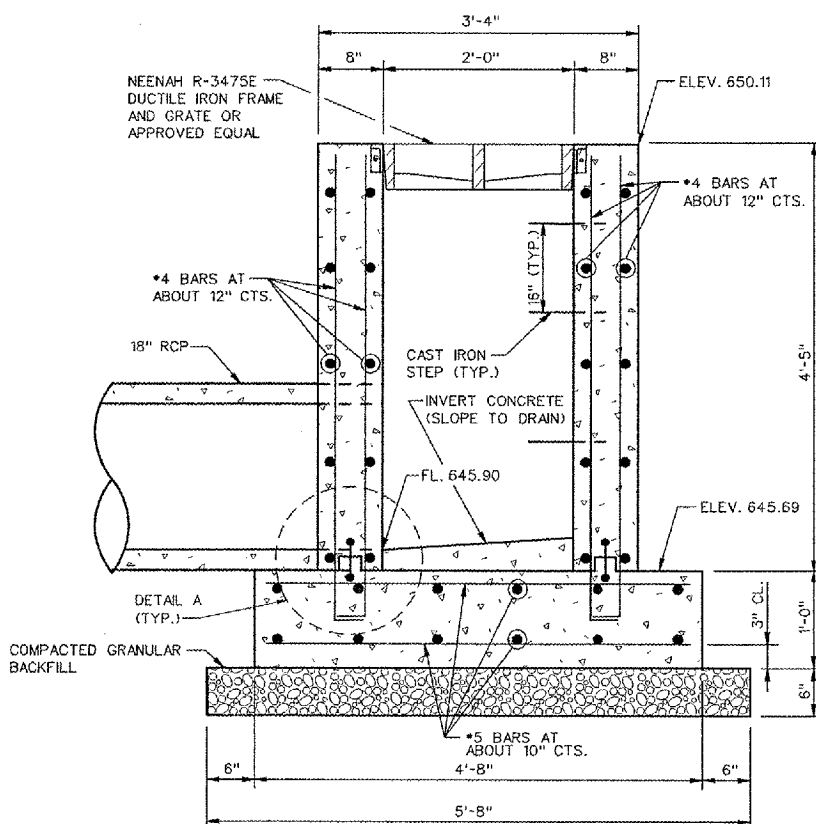
PLAN INLET 6



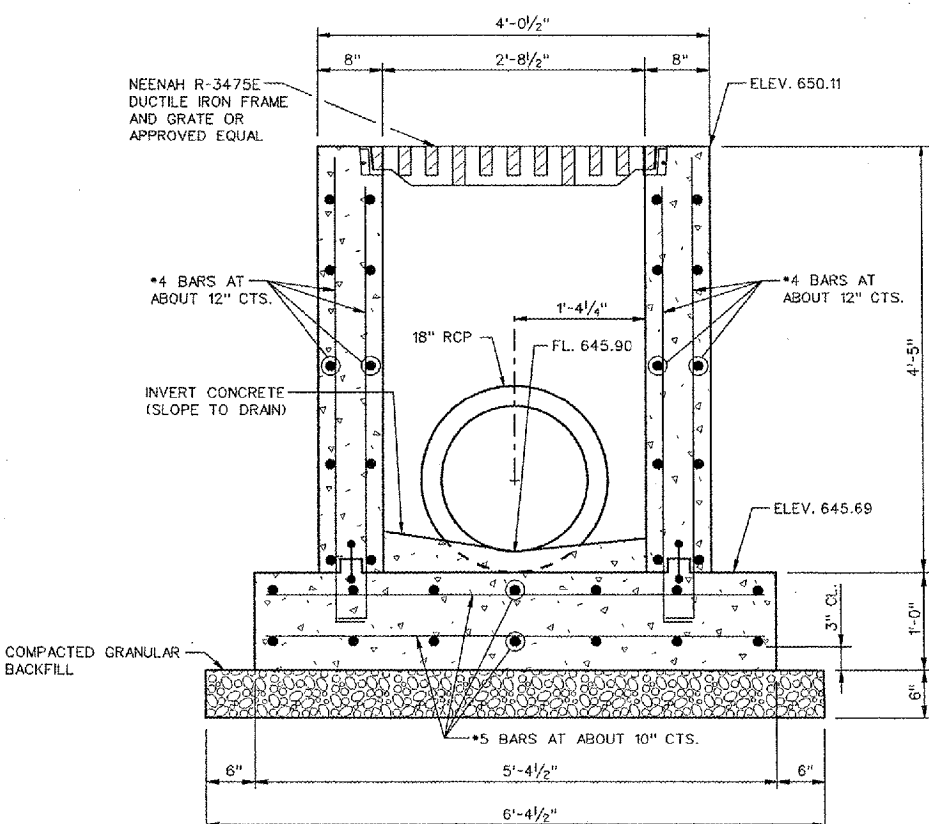
TYPICAL WALL CORNER DETAIL



DETAIL A  
NOTE: REINFORCEMENT NOT SHOWN FOR CLARITY



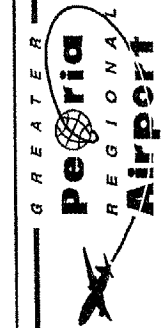
SECTION A-A



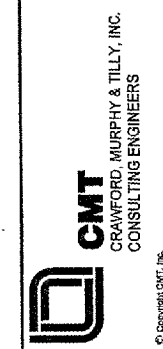
SECTION B-B

- NOTES:
1. CAST IN PLACE CONCRETE SHALL HAVE A MINIMUM 28 DAY COMPRESSIVE STRENGTH OF 3000 PSI.
  2. ALL REINFORCEMENT SHALL BE ASTM A615 GRADE 60.
  3. REINFORCING BARS SHALL BE CUT AND/OR BENT AT ALL OPENINGS TO MAINTAIN 1" CLEARANCE FROM PIPES.
  4. MINIMUM CLEARANCE TO REINFORCING STEEL SHALL BE 1/2" UNLESS OTHERWISE SHOWN.
  5. ALL CONCRETE WORK SHALL CONFORM TO ACI-318-02.

NOTE: THIS DRAWING IS NOT TO SCALE. FOLLOW DIMENSIONS.



RELOCATE TAXIWAY A FROM MID-FIELD INTERSECTION



IL PROJECT: PIA-3343  
AIP PROJ: 3-17-0080-XX

DESIGN BY: JDJ  
DRAWN BY: JSP  
CHECKED BY: JDJ  
APPROVED BY: CET  
DATE: JUNE 24, 2005  
JOB No: 04061-03

DRAINAGE DETAILS  
SHEET 4 OF 5

SHEET 24 OF 43 SHEETS

06/23/2005 k:\peoria\0406103\draws\sheet1024\_drainage\_details\_8.dgn