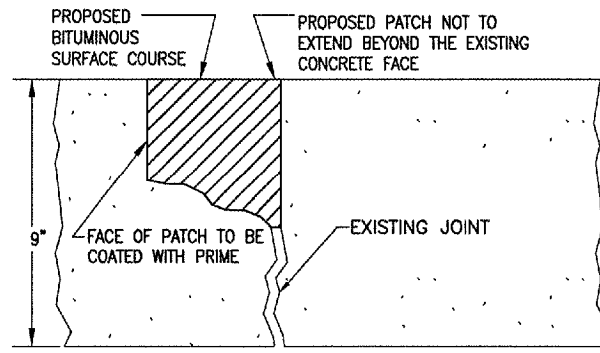


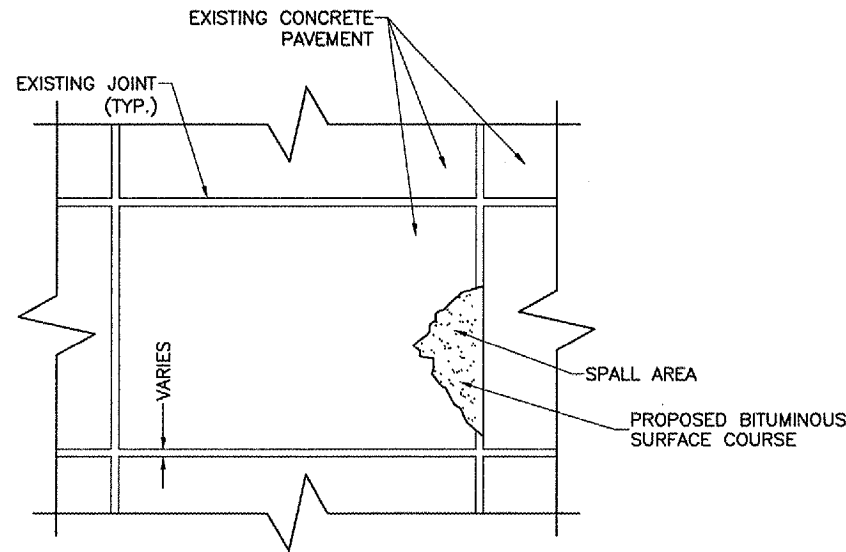
MILLING FOR BUTT JOINT

SECTION VIEW
NOT TO SCALE



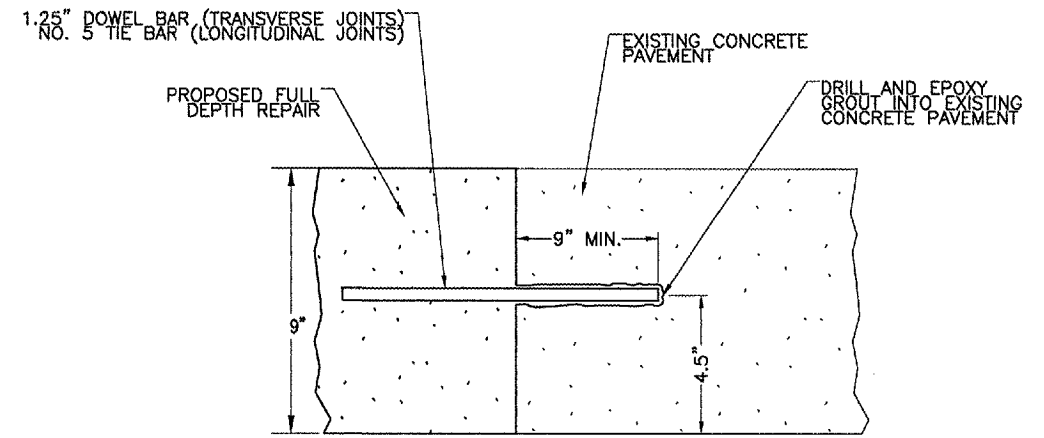
PARTIAL DEPTH SPALL REPAIR

SECTION VIEW
NOT TO SCALE



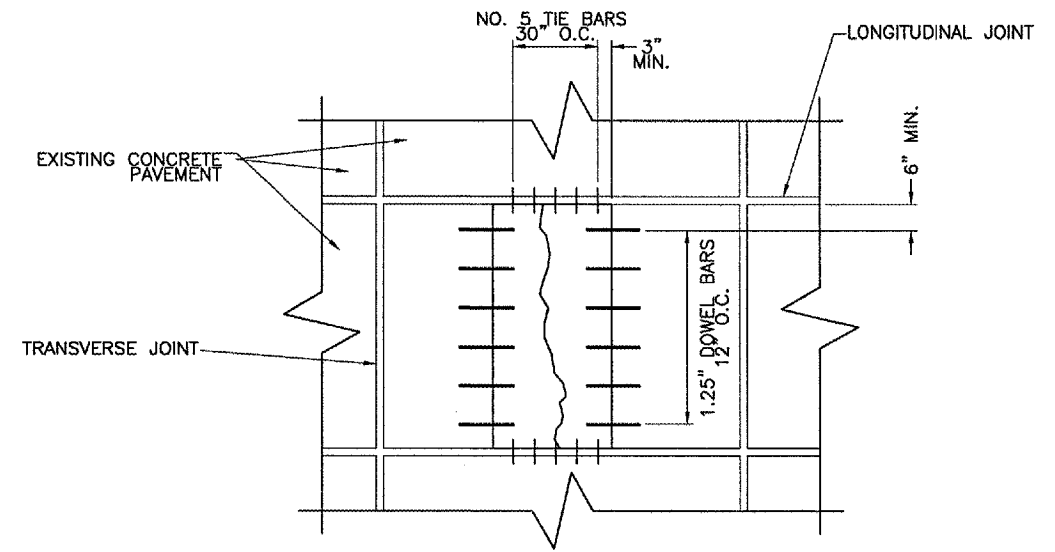
PARTIAL DEPTH SPALL REPAIR

PLAN VIEW
NOT TO SCALE



PAVEMENT REMOVAL & REPLACEMENT

SECTION VIEW
NOT TO SCALE



PAVEMENT REMOVAL & REPLACEMENT

PLAN VIEW
NOT TO SCALE

IF THE REMOVAL AND REPLACEMENT REQUIRES RECONSTRUCTION OF AN EXISTING EXPANSION JOINT, THE JOINT SHALL BE CONSTRUCTED TO THE DIMENSIONS AND MATERIALS TO MATCH THE EXISTING CONDITIONS.

GENERAL NOTE:

REFER TO THE SPECIAL PROVISIONS FOR SPECIFIC REQUIREMENTS, CONSTRUCTION METHODS AND MATERIAL SPECIFICATIONS ASSOCIATED WITH THESE DETAILS.

REVISION	DATE	BY

QUINCY REGIONAL AIRPORT
BALDWIN FIELD
ADAMS COUNTY, ILLINOIS

IL PROJ.: UN-3336 A.I.P. PROJ.: 3-17-0085-XX

REV. Project No. 82405GRKD	FILENAME R-401DET.DWG	DATE 6/22/05	DATE 6/22/05
SCALE DINA	DATE 6/22/05	LAYOUT DAK	DATE 6/28/05
DATE 6/22/05	DATE 6/22/05	DRAWN DAK	DATE 6/28/05
		REVIEWED JDW	DATE 7/1/05

HANSON

Hanson Professional Services Inc.
1525 South Sixth Street
Springfield, Illinois 62705-2886
Offices Nationwide

REHABILITATE
RUNWAY 18-36

CONSTRUCTION
DETAILS

JUL 01, 2005 4:14 PM DAK
L:\AIRPORTS\17\QUINCY\22405GRKD\AIRPORT\HEETS\A-401DET.DWG - Layout2 - Layout1