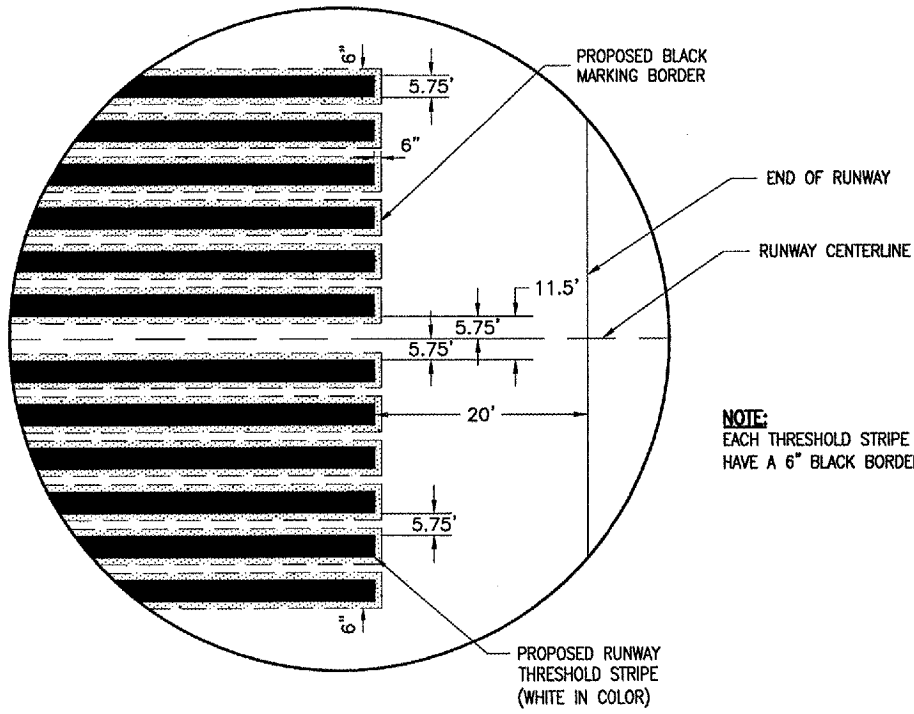


LEGEND

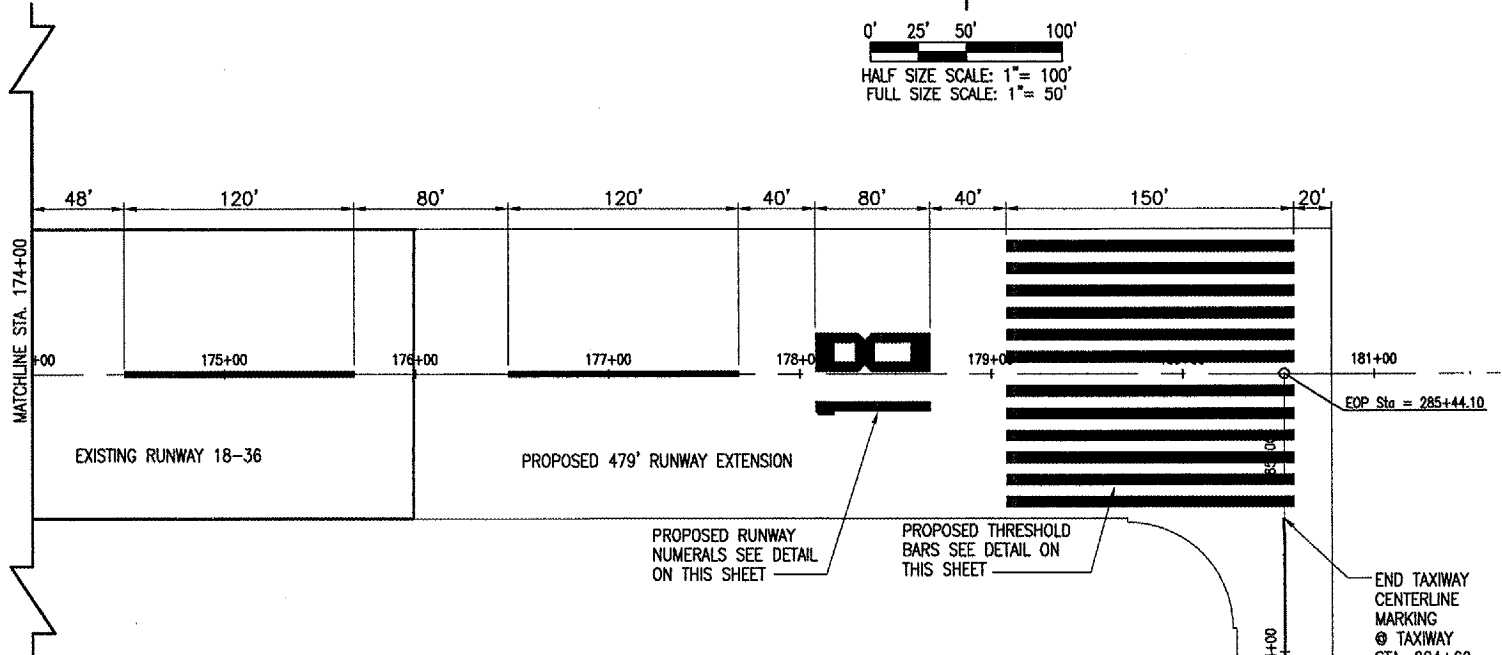
- EXISTING PAVEMENT
- PROPOSED IMPROVEMENTS
- EXISTING MARKING
- PROPOSED MARKING

0' 25' 50' 100'
 HALF SIZE SCALE: 1" = 100'
 FULL SIZE SCALE: 1" = 50'



THRESHOLD DETAIL
NOT TO SCALE

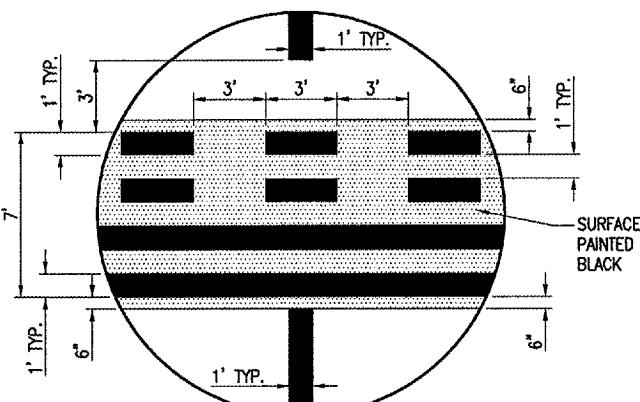
NOTE:
EACH THRESHOLD STRIPE WILL HAVE A 6" BLACK BORDER.



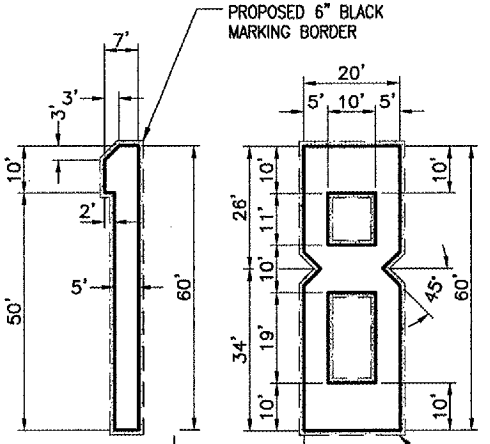
PROPOSED RUNWAY NUMERALS SEE DETAIL ON THIS SHEET

PROPOSED THRESHOLD BARS SEE DETAIL ON THIS SHEET

END TAXIWAY CENTERLINE MARKING
TAXIWAY STA. 284+69



HOLDING POSITION DETAIL
"NOT TO SCALE"



RUNWAY NUMERAL DETAIL
"NOT TO SCALE"

318 S.F. 22.5' 875.5 S.F. PROPOSED 6" BLACK MARKING BORDER

PROPOSED PAVEMENT MARKING - TAXIWAY

PROPOSED TAXIWAY MARKING SHALL CONSIST OF CENTERLINE STRIPES AND HOLDING POSITION MARKING AS DETAILED.

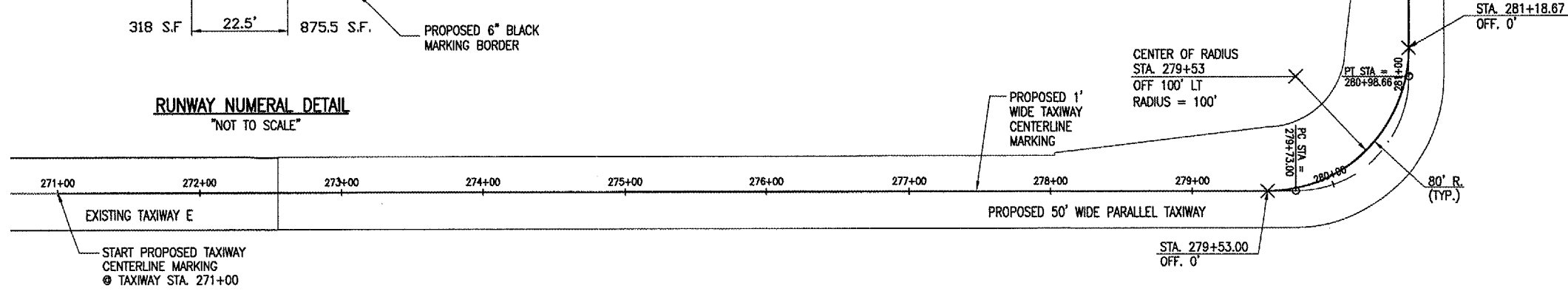
ALL TAXIWAY MARKING SHALL BE SOLID AND YELLOW IN COLOR AND OUTLINED WITH A SIX INCH WIDE BLACK BORDER.

ALL YELLOW AND BLACK MARKING SHALL REQUIRE TWO COATS OF PAINT.

REFLECTIVE MEDIA SHALL BE REQUIRED IN BOTH COATS OF YELLOW PAINT. BLACK PAINT DOES NOT REQUIRE REFLECTIVE MEDIA.

CUT-OFF SHEETS OR SHINGLES ARE REQUIRED TO INSURE STRAIGHT EDGES.

PROPOSED MARKING SHALL BE PAID FOR UNDER ITEMS AR620520 "PAVEMENT MARKING - WATERBORNE" AND AR620525 "PAVEMENT MARKING - BLACK BORDER" RESPECTIVELY PER SQUARE FOOT.



CENTER OF RADIUS
STA. 279+53
OFF 100' LT
RADIUS = 100'

PROPOSED 1' WIDE TAXIWAY CENTERLINE MARKING

STA. 281+18.67
OFF. 0'

STA. 279+53.00
OFF. 0'

START PROPOSED TAXIWAY CENTERLINE MARKING
TAXIWAY STA. 271+00

DATE	REVISION	BY
6/30/05	ADD MARKING	DAK

QUINCY REGIONAL AIRPORT
BALDWIN FIELD
ADAMS COUNTY, ILLINOIS

IL. PROJ. UIN-3336 A.I.P. PROJ. 3-17-0085-XX

DATE	REVISION	BY
4/28/03	LAYOUT	RAW
6/22/03	DRAWN	JRH
7/29/03	REVIEWED	JDW

HANSON
 Hanson Professional Services Inc.
 1525 South Sixth Street
 Springfield, Illinois 62702-2886
 Offices Nationwide

REHABILITATE
RUNWAY 18-36

PROPOSED
MARKING PLAN

STA. 174+00 TO STA. 180+78

JUL 01, 2005 4:15 PM DAK
C:\AIRPORTS\7\QUINCY\22405CRK\AIRPORT\2HEETS\7\6-151MRK.DWG - STA. 174+00 TO STA. 180+78