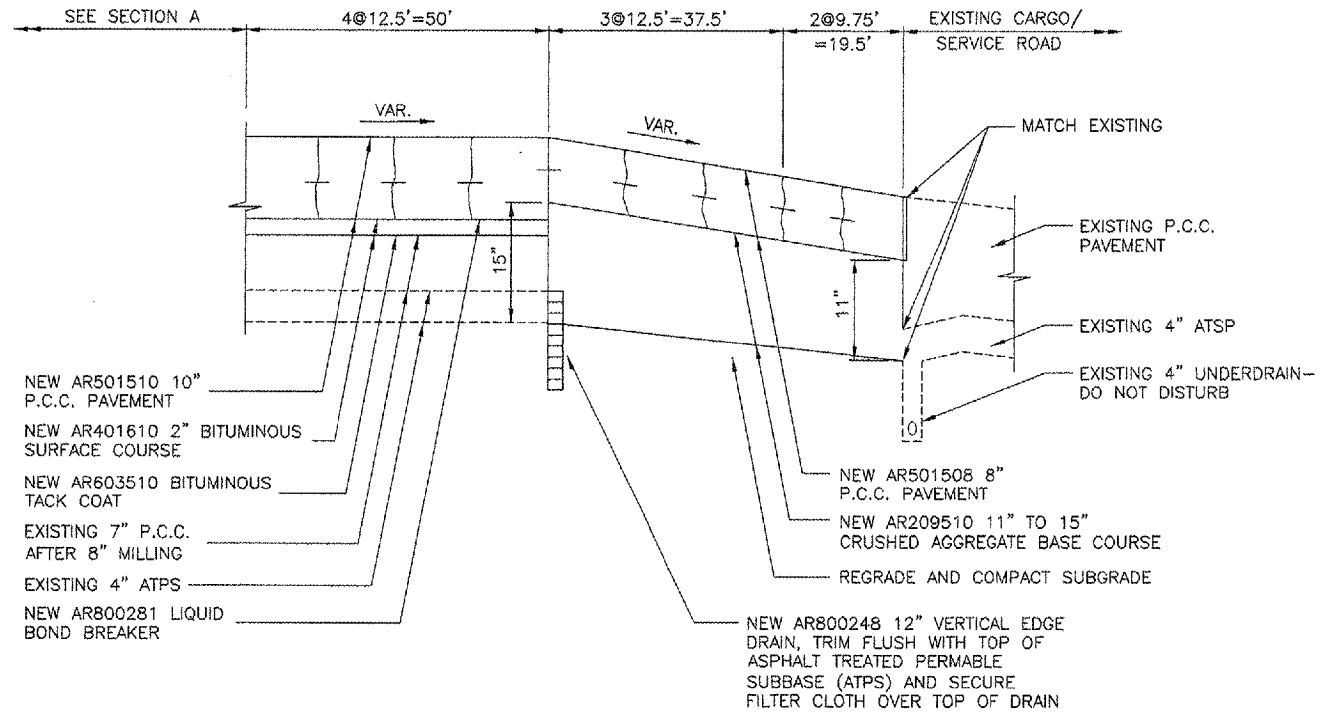
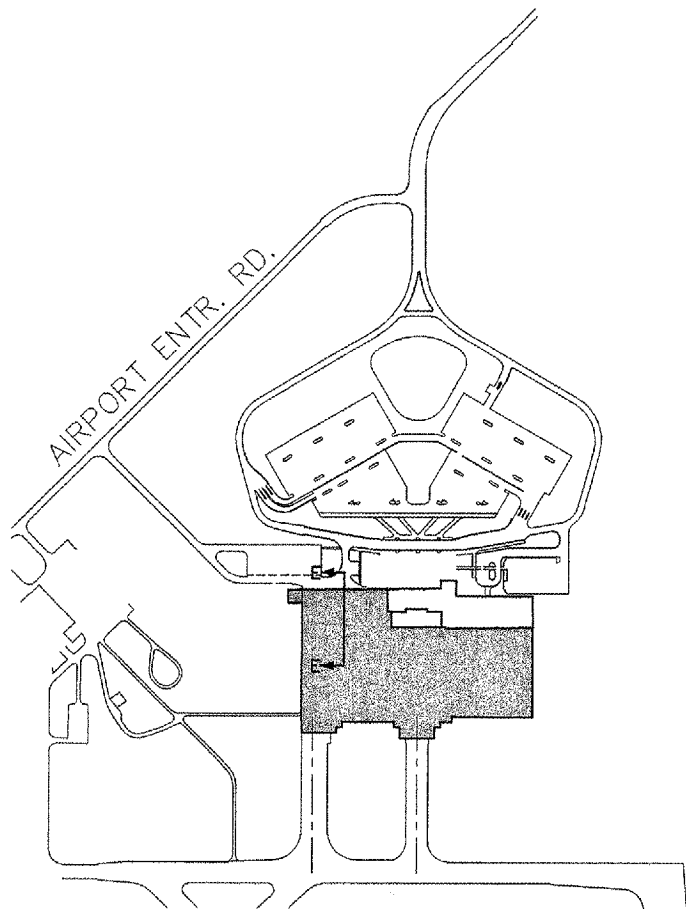


NOTES

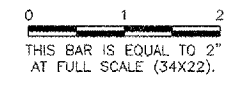
1. ALL CONSTRUCTION JOINTS TO BE DOWELED.



TYPICAL SECTION "E"  
 N.T.S.



| REVISIONS |    |      |
|-----------|----|------|
| NUMBER    | BY | DATE |
|           |    |      |
|           |    |      |
|           |    |      |



UNIVERSITY OF ILLINOIS  
 WILLARD AIRPORT  
 REHABILITATE AIR CARRIER RAMP  
 NEW TYPICAL SECTIONS SHEET 3

© Copyright CMT, Inc.  
**CMT**  
 CRAWFORD, MURPHY & TILLY, INC.  
 CONSULTING ENGINEERS  
 License No. 184-000613

|              |                    |
|--------------|--------------------|
| DESIGN BY:   | SMS                |
| DRAWN BY:    | CMT                |
| CHECKED BY:  | SMS                |
| APPROVED BY: | <i>[Signature]</i> |
| DATE:        | 06/10/2005         |
| JOB No:      | 03059-03-00        |

IL PROJECT: CM-3449  
 A.I.P. PROJECT: 3-17-0016-22