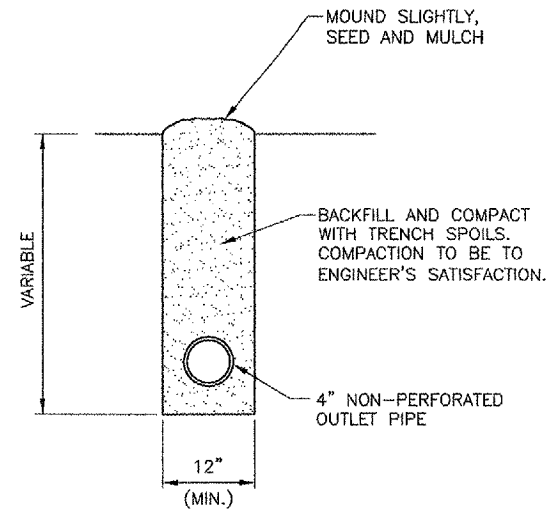
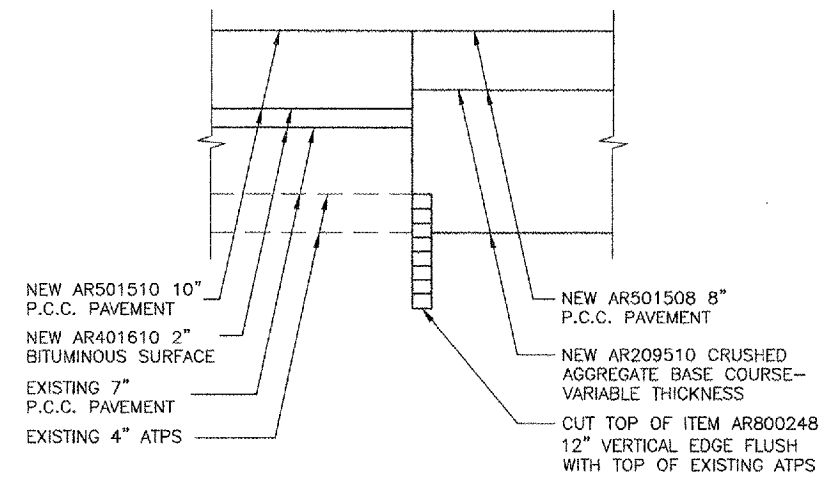


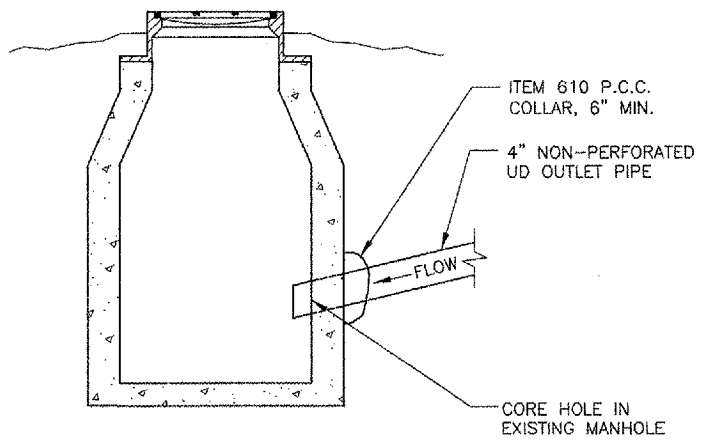
UNDERDRAIN OUTLET PIPE
 DETAIL BELOW PAVEMENT
 N.T.S.



UNDERDRAIN OUTLET PIPE DETAIL
 OUTSIDE PAVEMENT LIMITS
 N.T.S.

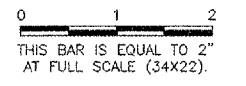


12" VERTICAL EDGE DRAIN
 INSTALLATION DETAIL
 N.T.S.

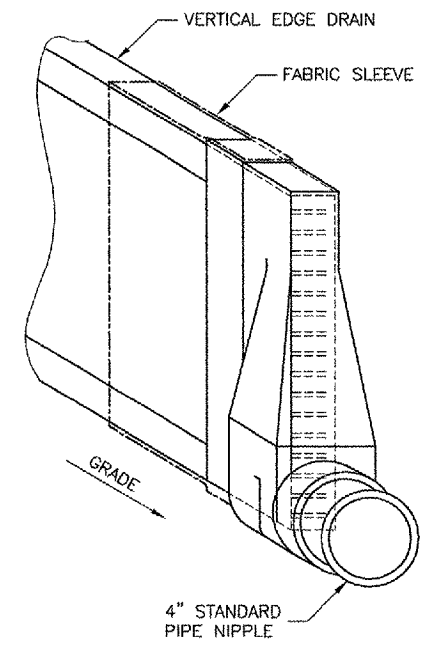


DIRECT CONNECTION DETAIL
 N.T.S.

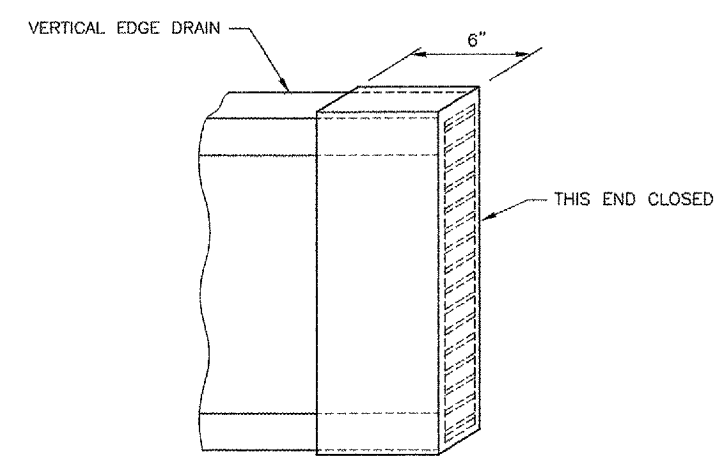
REVISIONS		
NUMBER	BY	DATE



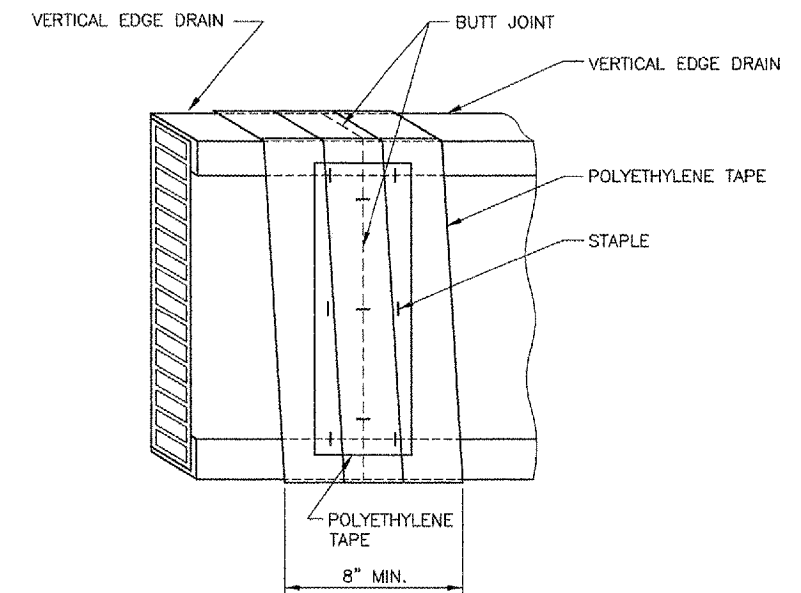
UNIVERSITY OF ILLINOIS
 WILLARD AIRPORT
 REHABILITATE AIR CARRIER RAMP
 VERTICAL EDGE DRAIN
 AND UNDERDRAIN DETAILS



STANDARD OUTLET FITTING



END CAP



FIELD SPLICE

VERTICAL EDGE DETAILS
 N.T.S.

© Copyright CMT, Inc.
CMT
 CRAWFORD, MURPHY & TILLY, INC.
 CONSULTING ENGINEERS
 License No. 824-000613

DESIGN BY:	CMT
DRAWN BY:	CMT
CHECKED BY:	SMS
APPROVED BY:	[Signature]
DATE:	06/16/2005
JOB No:	03059-03-00

IL PROJECT: CMI-3449
 A.I.P. PROJECT: 3-17-0016-22