

**SPECIFICATIONS FOR STANDARD ALUMINUM GRATING**

Main Bearing Bars shall be 3/16" x 1 1/2" on 1 3/16" centers and conform to ASTM B221 Alloy 6061-T6.

Cross bars shall be 3/16" x 1 1/2" on 4" centers and conform to ASTM B221 Alloy 6063-T5 or 6061-T6.

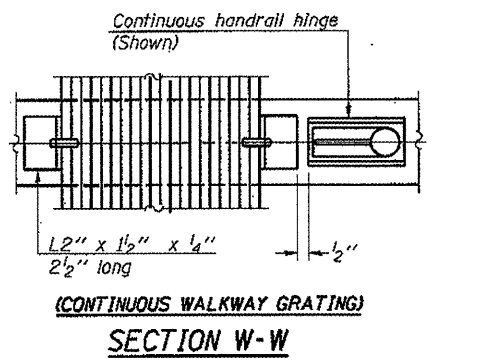
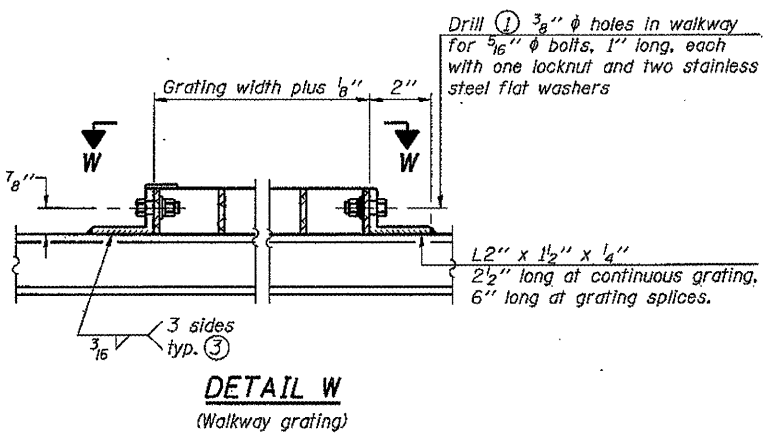
OR

Aluminum Grating with modified "I" sections for main bearing bars shall meet the following requirements:

Main bars shall conform to ASTM B221 Alloy 6061-T6 and have a minimum section modulus equal to 0.0705 in.<sup>3</sup> per bar, a depth of 1 1/2", spaced on 1 3/16" centers.

Cross bars shall conform to ASTM B221 Alloy 6063-T5 or T-42 and spaced on 4" centers.

- Drilling holes in grating may be done in shop or field, based on Contractor's preference and subject to accurate alignment.
- Stainless steel shims shall be placed as shown in Detail T if needed to compensate for alignment variations between horizontal and diagonal pipes beyond adjustment provided by angles. Thicker shims may be used subject to shims performing properly.
- If Handrail Joint present, weld angle to WF(A-N)4 and 1/4" extension bars. (See Base Sheet OS-A-II.)
- 1/2" x 1/2" x 2" welded to handrail posts to protect locations that contact grating.
- Tube to grating gap may vary from 0 to 1/2", max. to align walkway, allow for camber, etc.
- Based on actual height of tallest sign given on OS-A-1.



Structure Number	Station	A	⑥ B	C	⑥ D
IS0991080L131.0	22+00	5 3/16"	3'-4 1/2"	5'-3"	9'-1 1/2"
IS0991080R133.2	432+75	5 7/16"	3'-4 1/2"	5'-3"	9'-1 1/2"
IS0991080L130.9	28+25	5 3/16"	3'-4 1/2"	5'-3"	9'-1 1/2"
IS0991080L133.7	464+00	5 15/16"	4'-3"	7'-0"	11'-9"
IS0991080R132.9	417+50	5 3/16"	3'-4 1/2"	5'-3"	9'-1 1/2"
IS0991080R131.8	359+00	5 15/16"	4'-6"	7'-0"	12'-0"

OS-A-10

1-20-11

FILE NAME =	USER NAME =	DESIGNED -	REVISED -
		CHECKED -	REVISED -
PLOT SCALE =		DRAWN -	REVISED -
PLOT DATE =		CHECKED -	REVISED -

STATE OF ILLINOIS  
DEPARTMENT OF TRANSPORTATION

OVERHEAD SIGN STRUCTURES  
ALUMINUM WALKWAY DETAILS

F.A. RTE.	SECTION	COUNTY	TOTAL SHEETS	SHEET NO.
Various	D-1 OVD SIN STR REPL 12-02	VARIOUS	39	18
ILLINOIS FED. AID PROJECT			CONTRACT NO. 46175	