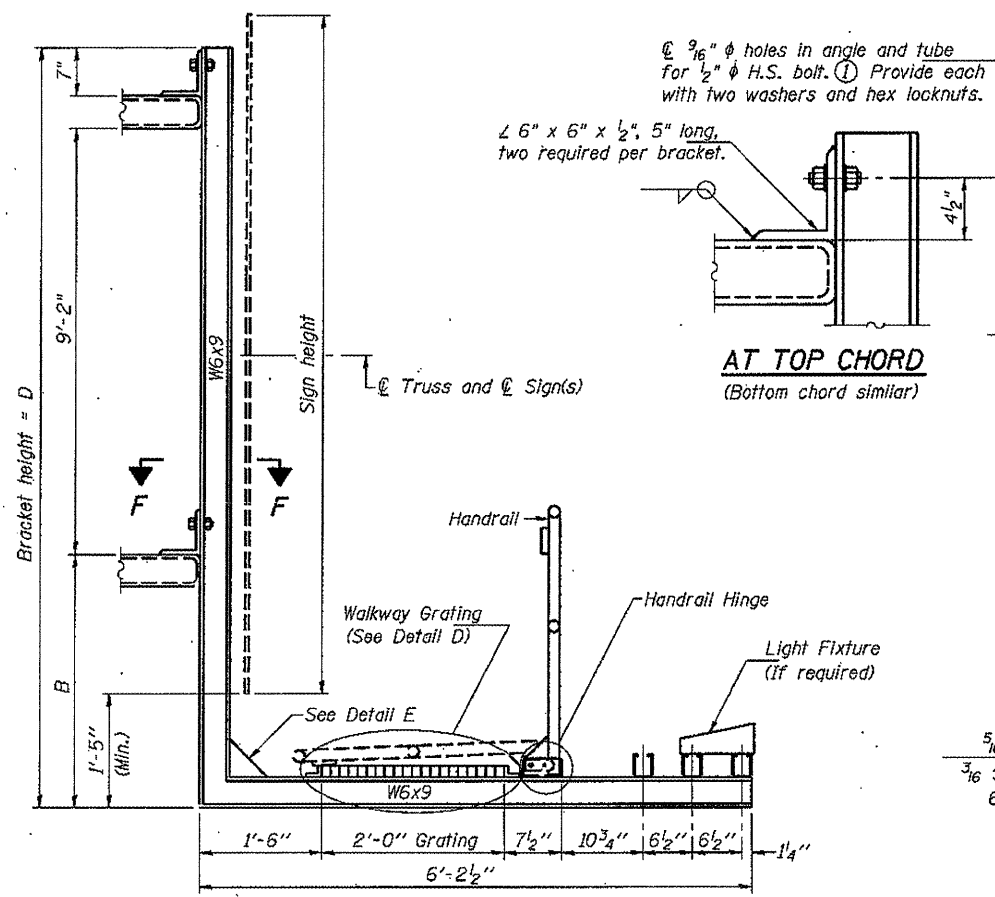


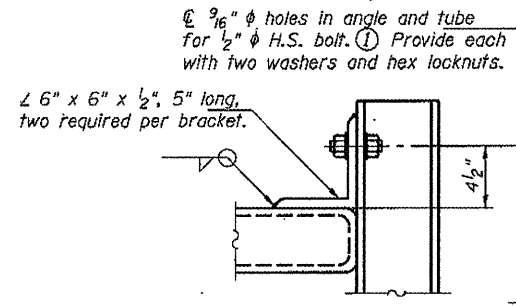
STATE OF ILLINOIS
DEPARTMENT OF TRANSPORTATION

ROUTE NO.	SECTION	COUNTY	TOTAL SHEETS	SHEET NO.
FED. ROAD DIST. NO. 7	ILLINOIS	FED. AID PROJECT		SHEETS

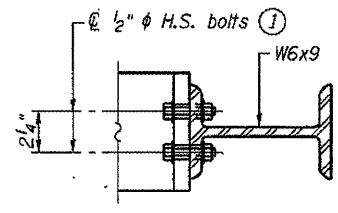
Contract #



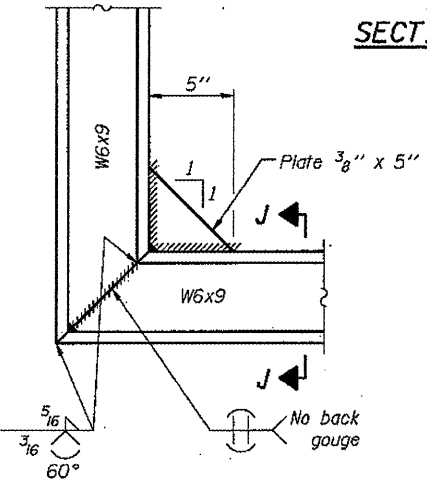
SECTION A-A
Sign panel shall be placed symmetrical about ℓ of frame.



AT TOP CHORD
(Bottom chord similar)

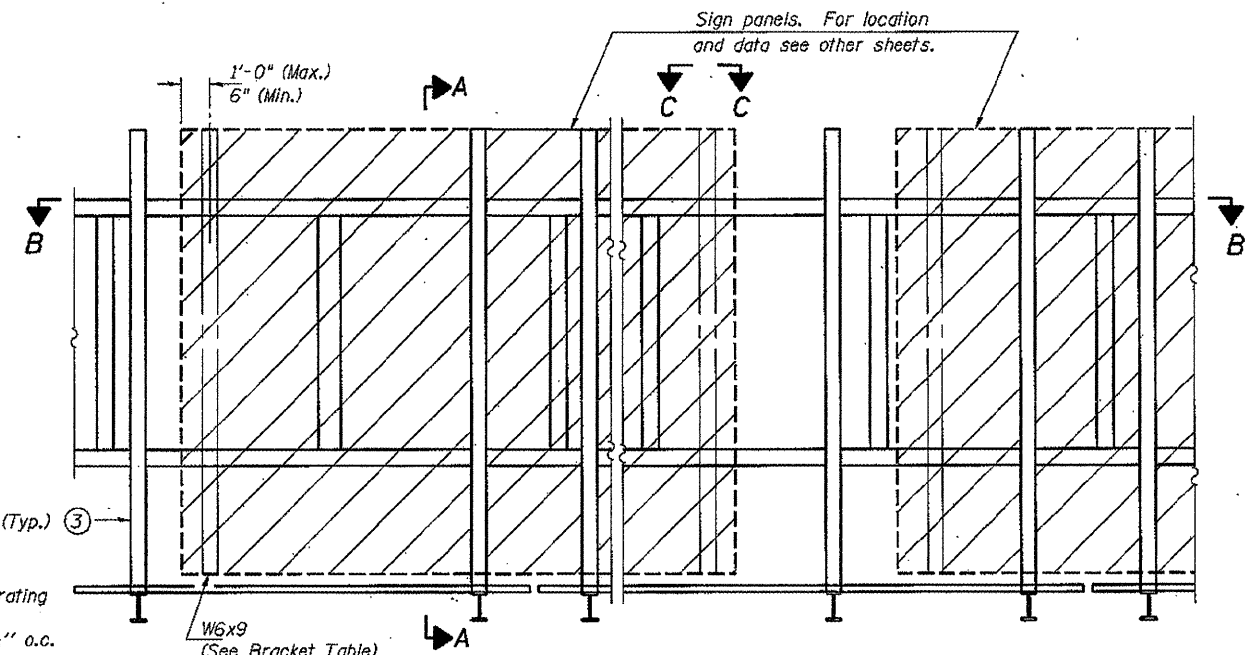


SECTION F-F



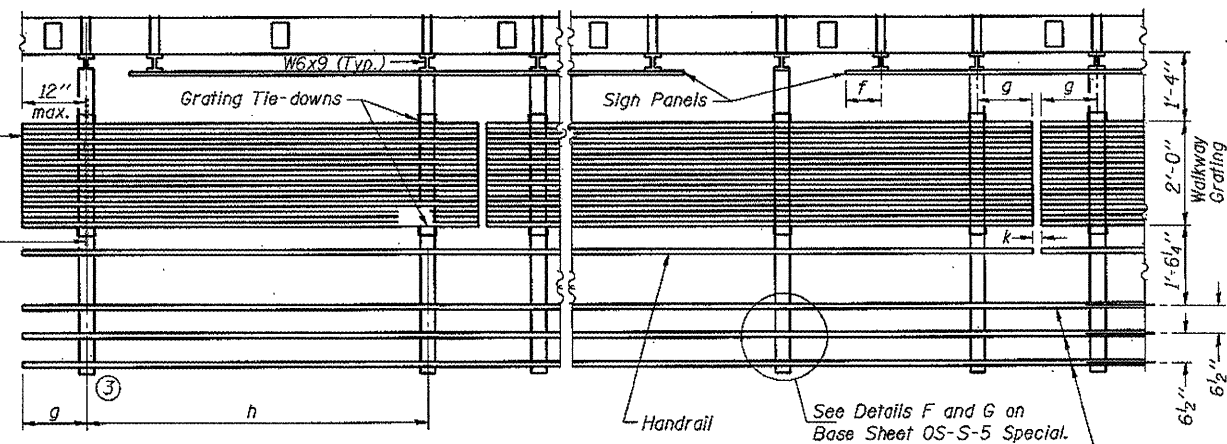
DETAIL E

Standard Steel Grating
Bars $3/16$ " x $1 1/2$ "
Bearing Bars $1 3/16$ " o.c.
Cross Bars 4" o.c.
Steel shall conform to:
ASTM A-569 with a
minimum yield of 30,000 p.s.i.;
or AASHTO M 270 Gr. 36,
M 270 Gr. 50W, or M 270
Gr. 50.



TYPICAL FRONT ELEVATION
(With lights, safety chain and handrail omitted for clarity.)

Walkway and Truss Grating
width dimensions are nominal
and may vary $\pm 1/2$ " based on
available standard widths.



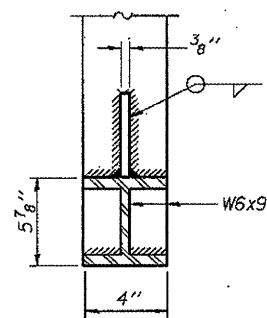
SECTION B-B

See Details F and G on
Base Sheet OS-S-5 Special.
Light fixture supports.
Length as required for lighting
fixtures. (If required.)

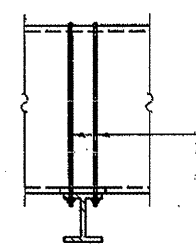
f = 1'-0" maximum, 4" minimum (End of sign to ℓ of nearest bracket)
g = 12" maximum, 4" minimum (End of walkway grating to ℓ of nearest support bracket)
h = 6'-0" maximum (ℓ to ℓ sign and/or walkway support brackets)
k = 2" maximum gap between adjacent walkway grating sections and handrail ends

- ① M164, ASTM A325, or SAE Grade 5 bolts are acceptable alternates.
- ② Steel shapes for walkway bracket and sign panel supports, including W6x9, $1 1/2$ " x 2" x $1/4$ " and 2 " x 6" x $1/2$ " shall be AASHTO M270 Gr. 36 or Gr. 50, or an equivalent acceptable to the Engineer.
- ③ End walkway brackets shall be spaced no more than 2'-0" from a truss vertical.
- ④ U-bolts, nuts and washers shall conform to ASTM A307, hot-dip galvanized per AASHTO M232.

Handrail and walkway shall span a minimum of three brackets between splices and/or gap joints. Place all sign and walkway brackets as close to panel points as practical. Grating, handrail and light support splices placed as needed. Walkway grating should extend a minimum of 4'-0" past the edge of pavement into the shoulder unless the shoulder width is less than 10'-0". If shoulder width is less than 10'-0" or if the structure is on a low speed ramp, the walkway grating may begin at edge of pavement.



SECTION J-J



SECTION C-C

Sign Structure Number	Station	B	D
ISO161094R039.1	116 + 08	1'-3"	11'-5"
ISO161090R080.3	3417 + 44	1'-3"	11'-5"
ISO161094L052.1	198 + 80	1'-3"	11'-5"
ISO161094R032.2	483 + 97	1'-3"	11'-5"

BRACKET TABLE

W6x9 ASTM B308, Alloy 6061-T6		Number Brackets Required
Sign Width Greater Than	Less Than or Equal To	
	10'-0"	2
	16'-0"	3
	22'-0"	4
	28'-0"	5
	34'-0"	6

**OVERHEAD SIGN STRUCTURES
STEEL WALKWAY DETAILS**

F.A. RTE.	SECTION	COUNTY	TOTAL SHEETS	SHEET NO.
Varleus ID-1 OVD SIN STR REPL 12-02		VARIOUS	39	32
CONTRACT NO. 46175				
ILLINOIS FED. AID PROJECT				

DESIGNED -	200
CHECKED -	EXAMINED
DRAWN -	PASSED
CHECKED -	ENGINEER OF BRIDGES AND STRUCTURES

OS-S-4 SPECIAL 7/01/2006