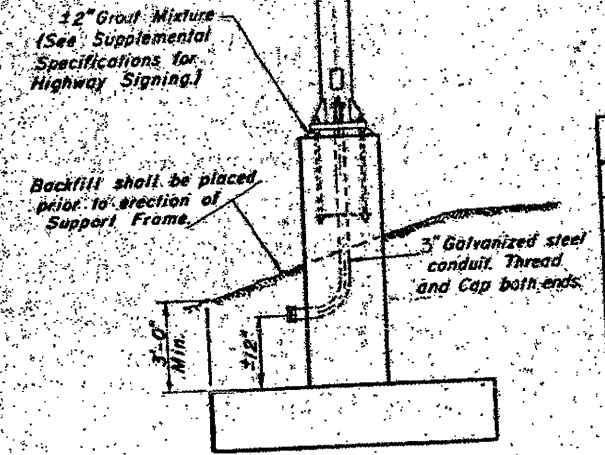
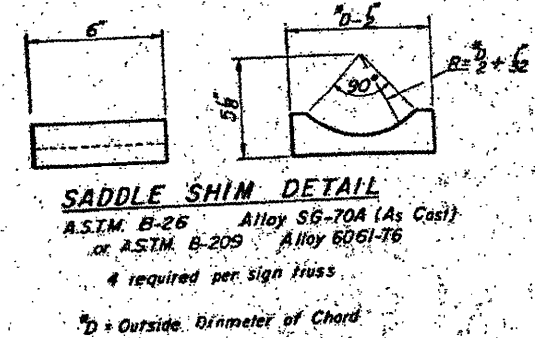
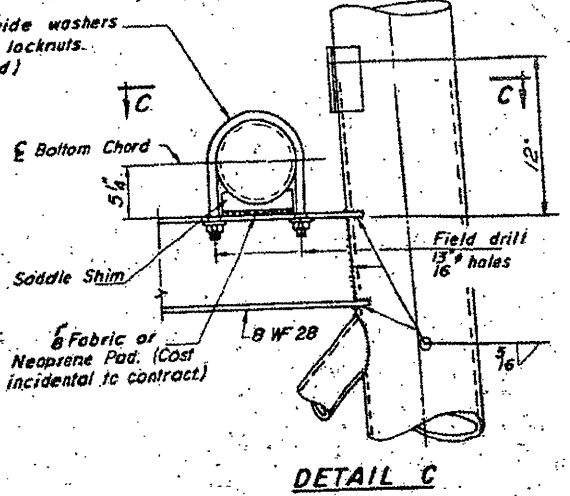
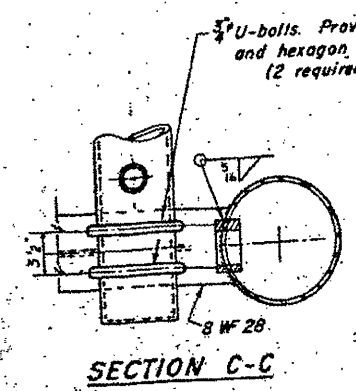
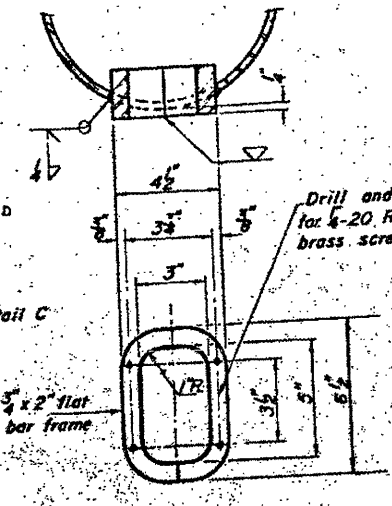
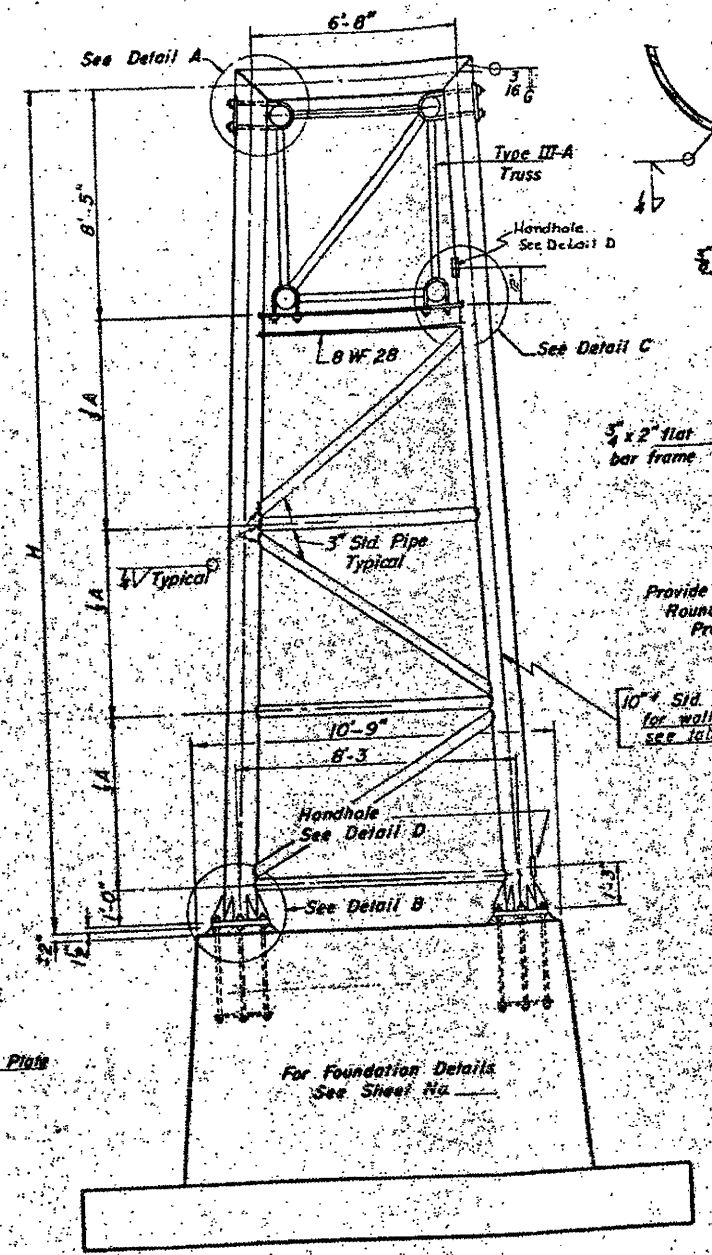
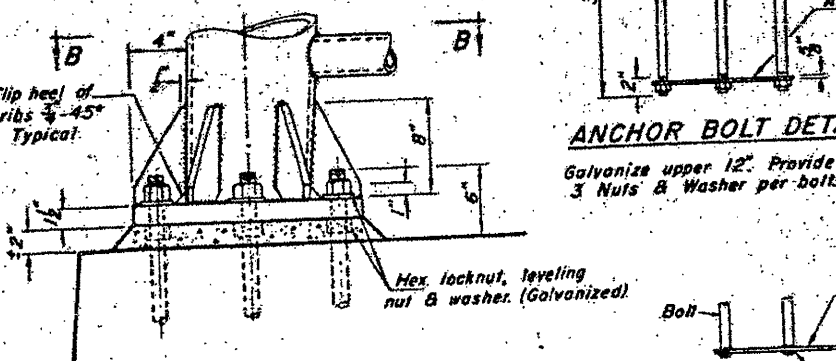
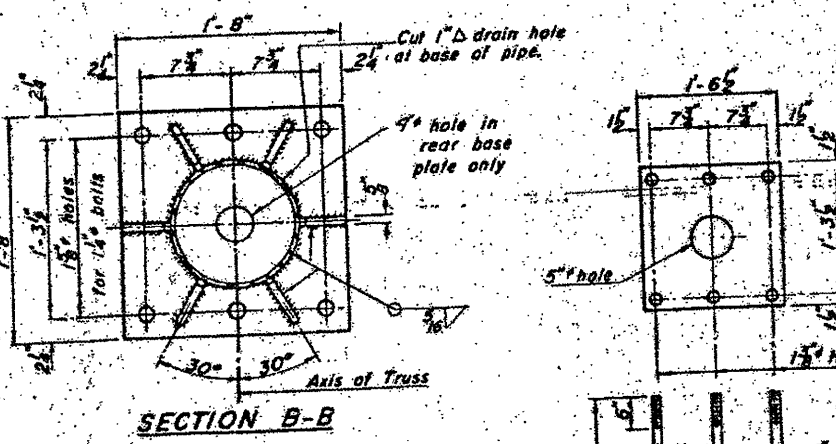
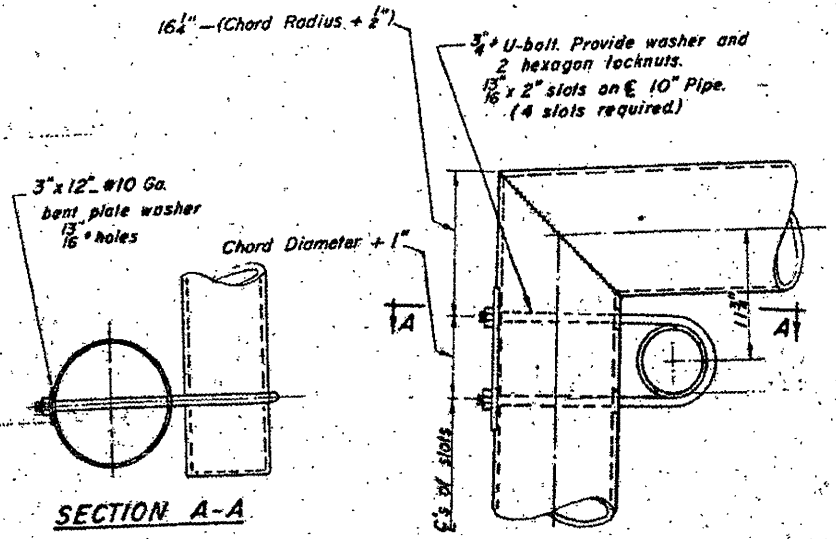


STATE OF ILLINOIS
DEPARTMENT OF TRANSPORTATION

| | | | |
|------------------------------------|---------|---------|--------|
| DATE | SECTION | PROJECT | SCALE |
| NOV 1 1980 | # | WILL | 117 86 |
| * (41-2,3,4,1,5,5-1,1215,1315) 502 | | | |



| Truss No. | Left Supply? | Right Supply? | Station | Wall Thickness | H | A |
|-----------|--------------|---------------|----------|----------------|------------|-------------|
| TRW-5 | ✓ | | 464 + 00 | .279" | 32'-4 1/2" | 22'-10 1/2" |
| TRW-5 | | ✓ | 464 + 00 | .279" | 28'-3 1/2" | 18'-8 1/2" |
| | | | | | | |
| | | | | | | |
| | | | | | | |
| | | | | | | |
| | | | | | | |
| | | | | | | |
| | | | | | | |
| | | | | | | |

TRUSS SUPPORT DETAILS
(10" Std. Pipe - Type III-A Truss)

| | |
|---------------------------|-----------------------------|
| DESIGNED <i>Wm M Best</i> | EXAMINED <i>Paul E. ...</i> |
| CHECKED <i>IK</i> | PASSED |
| DRAWN <i>Wm M Best</i> | APPROVED |

OVERHEAD SIGN STRUCTURES
SUPPORT FRAME for ALUMINUM TRUSS
W.O. # 4) 150991080133-7
(FOR INFORMATION ONLY)