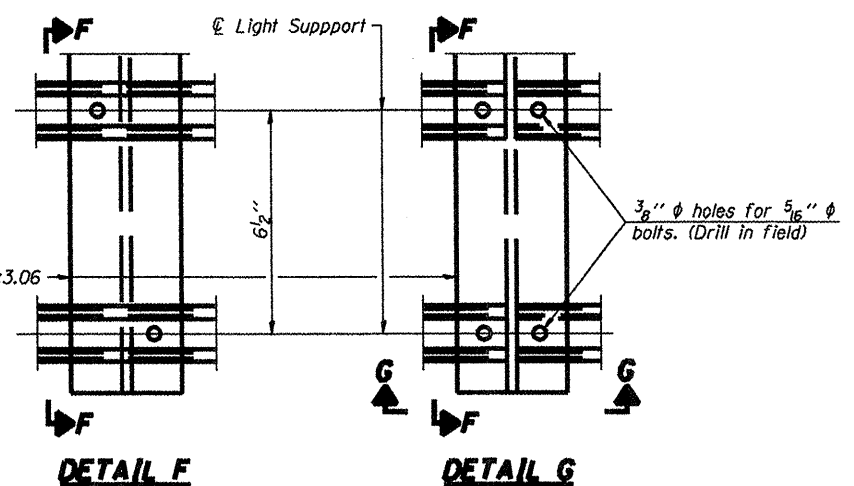


① Install standard force-fit end caps or weld 1/8" end plates with 1/8" c.f.w. and grind smooth. (All rail ends)



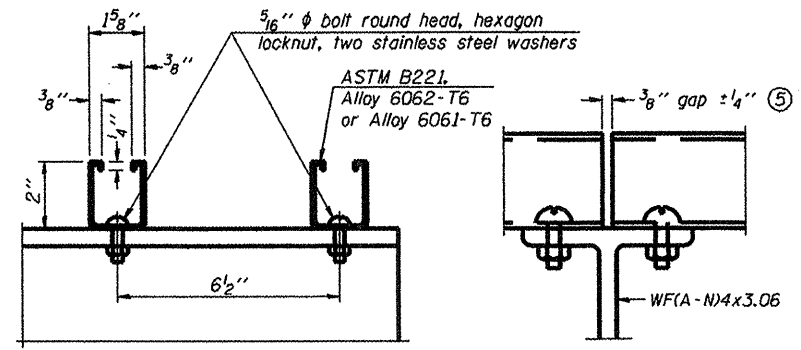
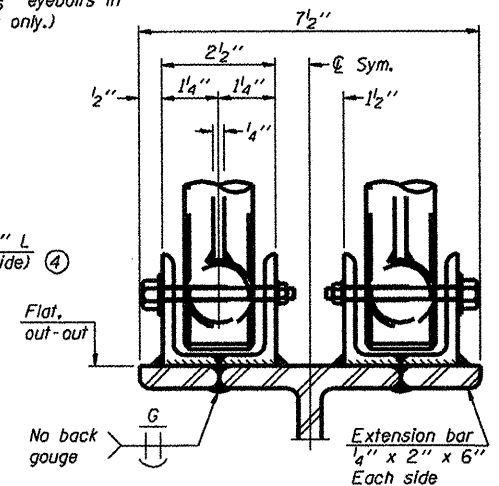
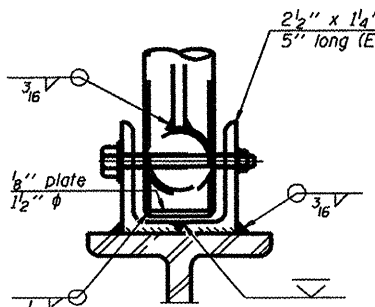
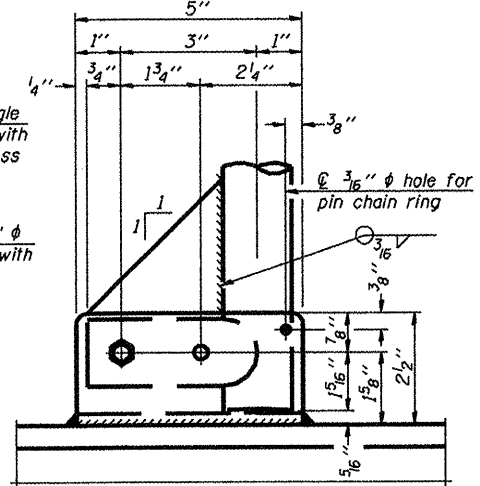
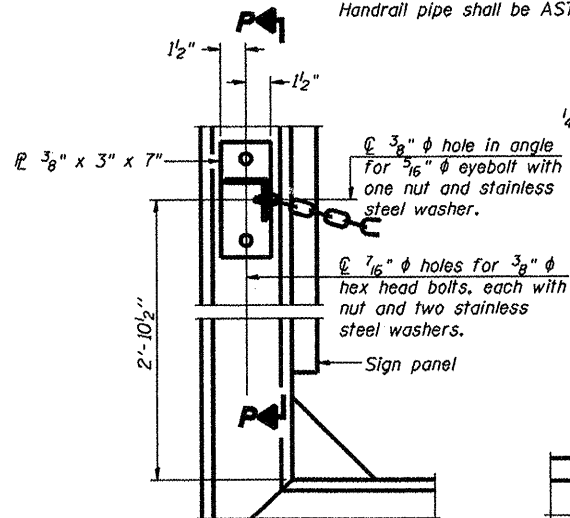
SIDE ELEVATION
(Showing Safety Chain W/O Sign)

FRONT ELEVATION

HANDRAIL DETAILS

Handrail pipe shall be ASTM B241 or B429, Alloy 6063-T6 or Alloy 6061-T6.

② Horizontal handrail member shall be continuous thru fitting. Provide 7/16" hole in fitting for 3/8" bolt. Field drill 1/16" hole in horizontal rail member. Provide locknut and two stainless steel washers for bolt. (Use 5/16" eyebolts in 7/16" holes on top rail at ends only.)

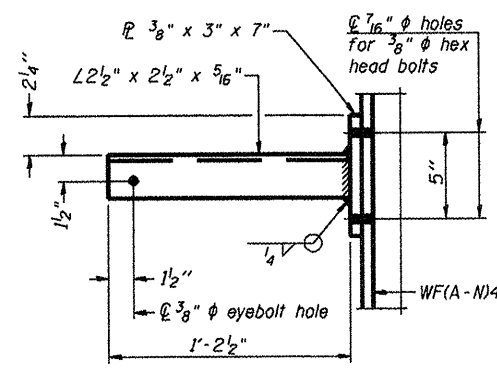


SECTION F-F
SECTION G-G
LIGHTING FIXTURE MOUNTS (IF REQUIRED)

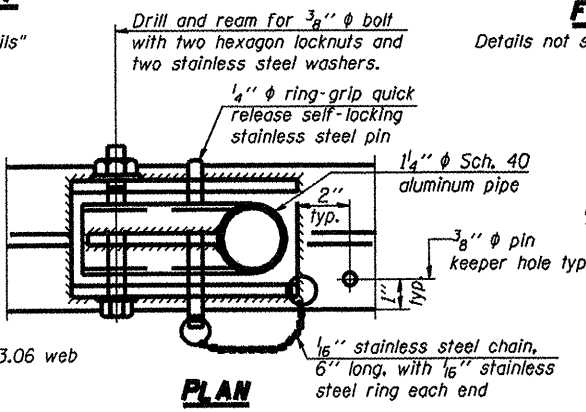
⑤ Field cut ends of light support channels shall be free of burrs or hazardous projections and coated with zinc-rich primer or equivalent.

ALTERNATE SAFETY CHAIN ATTACHMENT

(With Sign Present)
Items not shown same as "Side Elevation" of "Handrail Details"

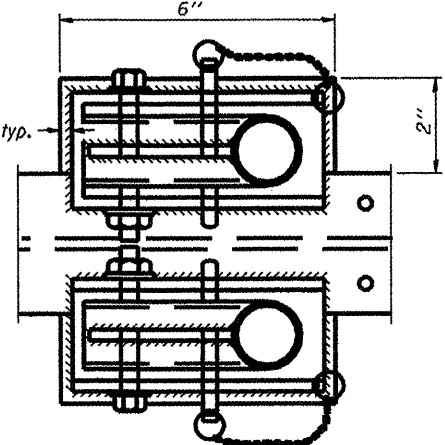


SECTION P-P



PLAN
DETAIL E HANDRAIL HINGE

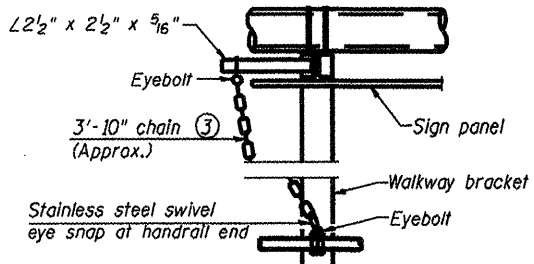
FRONT ELEVATION
Details not shown same as "ELEVATION" at right.



PLAN AT HANDRAIL JOINT
Details not shown same as "PLAN"

ELEVATION AT HANDRAIL JOINT ④

Details not shown same as "FRONT ELEVATION"

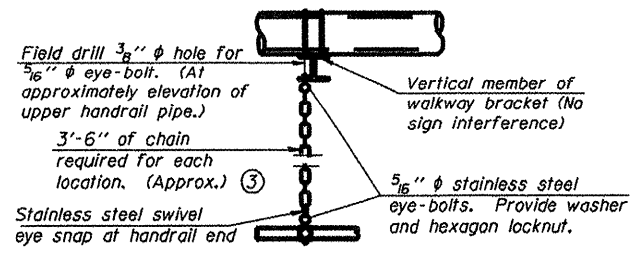


ALTERNATE SAFETY CHAIN ATTACHMENT

Details not shown similar to "Safety Chain" Details (Walkway omitted for clarity)

③ 3/16" Type 304L stainless steel chain, approximately 12 links per foot.

④ Extrusions may be used in lieu of the details shown, with approval of the Engineer.



SAFETY CHAIN

One required for each end of each walkway.

OSC-A-B

1-20-11

FILE NAME =	USER NAME = jshkdj	DESIGNED -	REVISED -
ONBRV SIGN TRUSS\CA00 Plans\2011-2 cont\PLANeng.dgn		DRAWN -	REVISED -
PLOT SCALE = 100.0000 / IN.		CHECKED -	REVISED -
PLOT DATE = Wed Apr 06 15:32:00 2011		DATE -	REVISED -

STATE OF ILLINOIS
DEPARTMENT OF TRANSPORTATION

CANTILEVER SIGN STRUCTURES - HANDRAIL DETAILS
ALUMINUM TRUSS & STEEL POST

SCALE:	SHEET NO. OF SHEETS	STA. TO STA.
--------	---------------------	--------------

F.A. RTE.	SECTION	COUNTY	TOTAL SHEETS	SHEET NO.
var D-2 OVD SIN STR REPL 12-03	VARIOUS	VARIOUS	28	22
CONTRACT NO. 46176			ILLINOIS FED. AID PROJECT	