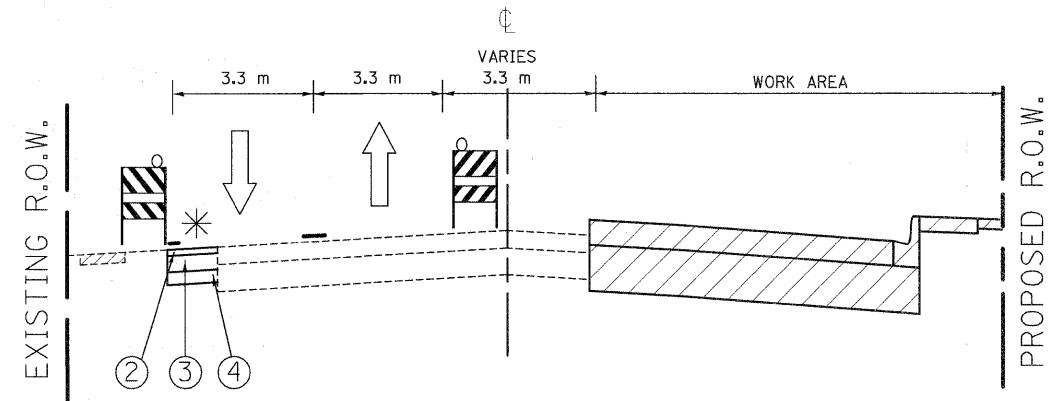
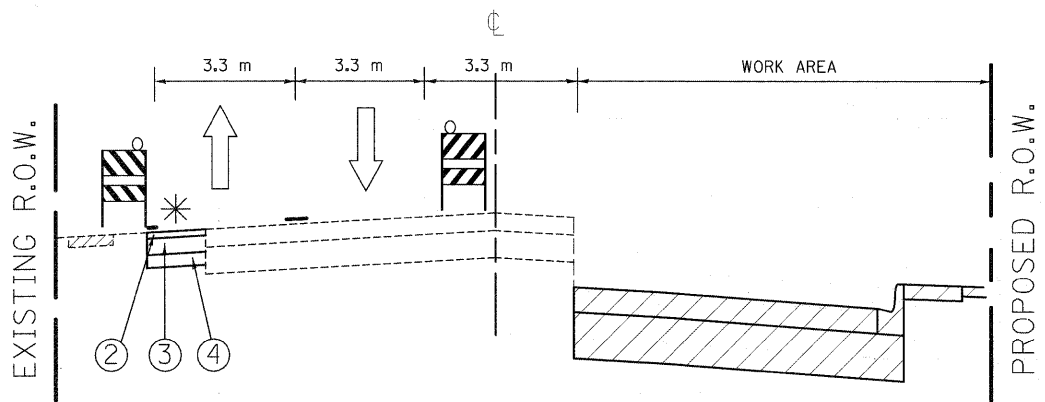


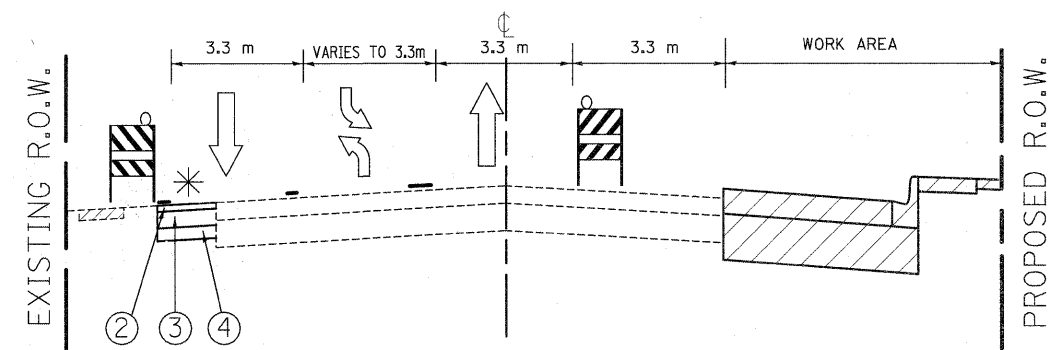
STA. 1+160 TO STA. 1+260
STAGE I



STA. 1+375 TO STA. 1+396.2
STAGE I



STA. 1+260 TO STA. 1+375
STAGE I



STA. 1+396.2 TO STA. 1+534
STAGE I

* TEMPORARY WIDENING

- ① EARTH WORK EXCAVATION, 258 mm (10 1/4")
- ② HMA SURFACE COURSE, MIX "D", N50, 38 mm (1 1/2")
- ③ HMA BINDER, IL-19, N70, 120 mm (4.75")
- ④ SUB-BASE GRANULAR MATERIAL, TYPE B, 200 mm (4")

NOTE: WIDTH VARIES (1M TO 1.75M)

REVISIONS		ILLINOIS DEPARTMENT OF TRANSPORTATION IL-50 TYPICAL CROSS SECTIONS FOR SUGGESTED CONSTRUCTION STAGING STAGE I
NAME	DATE	
		SCALE: _____ DRAWN BY _____ DATE: 5/11/2011 CHECKED BY _____