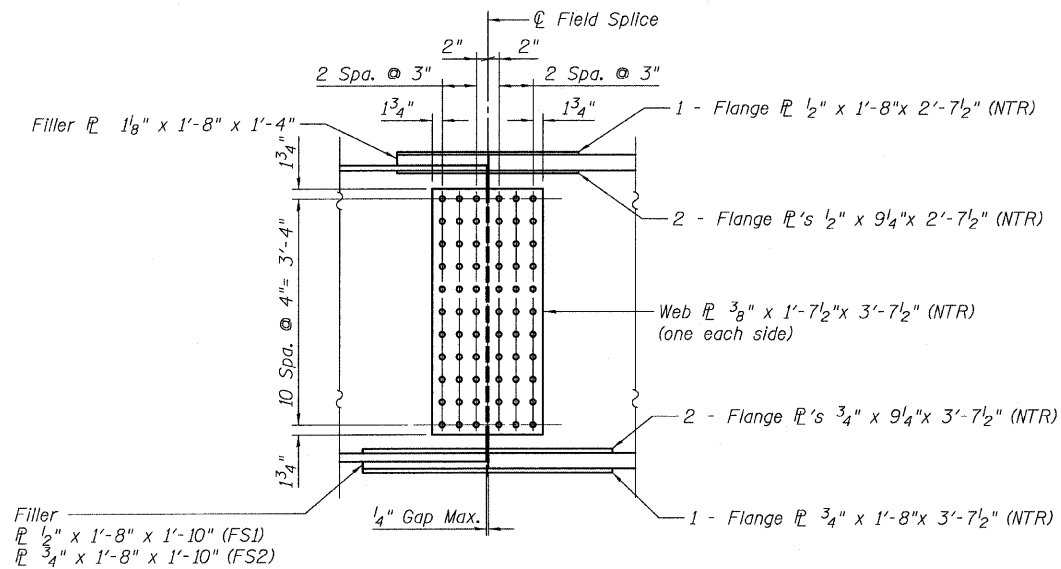
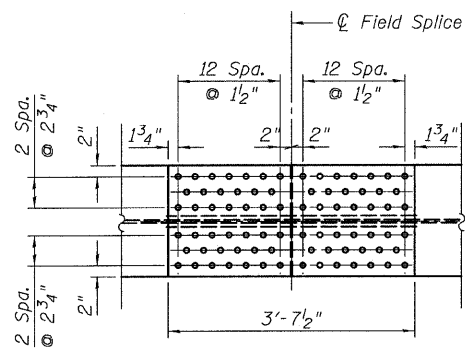


FIELD SPLICE TOP VIEW



FIELD SPLICE ELEVATION

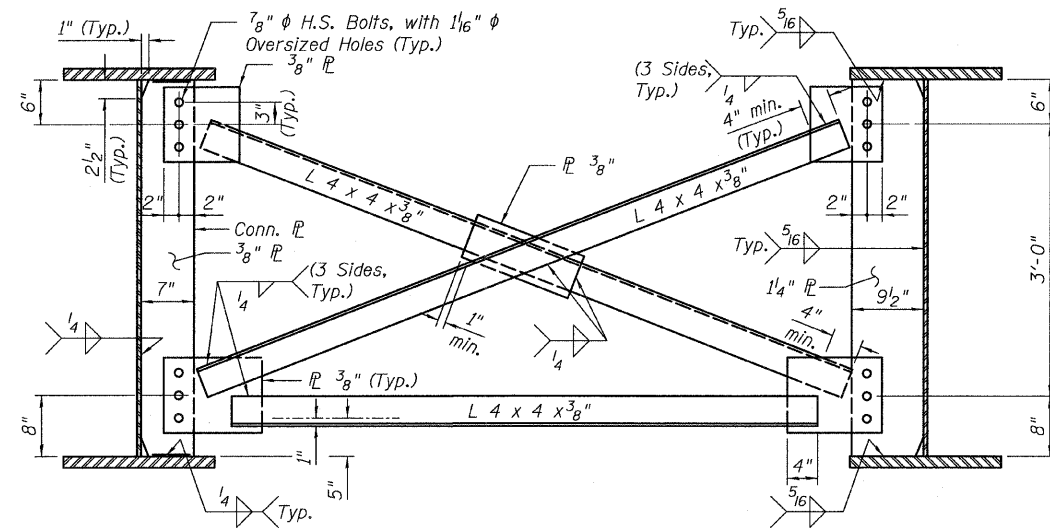
(Field Splice 1 Shown, Field Splice 2 Similar)
(16 Required)



FIELD SPLICE BOTTOM VIEW

Note:

Load carrying components designated "NTR" shall conform to the Supplemental Requirements for Notch Toughness, Zone 2.



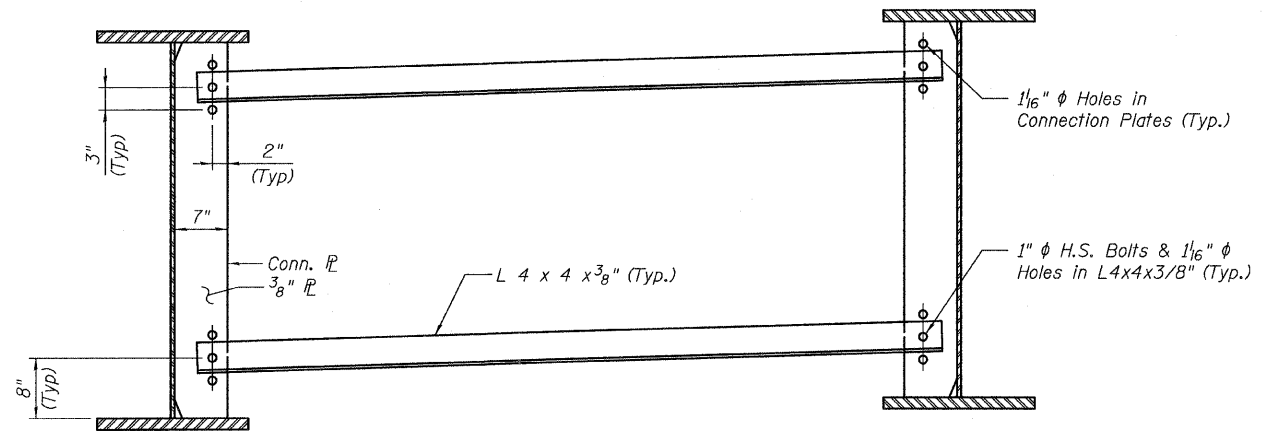
TYPE D1
HALF SECTION AT
INTERMEDIATE LOCATIONS

TYPE D2
HALF SECTION AT PIER

CROSS FRAME DETAILS (D1), (D2)

NOTE:

1. Two hardened washers required for each set of oversized holes.



TYPE D3 CROSS FRAME DETAILS

NOTES:

1. Install temporary horizontal L4x4x3/8" members prior to casting deck of Stage Construction 2. Bolts shall be finger tight.
2. Temporary L4x4x3/8" members shall be removed prior to Stage 3 Construction and after the deck from Stage 2 Construction has cured at least five (5) days or reached a minimum compressive strength of 3,500 psi.
3. Type D1, D2 Cross Frames shall be installed at Type D3 Cross Frame locations once temporary L4x4x3/8" members have been removed.

TYLIN INTERNATIONAL	USER NAME =	DESIGNED - JKO	REVISED -
	PLOT SCALE =	CHECKED - CPT	REVISED -
	PLOT DATE = 5/5/2011	DRAWN - TSK	REVISED -
		CHECKED - JKO	REVISED -

STATE OF ILLINOIS
DEPARTMENT OF TRANSPORTATION

FIELD SPLICE AND CROSS FRAME DETAILS
STRUCTURE NO. 016-1196

SHEET NO. 25 OF 40 SHEETS

F.A.I. RTE.	SECTION	COUNTY	TOTAL SHEETS	SHEET NO.
57	1313.1B-1	COOK	162	86
			CONTRACT NO. 60K14	
ILLINOIS FED. AID PROJECT				