

WEST APPROACH PLAN

EDGE OF PAVEMENT (EXIST.) (See Note)

LOCATION	STATION	OFFSET	THEORETICAL GRADE ELEVATIONS
A1	7+28.76	-2.73	850.15
A2	7+38.76	-2.69	850.19
A3	7+48.77	-2.65	850.23
A4	7+58.78	-2.60	850.27

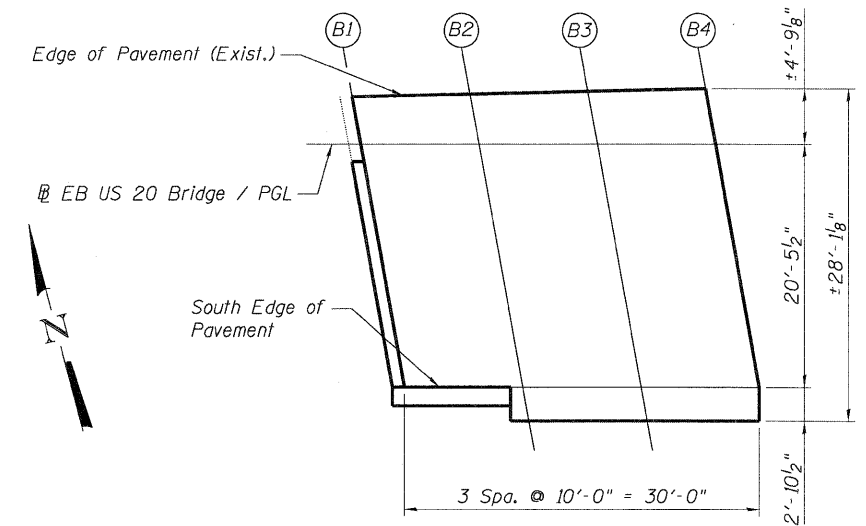
EB US 20 BRIDGE / PGL

LOCATION	STATION	OFFSET	THEORETICAL GRADE ELEVATIONS
A1	7+29.25	0.00	850.20
A2	7+39.25	0.00	850.25
A3	7+49.25	0.00	850.29
A4	7+59.25	0.00	850.32

SOUTH EDGE OF PAVEMENT

LOCATION	STATION	OFFSET	THEORETICAL GRADE ELEVATIONS
A1	7+32.95	20.46	850.63
A2	7+42.95	20.46	850.67
A3	7+52.95	20.46	850.71
A4	7+62.95	20.46	850.75

WEST APPROACH SLAB ELEVATIONS



EAST APPROACH PLAN

EDGE OF PAVEMENT (EXIST.) (See Note)

LOCATION	STATION	OFFSET	THEORETICAL GRADE ELEVATIONS
B1	9+08.59	-4.06	850.38
B2	9+18.55	-4.29	850.36
B3	9+28.51	-4.53	850.33
B4	9+38.47	-4.76	850.30

EB US 20 BRIDGE / PGL

LOCATION	STATION	OFFSET	THEORETICAL GRADE ELEVATIONS
B1	9+09.33	0.00	850.46
B2	9+19.33	0.00	850.44
B3	9+29.33	0.00	850.42
B4	9+39.33	0.00	850.39

SOUTH EDGE OF PAVEMENT

LOCATION	STATION	OFFSET	THEORETICAL GRADE ELEVATIONS
B1	9+13.03	20.46	850.86
B2	9+23.03	20.46	850.84
B3	9+33.03	20.46	850.82
B4	9+43.03	20.46	850.79

EAST APPROACH SLAB ELEVATIONS

Note:

The Theoretical Grade Elevations are intended to match existing pavement elevations along the Edge of Pavement (Exist.). The Contractor shall field verify the existing pavement elevations along the Edge of Pavement (Exist.) to validate the Theoretical Grade Elevations shown. If deviations greater than 0.02' (1/4") are found, notify the Engineer in writing and request adjusted elevations for all screed lines. The cost of field verifications and any required adjustments shall be included in the cost of Concrete Superstructure.

FILE NAME = \\NAS003-60K90-002-TDSELEV.DGN, \\NAS003-60K90-001-BORDER.DGN, \\NAS003-60K90-003-TDSELEV.SHT.DGN
 FILE# = \\NAS003-60K90-002-TDSELEV.DGN, \\NAS003-60K90-001-BORDER.DGN, \\NAS003-60K90-003-TDSELEV.SHT.DGN
 PLOT SCALE = #SCALE#
 PLOT DATE = #DATE#
 DESIGNED - PK
 DRAWN - PK
 CHECKED - MDB
 DATE - 05/18/11
 REVISED -
 REVISED -
 REVISED -
 REVISED -
 STATE OF ILLINOIS
 DEPARTMENT OF TRANSPORTATION
 US 20 OVER MCLEAN BOULEVARD
 TOP OF APPROACH SLAB ELEVATIONS
 SCALE: SHEET NO. S-10 OF S-29 STA. 98+32.18
 F.A.P. RTE. 345 SECTION BR-HB-2-BY-1 COUNTY KANE TOTAL SHEETS 434 SHEET NO. 251
 SN 045-0003 CONTRACT NO. 60K90
 FED. ROAD DIST. NO. 7 ILLINOIS FED. AID PROJECT

FILE NAME =	USER NAME = #USER#	DESIGNED - PK	REVISED -	STATE OF ILLINOIS DEPARTMENT OF TRANSPORTATION US 20 OVER MCLEAN BOULEVARD	TOP OF APPROACH SLAB ELEVATIONS			F.A.P. RTE.	SECTION	COUNTY	TOTAL SHEETS	SHEET NO.
#FILE#	PLOT SCALE = #SCALE#	DRAWN - PK	REVISED -		SCALE:	SHEET NO. S-10 OF S-29	STA. 98+32.18	345	BR-HB-2-BY-1	KANE	434	251
TENG TENG & ASSOCIATES, INC. ENGINEERS/ARCHITECTS/PLANNERS CHICAGO, ILLINOIS	PLOT DATE = #DATE#	CHECKED - MDB	REVISED -					SN 045-0003		CONTRACT NO. 60K90		
		DATE - 05/18/11	REVISED -					FED. ROAD DIST. NO. 7 ILLINOIS FED. AID PROJECT				