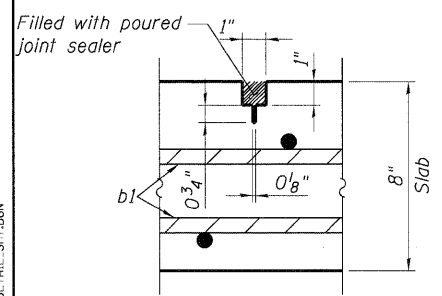
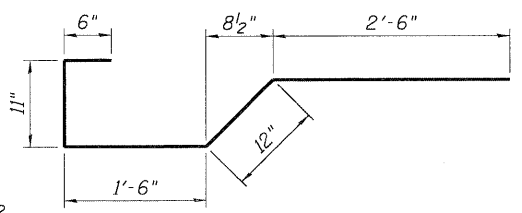
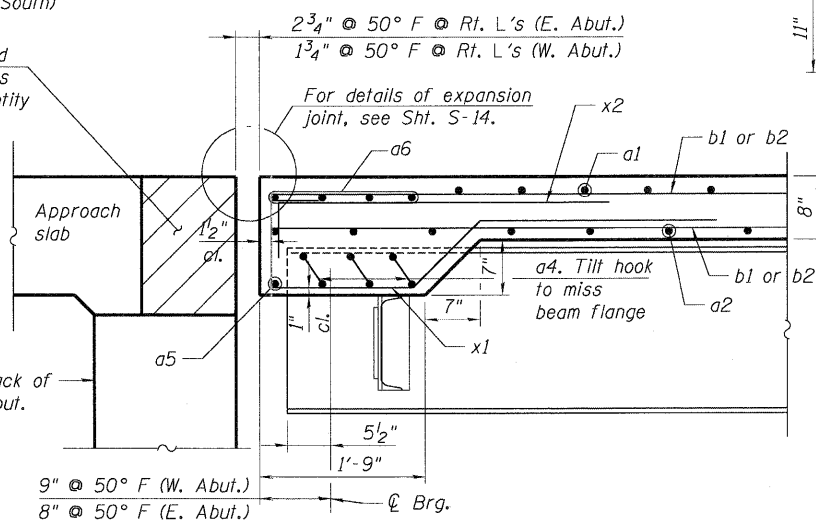


BAR LIST				
Bar	No.	Size	Length	Shape
a1	222	#5	20'-1"	—
a2	178	#5	21'-2"	—
a3	111	#6	6'-6"	—
a4	12	#5	7'-5"	—
a5	2	#5	13'-0"	—
a6	8	#5	20'-5"	—
b1	195	#5	30'-0"	—
b2	39	#5	6'-2"	—
b3	40	#6	21'-9"	—
d1	162	#5	7'-10"	—
d2	169	#5	5'-7"	—
e1	2	#8	22'-1"	—
e2	6	#8	8'-4"	—
e3	2	#8	27'-4"	—
e4	2	#4	22'-1"	—
e5	48	#4	8'-4"	—
e6	2	#4	26'-3"	—
e7	28	#4	10'-11"	—
e8	21	#4	16'-10"	—
x1	28	#5	6'-5"	—
x2	28	#5	4'-1"	—

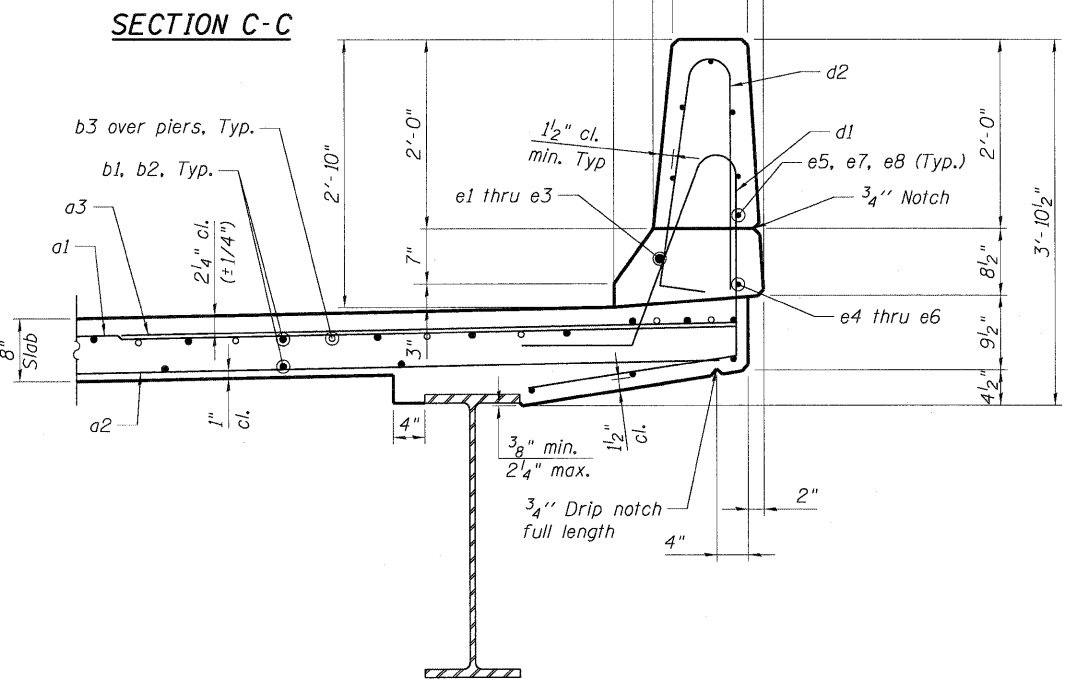
**Inside Elevation of Parapet**  
(Looking South)



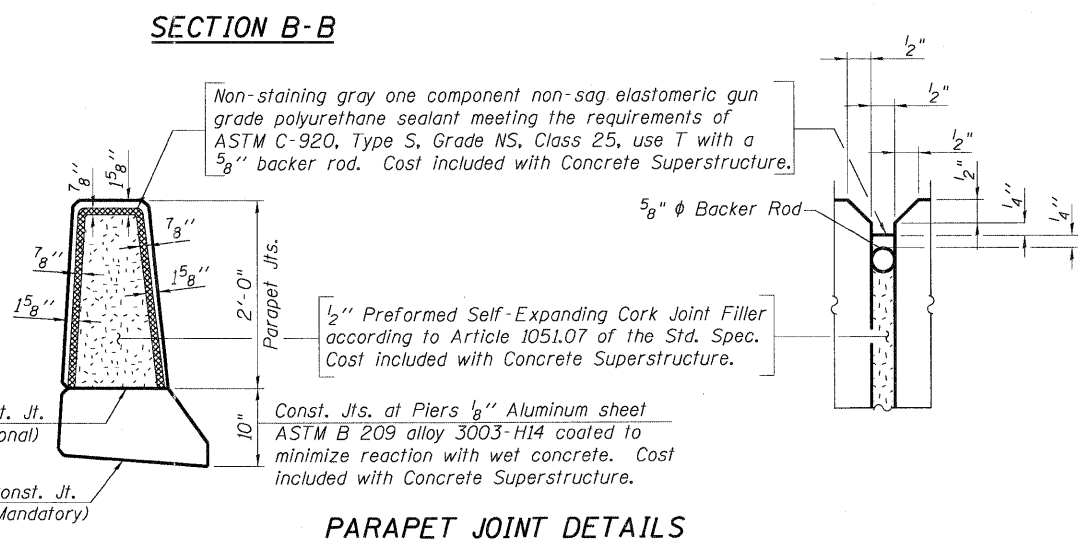
Hatched area to be poured after superstructure forms have been removed. Quantity of concrete included with Concrete Superstructure.



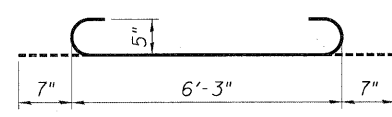
**x1 BAR**



**SECTION THRU PARAPET**

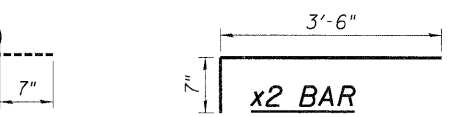


**PARAPET JOINT DETAILS**

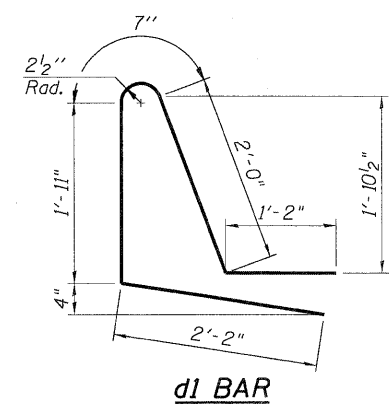


**a4 BAR**

BILL OF MATERIAL		
Item	Unit	Total
Concrete Superstructure	Cu. Yd.	98.4
Bridge Deck Grooving	Sq. Yd.	295
Reinforcement Bars	Pound	21,400



**x2 BAR**



**d1 BAR**

- Notes:**
- Work this sheet with Sht. S-11.
  - B.F. = Back Face  
F.F. = Front Face  
E.E. = Each End
  - Cost of sawcut and poured joint sealer at hinge lines included in concrete Superstructure.

FILE NAME = #FILE#  
 USER NAME = #USER#  
 DESIGNED - PK  
 DRAWN - PK  
 CHECKED - MDB  
 DATE - 05/18/11  
 REVISED -  
 REVISED -  
 REVISED -  
 STATE OF ILLINOIS  
 DEPARTMENT OF TRANSPORTATION  
 US 20 OVER MCLEAN BOULEVARD  
 SCALE:  
 SHEET NO. S-12 OF S-29  
 STA. 98+32.18  
 F.A.P. RTE. SECTION COUNTY TOTAL SHEETS SHEET NO.  
 345 BR-HB-2-BY-1 KANE 434 253  
 SN 045-0003 CONTRACT NO. 60K90  
 FED. ROAD DIST. NO. 7 ILLINOIS FED. AID PROJECT

**TENG** TENG & ASSOCIATES, INC.  
 ENGINEERS/ARCHITECTS/PLANNERS  
 CHICAGO, ILLINOIS