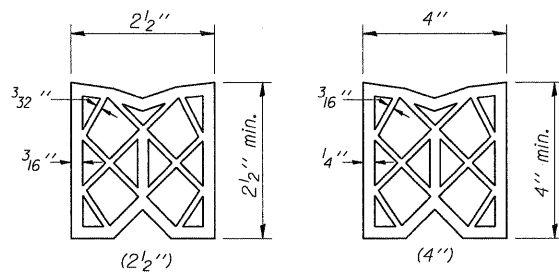
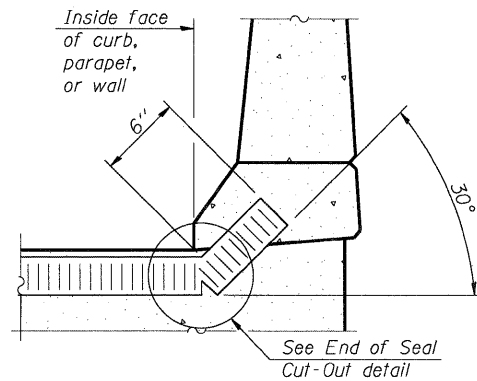


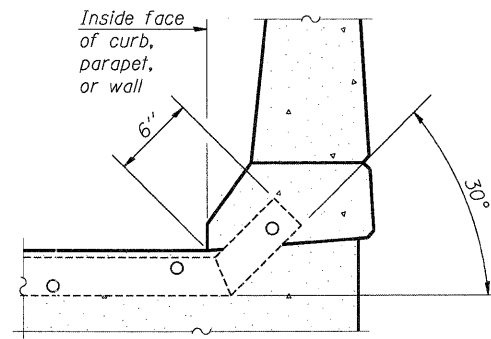
SECTION THRU EXPANSION JOINT
(2 1/2" and 4" joint seals)



PREFORMED JOINT SEAL

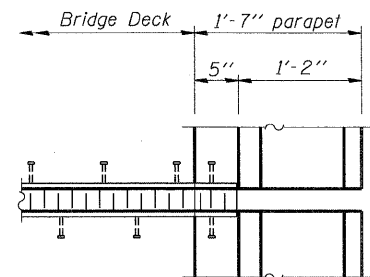


AT CURB, PARAPET, OR WALL
(Showing seal)

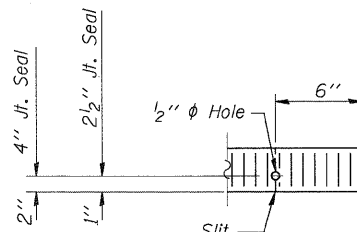


AT CURB, PARAPET, OR WALL
(Showing plate)

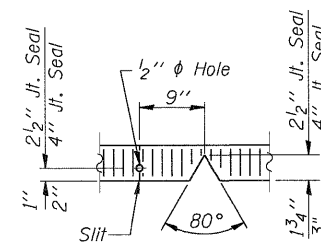
TYPICAL END TREATMENTS



PLAN AT PARAPET

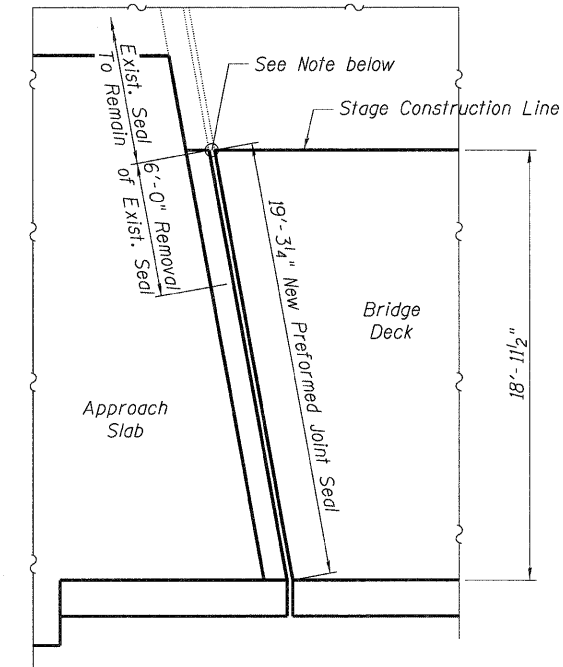


END OF SEAL CUT-OUT



SEAL CUT-OUT AT CURB

Bridge Joint System (Expansion)		
Design Movement	Required Prefomed Joint Seal Size	Required Strip Seal Rated movement
1"	2 1/2"	1"
1 5/8"	4"	2"



EXPANSION JOINT PLAN
(W. Abut. shown, E. Abut. similar)

Note:
Cut existing preformed joint seal to provide a flush surface at the stage construction line. Place new preformed joint seal directly against cut end, and seal with one component non-sag elastomeric gun grade polyurethane sealant. Cost included in Prefomed Joint Seal.

GENERAL NOTES

Furnish steel plates in segments of 20 feet maximum length. Maximum space between installed segments shall be 3/16 inch. Seal space with silicone sealant suitable for structural steel.

BILL OF MATERIAL

Item	Unit	Total
Prefomed Joint Seal 2 1/2"	Foot	19.5
Prefomed Joint Seal 4"	Foot	19.5

EJ-BJS 10-22-04 (Modified)

STATE OF ILLINOIS
DEPARTMENT OF TRANSPORTATION
US 20 OVER MCLEAN BOULEVARD

EXPANSION JOINT DETAILS

SCALE: SHEET NO. S-14 OF S-29 STA. 98+32.18

F.A.P. RTE.	SECTION	COUNTY	TOTAL SHEETS	SHEET NO.
345	8R-HB-2-BY-1	KANE	434	255
SN 045-0003			CONTRACT NO. 60K90	
FED. ROAD DIST. NO. 7 ILLINOIS FED. AID PROJECT				

FILE NAME = EXPJNT.DGN, USER NAME = USER, DESIGNED - PK, REVISED - , DRAWN - PK, REVISED - , CHECKED - MDB, REVISED - , DATE - 05/18/11, REVISED - , PLOT SCALE = #SCALE#, PLOT DATE = #DATE#, TENG & ASSOCIATES, INC. ENGINEERS/ARCHITECTS/PLANNERS CHICAGO, ILLINOIS