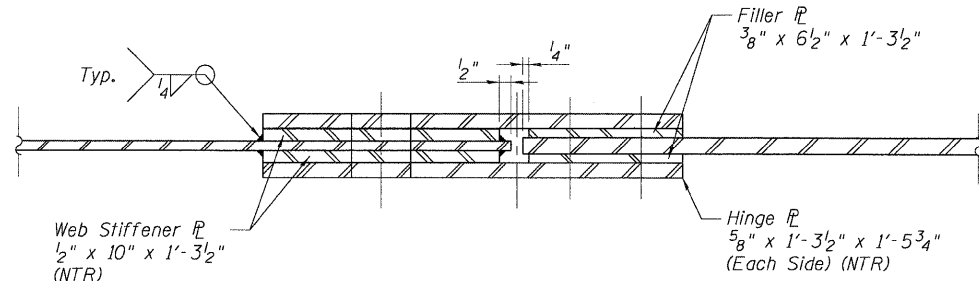
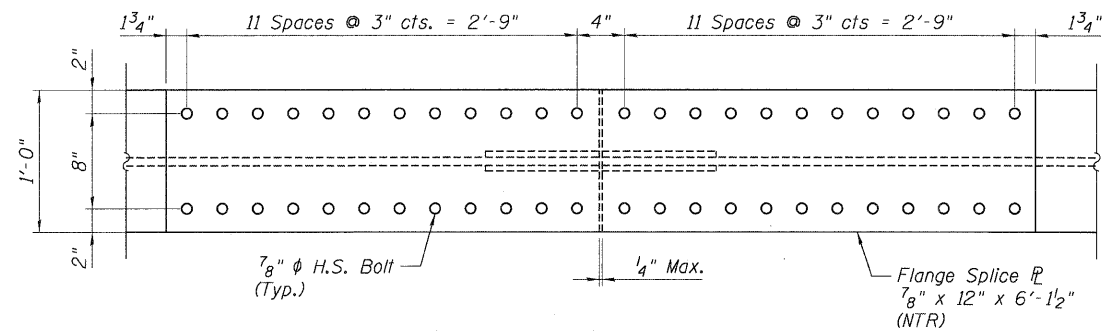


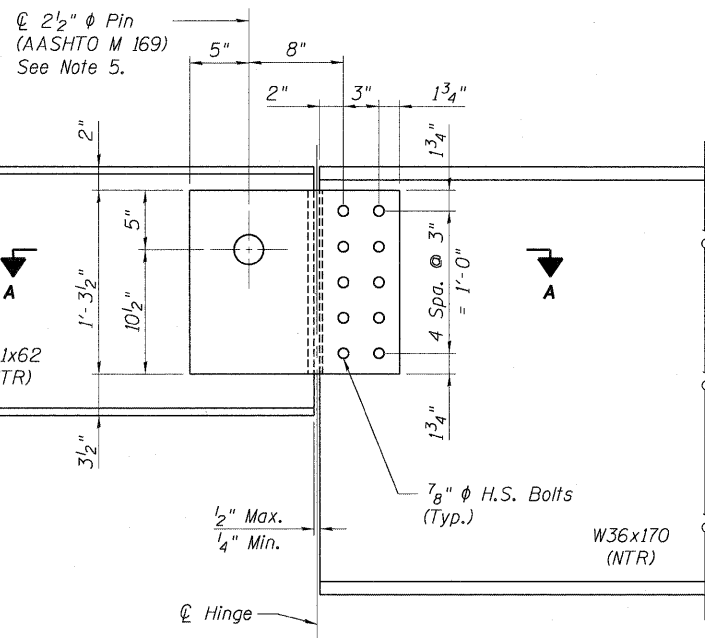
GIRDER ELEVATION
(Girders 8 and 9)



SECTION A-A



TOP & BOTTOM FLANGE



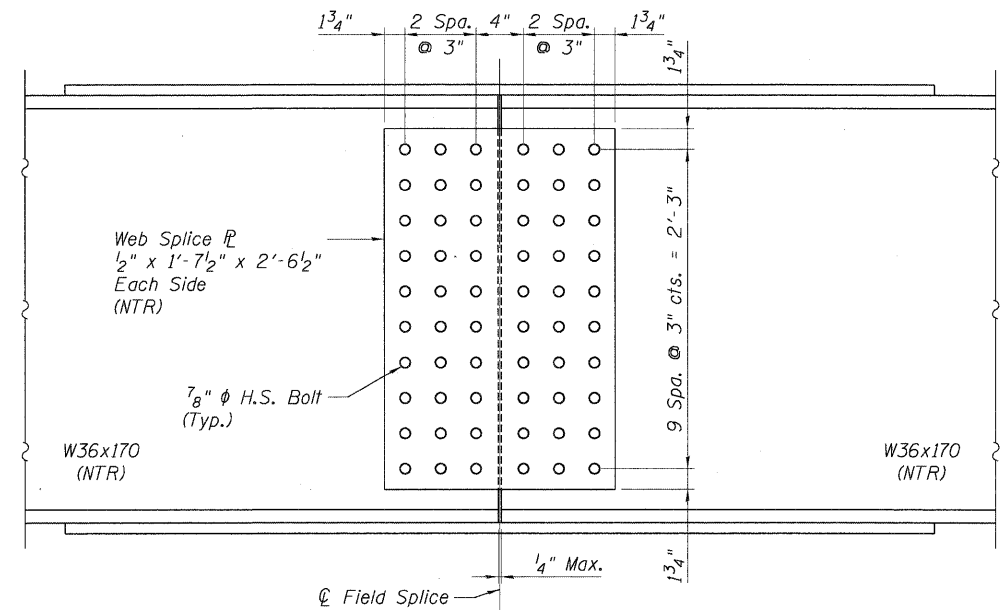
ELEVATION
HINGE DETAILS

Notes:

1. Work this sheet with Sht. S-15.
2. Load carrying components designated NTR shall conform to the Supplemental Requirements for Notch Toughness, Zone 2.
3. Fasteners shall be AASHTO M164 Type 1, mechanically galvanized bolts. Bolts 7/8" φ, holes 15/16" φ, unless noted otherwise.
4. Pins shall be AASHTO M169, with recessed threads and two locking nuts.
5. Pin hole in girder webs and hinge plates shall be subpunched and reamed through all thicknesses in shop.

TOP OF BEAM ELEVATIONS
(for fabrication only)

Beam	℄ Brg. W. Abut.	℄ Hinge	℄ Pier 1	℄ Splice	℄ Pier 2	℄ Hinge	℄ Brg. E. Abut.
8	849.80	849.86	849.88	849.89	849.93	849.95	849.91
9	849.93	850.00	850.01	850.02	850.06	850.08	850.04



ELEVATION
FIELD SPLICE DETAILS

FILE NAME = \\S:\044\VA\VAULT\D-TRANS\07\2282\21379-001\STRUCT\CAD\606-90\0450003\SHEET\0450003-60K90-001-GIRDERELEVATION.DWG
 USER NAME = #USER#
 DESIGNED - PK
 DRAWN - PK
 CHECKED - MDB
 DATE - 05/18/11
 REVISED -
 REVISED -
 REVISED -
 TENG & ASSOCIATES, INC.
 ENGINEERS/ARCHITECTS/PLANNERS
 CHICAGO, ILLINOIS
 STATE OF ILLINOIS
 DEPARTMENT OF TRANSPORTATION
 US 20 OVER MCLEAN BOULEVARD
 GIRDER ELEVATION AND DETAILS
 SCALE: SHEET NO. S-16 OF S-29 STA. 98+32.18
 F.A.P. RTE. SECTION COUNTY TOTAL SHEETS SHEET NO.
 345 BR-HB-2-BY-1 KANE 434 257
 SN 045-0003 CONTRACT NO. 60K90
 FED. ROAD DIST. NO. 7 ILLINOIS FED. AID PROJECT