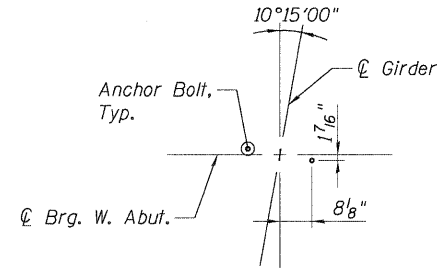
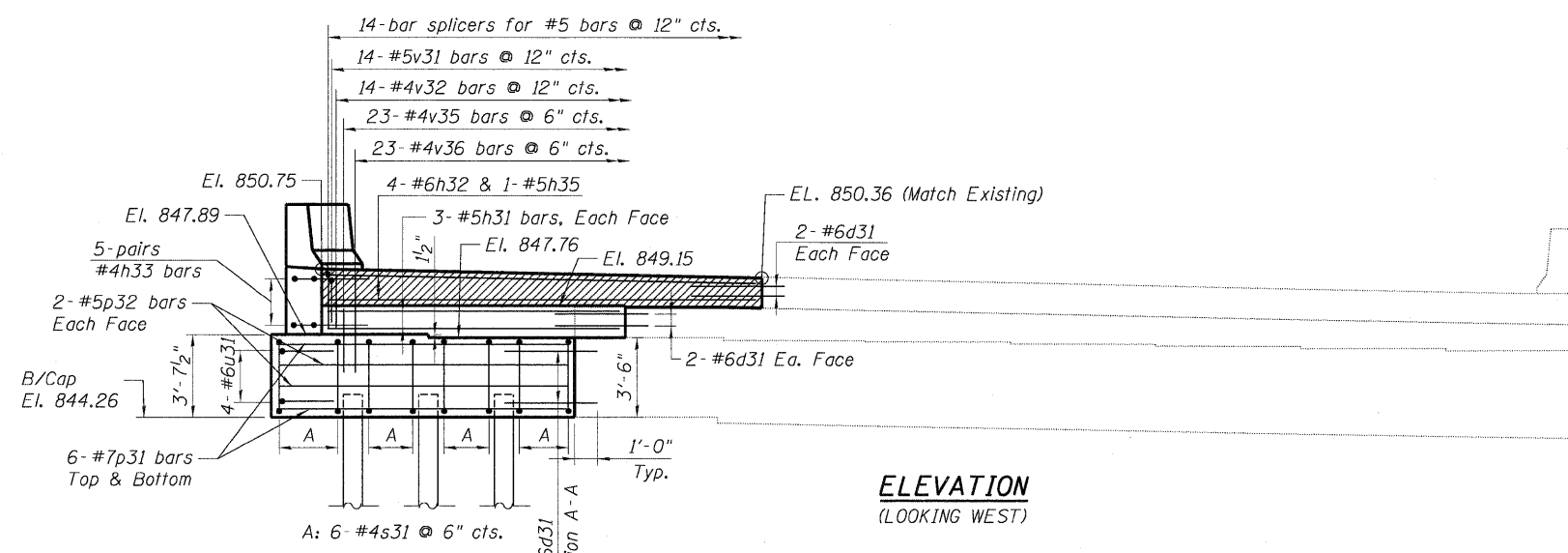


TOP VIEW



ANCHOR BOLT LAYOUT



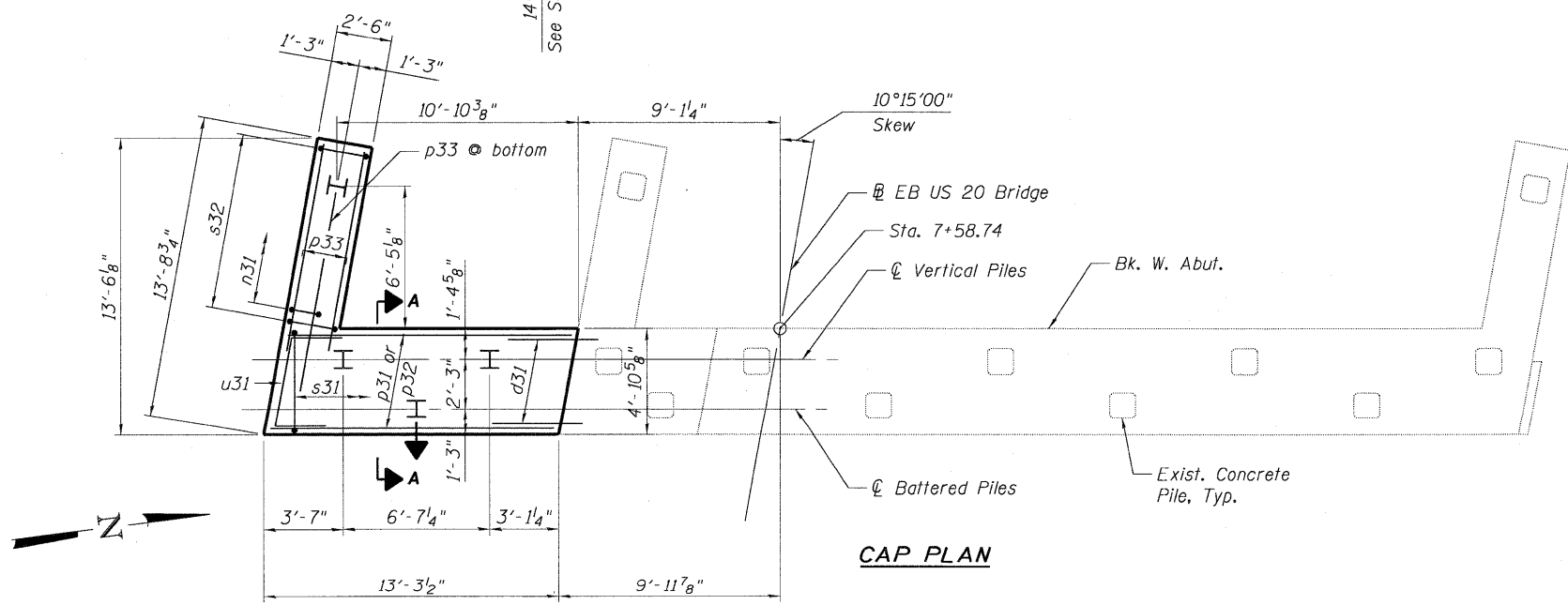
**ELEVATION
(LOOKING WEST)**

PILE DATA

Type: Steel HP 10x42 with pile shoes
 Nominal Required Bearing: 246 kips
 Allowable Resistance Available: 82 kips
 Est. Length: 30' (see Note 9)
 No. Production Piles: 4
 No. Test Piles: 0

Notes:

1. Work this sheet with Sht. S-21.
2. Space reinforcement in cap to miss anchor bolts.
3. Pour steps monolithically with cap.
4. For details of steel H-piles, see Sht. S-7.
5. For anchor bolt and bearing details, see Sht. S-18.
6. For details of bar splicers, see Sht. S-26.
7. Hatched area to be poured after superstructure false work has been removed. Quantity of concrete included with concrete superstructure.
8. Quantity of concrete in end post included with concrete superstructure.
9. No test piles will be performed; the quantity for Furnishing Steel Piles has been increased by 10' per pile to reflect the uncertainty in length required. The Contractor shall drive piles to the listed Nominal Required Bearing and cut piles at the T/Pile elevation shown. Furnishing Steel Piles shall be paid for at the actual furnished length (as shown in the bill of material). Driving Piles shall be paid for at the actual driven depth below the bottom of cap.
10. Drill and epoxy grout d31 bars in 12" min. drilled holes according to Section 584 of the Standard Specifications. Method and grout are subject to the approval of the Engineer. Locate dowels to provide a minimum of 4" clear cover. Cost of drilling and grouting bars shall be included with Reinforcement Bars.
11. For removal details, see Sht. S-3.



CAP PLAN

FILE NAME = \\S:\004\AVM\VALU\J.D. TRANS. 07.2202\21379-001\STRUCT\CAD\60K90\04-00003\SHEET\0450003-60K90-001-ABUTMENT_SHT.DGN
 TENG & ASSOCIATES, INC. ENGINEERS/ARCHITECTS/PLANNERS CHICAGO, ILLINOIS
 5-13-2011, 15:28:01

FILE NAME =	USER NAME = #USER#	DESIGNED - PK	REVISED -	STATE OF ILLINOIS DEPARTMENT OF TRANSPORTATION US 20 OVER MCLEAN BOULEVARD	WEST ABUTMENT PLAN AND ELEVATION		F.A.P. RTE.	SECTION	COUNTY	TOTAL SHEETS	SHEET NO.
#FILEL#		DRAWN - PK	REVISED -		345	8R-HB-2-BY-1	KANE	434	261		
PLOT SCALE = #SCALE#		CHECKED - MDB	REVISED -		SN 045-0003		CONTRACT NO. 60K90				
PLOT DATE = #DATE#		DATE - 05/18/11	REVISED -		SCALE:	SHEET NO. S-20 OF S-29	STA. 98+32.18	FED. ROAD DIST. NO. 7 ILLINOIS FED. AID PROJECT			