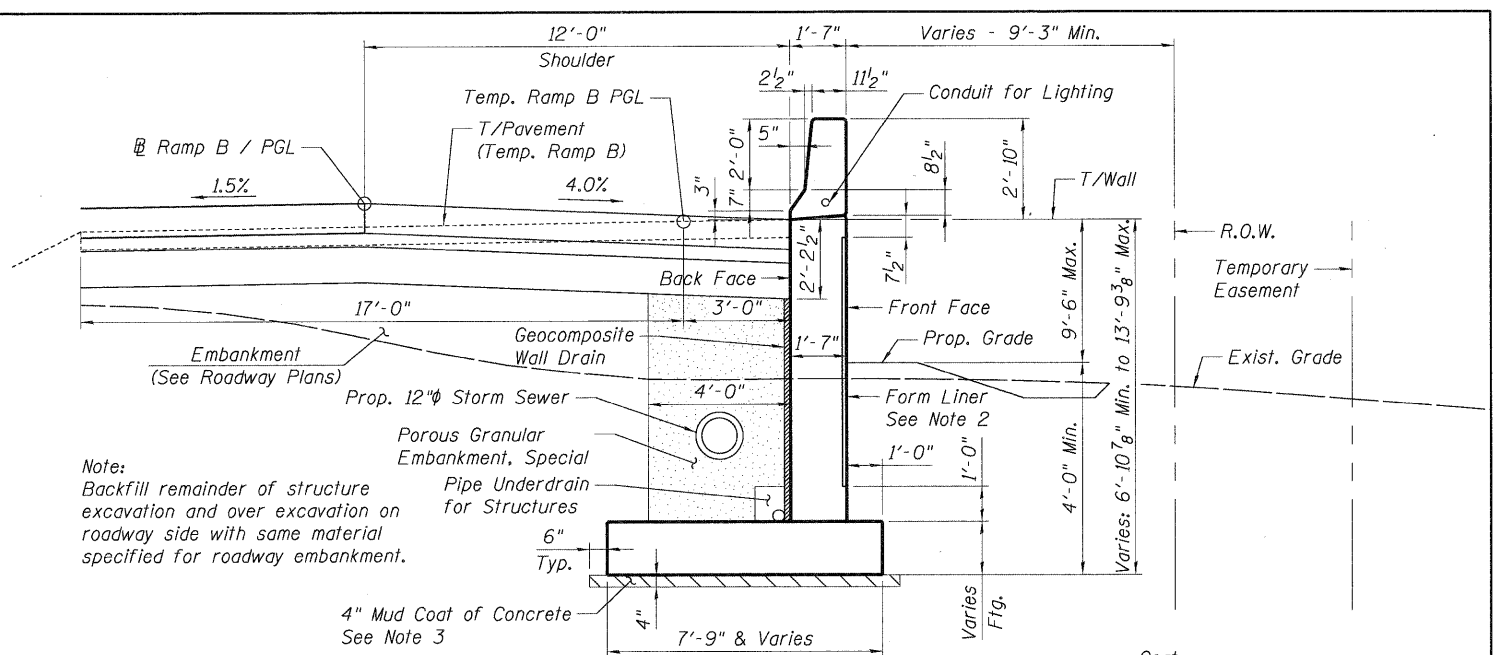


Removal and Disposal of Unsuitable Material for Structures. Backfill with compacted crushed stone (CA6, CA10 or CA18). The backfill shall be paid for as Porous Granular Embankment. \*\*

**SECTION B-B**

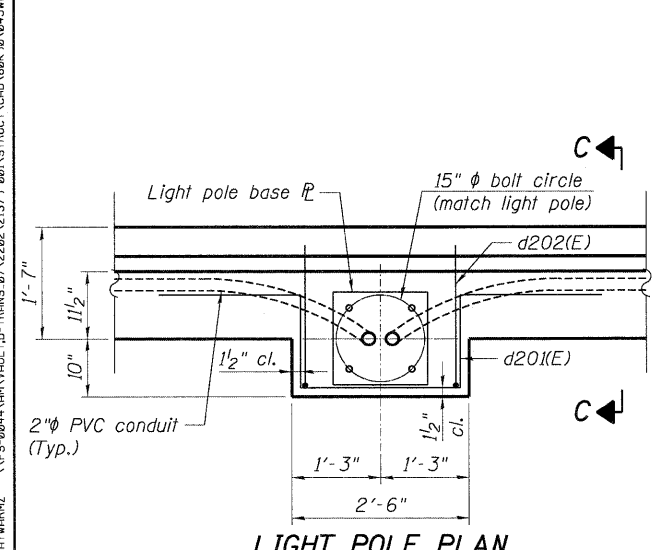
(Sta. 5+99.65 to Sta. 10+25.11)



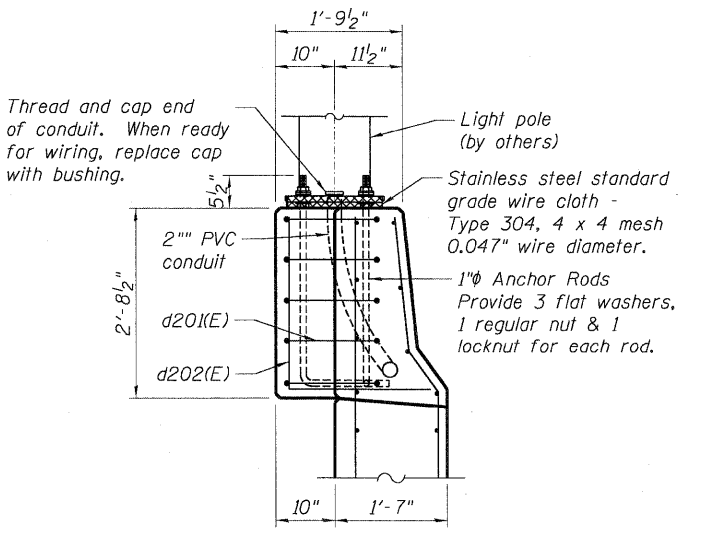
Note: Backfill remainder of structure excavation and over excavation on roadway side with same material specified for roadway embankment.

**SECTION A-A**

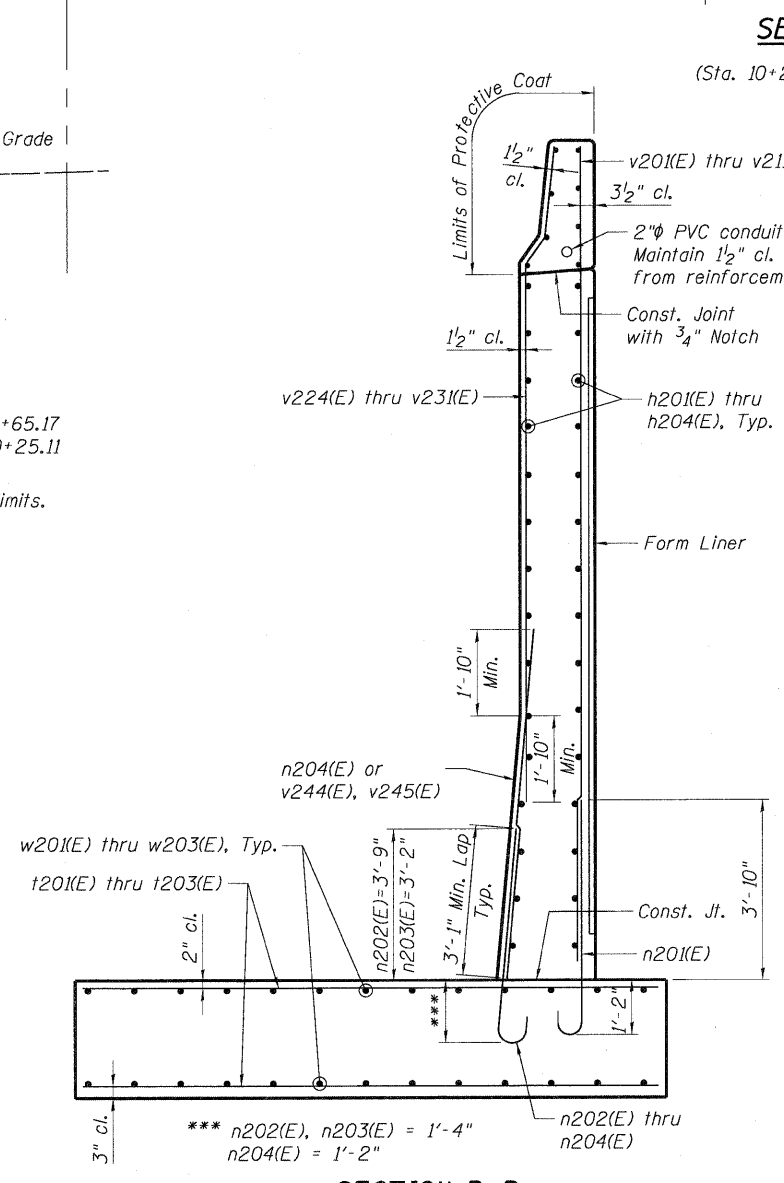
(Sta. 10+25.11 to Sta. 14+20.74)



**LIGHT POLE PLAN**

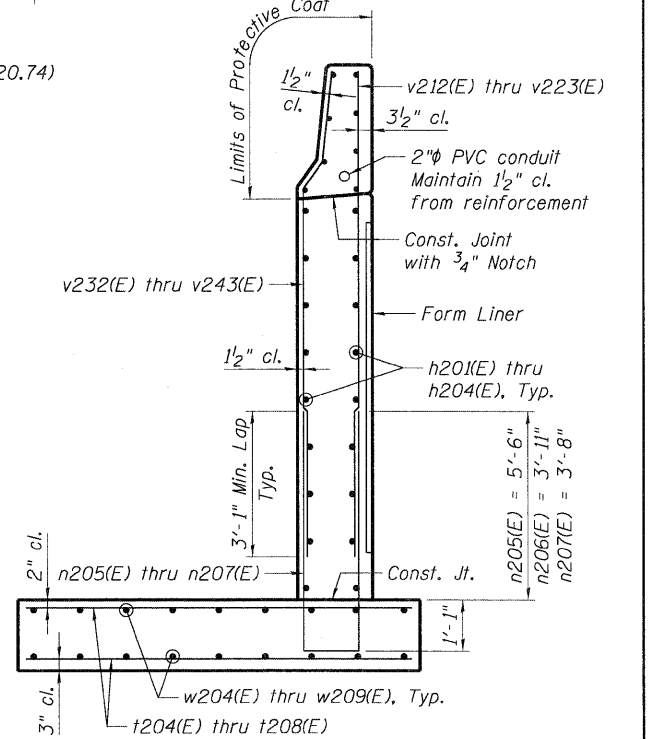


**SECTION C-C**



**SECTION B-B**

(Showing Reinforcement)



**SECTION A-A**

(Showing Reinforcement)

Maximum Applied Soil Bearing Pressure	Equivalent Uniform Soil Bearing Pressure
Sta. 5+99.65 to 8+75.25 = 5.2 ksf	Sta. 5+99.65 to 8+75.25 = 3.9 ksf
Sta. 8+75.25 to 9+65.17 = 5.0 ksf	Sta. 8+75.25 to 9+65.17 = 3.8 ksf
Sta. 9+65.17 to 10+25.11 = 4.2 ksf	Sta. 9+65.17 to 10+25.11 = 3.2 ksf
Sta. 10+25.11 to 10+55.08 = 3.5 ksf	Sta. 10+25.11 to 10+55.08 = 2.6 ksf
Sta. 10+55.08 to 10+85.05 = 3.0 ksf	Sta. 10+55.08 to 10+85.05 = 2.3 ksf
Sta. 10+85.05 to 11+45.00 = 2.5 ksf	Sta. 10+85.05 to 11+45.00 = 1.9 ksf
Sta. 11+45.00 to 13+72.78 = 2.3 ksf	Sta. 11+45.00 to 13+72.78 = 1.7 ksf
Sta. 13+72.78 to 14+20.74 = 2.0 ksf	Sta. 13+72.78 to 14+20.74 = 1.5 ksf

**Notes:**

1. Work this sheet with Shts. RW11-3 thru RW11-13.
2. For Form Liner details, see Sht. RW11-14.
3. The mud coat must be placed at the end of each work day or prior to adverse weather, whichever occurs first. The concrete shall be from an approved mix design (with a minimum compressive strength of 2,500 psi at 7 days), with a slump less than 6". Cost included in Concrete Structures.