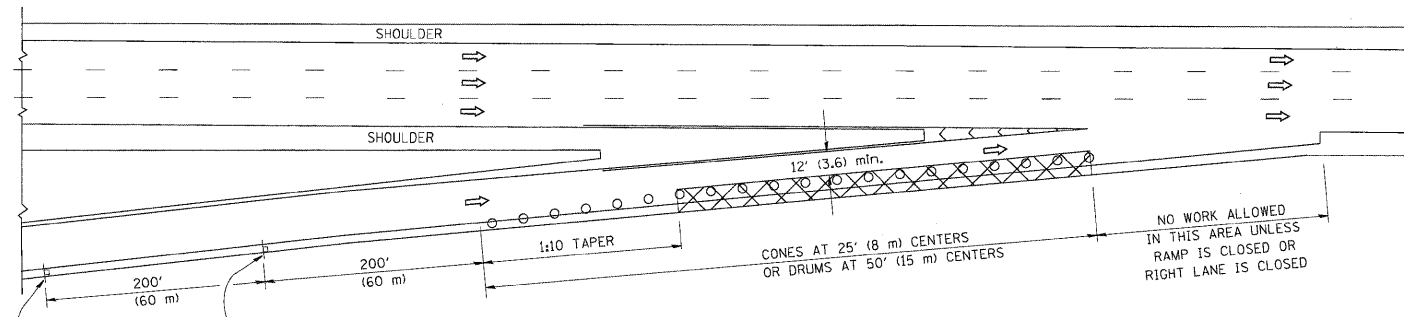
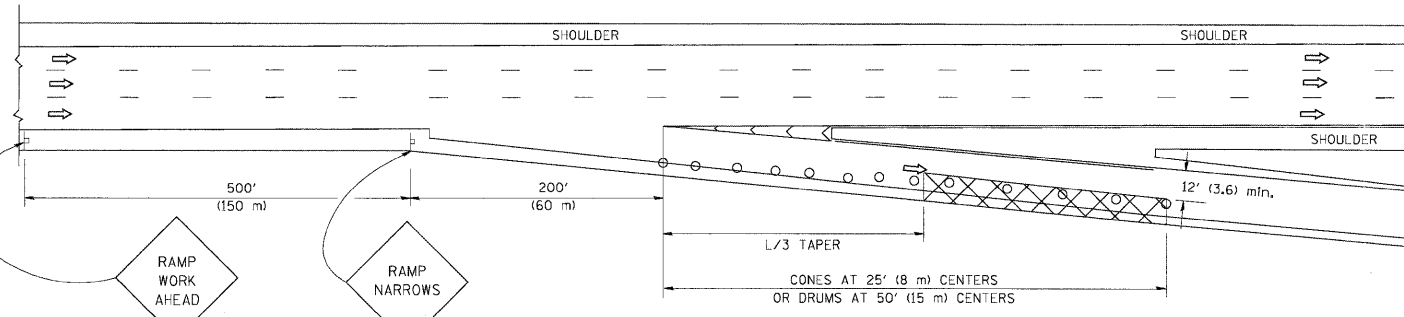


PARTIAL RAMP CLOSURE DETAILS

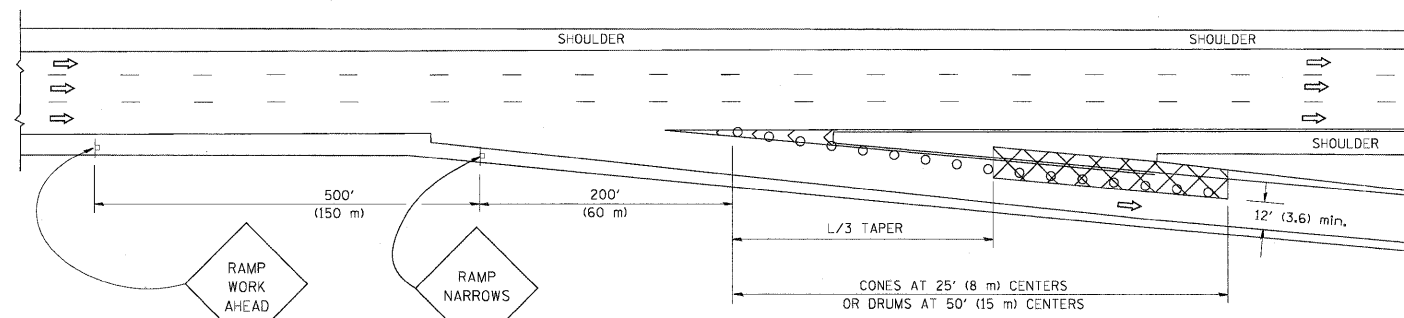
SHOULDER CLOSURE DETAILS



TYPICAL ENTRANCE RAMP



TYPICAL EXIT RAMP



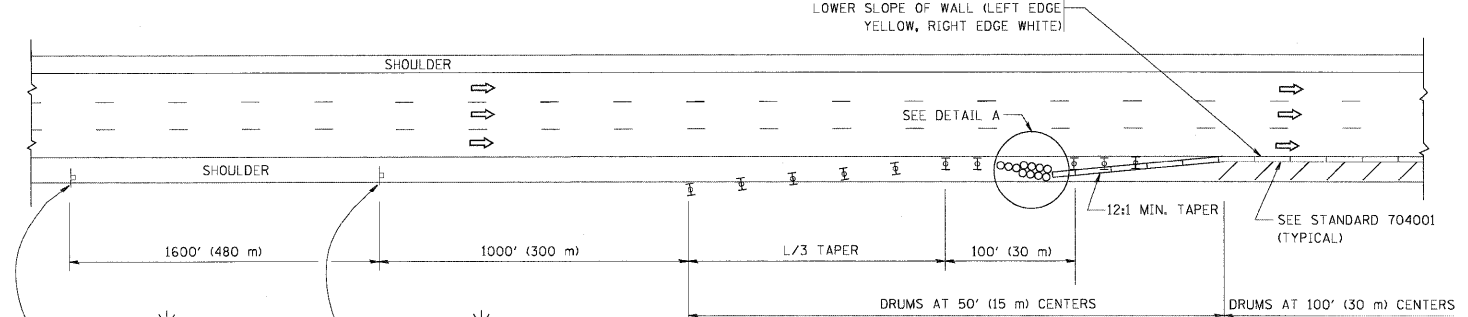
TYPICAL EXIT RAMP

SYMBOLS

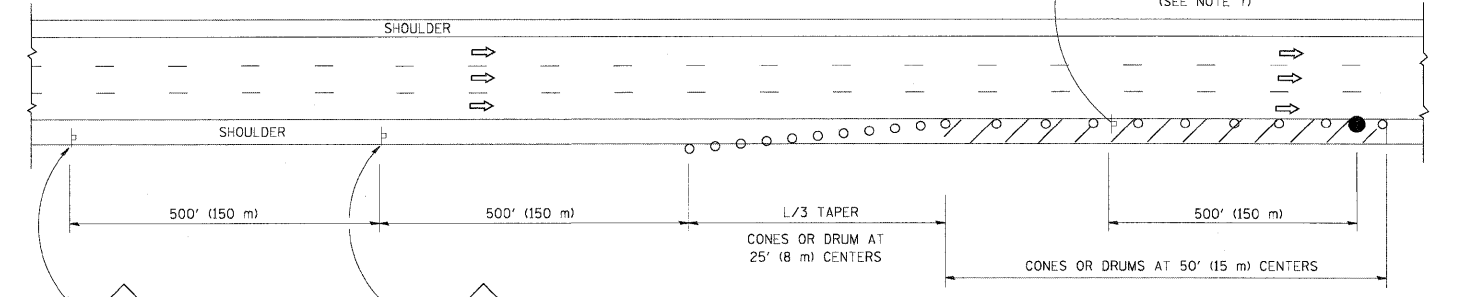
- ACTIVE WORK AREA
- SIGN ON PORTABLE OR PERMANENT SUPPORT
- FLAGGER WITH CONTROL SIGN
- TYPE II BARRICADE, DRUM OR VERTICAL BARRICADE WITH STEADY BURN MONO-DIRECTIONAL LIGHT
- CONE, DRUM OR BARRICADE

GENERAL NOTES

1. THE "L" DISTANCE EQUALS:
 SPEED LIMIT FORMULAS
 45 mph (80 km/h) METRIC ENGLISH
 OR GREATER L=0.65(WX)S L=(WX)S
 W = WIDTH OF OFFSET IN FEET (METERS)
 S = NORMAL POSTED SPEED MPH (KM/H)
2. PLASTIC DRUMS WITH HIGH PERFORMANCE REFLECTIVE SHEETING AND STEADY BURNING LIGHTS ARE REQUIRED FOR ALL NIGHTTIME CLOSURES.
3. ALL SIGNS SHALL BE POST MOUNTED IF THE CLOSURE TIME EXCEEDS FOUR DAYS.
4. FLASHING LIGHTS SHALL BE USED DURING THE HOURS OF DARKNESS AND SHALL BE INSTALLED ABOVE THE FIRST TWO SETS OF SIGNS.



PERMANENT SHOULDER CLOSURE



DAYTIME SHOULDER CLOSURE

OR WHEN SPECIFIED INSTALL TEMPORARY CONCRETE BARRIER WALL WITH BARRIER WALL REFLECTORS PER TRAFFIC CONTROL AND PROTECTION (EXPRESSWAYS).

THIS DETAIL IS USED WHERE:
 1. VEHICLES, EQUIPMENT, WORKERS OR THEIR ACTIVITIES ENCR OACH IN AN AREA CLOSER THAN 15' (4.5 m) TO THE EDGE OF PAVEMENT FOR A PERIOD IN EXCESS OF 15 MINUTES.



DETAIL "A"
 IMPACT ATTENUATOR, TEMPORARY
 (SEE NOTE 5)

ALL DIMENSIONS ARE IN INCHES (MILLIMETERS) UNLESS OTHERWISE SHOWN.

FILE NAME =
 W:\sistad\22x34\17.dgn

USER NAME = legoo
 DESIGNED -
 DRAWN - D.W.S.
 PLOT SCALE = 50.0000' / IN.
 PLOT DATE = 1/26/2010

REVISED - 04-03
 REVISED - J.A.F. 12-06
 REVISED - S.P.B. 01-07
 REVISED - S.P.B. 12-09

STATE OF ILLINOIS
 DEPARTMENT OF TRANSPORTATION

TRAFFIC CONTROL DETAILS FOR FREEWAY
 SHOULDER CLOSURES AND PARTIAL RAMP CLOSURES
 SCALE: NONE SHEET NO. 1 OF 1 SHEETS STA. TO STA.

F.A.P. RTE.	SECTION	COUNTY	TOTAL SHEETS	SHEET NO.
345	8R-HB-2-BY-1	KANE	434	314
TC-17		CONTRACT NO. 60K90		
FED. ROAD DIST. NO. 1 ILLINOIS FED. AID PROJECT				