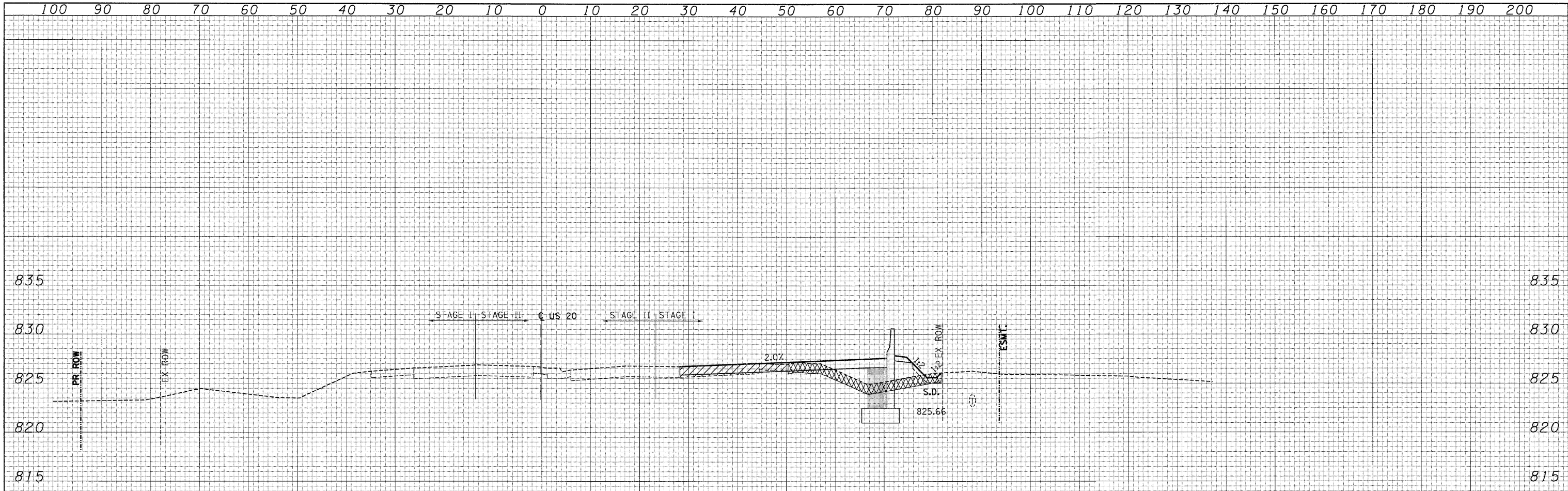


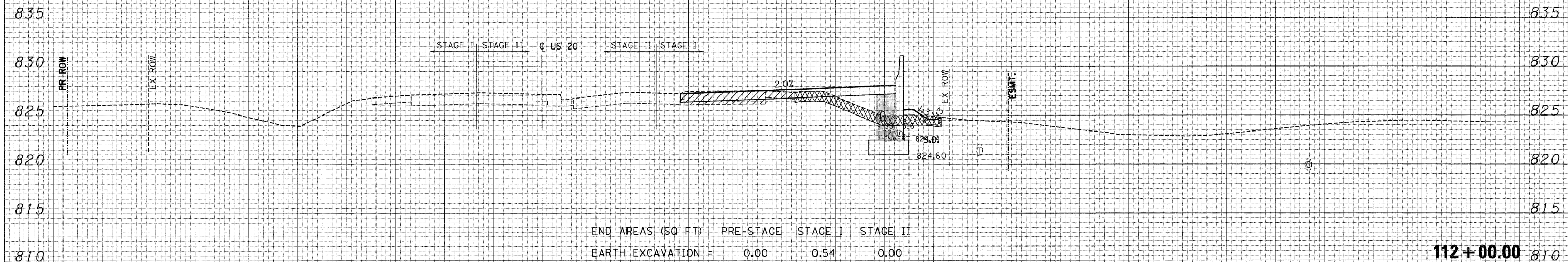
DATE \_\_\_\_\_  
 BY \_\_\_\_\_  
 SURVEYED \_\_\_\_\_  
 PLOTTED \_\_\_\_\_  
 NOTE BOOK \_\_\_\_\_  
 AREAS CHECKED \_\_\_\_\_  
 NO. \_\_\_\_\_

DATE \_\_\_\_\_  
 BY \_\_\_\_\_  
 SURVEYED \_\_\_\_\_  
 PLOTTED \_\_\_\_\_  
 NOTE BOOK \_\_\_\_\_  
 AREAS CHECKED \_\_\_\_\_  
 NO. \_\_\_\_\_



END AREAS (SQ FT)	PRE-STAGE	STAGE I	STAGE II
EARTH EXCAVATION =	0.00	0.67	0.00
EMBANKMENT =	0.00	38.22	0.00
UNS MATL (TOPSOIL EXCAVATION) =	0.00	31.32	0.00
PGE SUBGRADE =	0.00	0.00	0.00

**112 + 49.65**



END AREAS (SQ FT)	PRE-STAGE	STAGE I	STAGE II
EARTH EXCAVATION =	0.00	0.54	0.00
EMBANKMENT =	0.00	37.07	0.00
UNS MATL (TOPSOIL EXCAVATION) =	0.00	29.90	0.00
PGE SUBGRADE =	0.00	0.00	0.00

**112 + 00.00**

**LEGEND:**

- UNSUITABLE MATERIAL
- EXISTING PAVEMENT REMOVAL
- PGE SUBGRADE
- PGE, SPECIAL