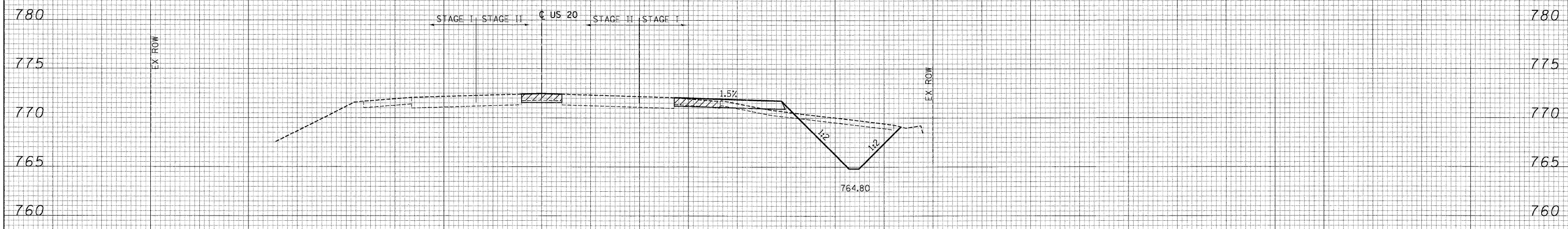


100 90 80 70 60 50 40 30 20 10 0 10 20 30 40 50 60 70 80 90 100 110 120 130 140 150 160 170 180 190 200

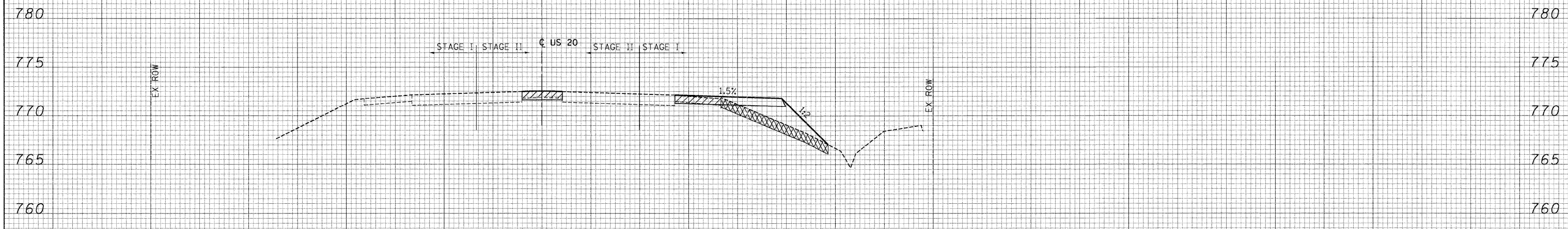
FINAL SURVEY	SURVEYED	DATE
PLOTTED	BY	
NOTE BOOK		
AREAS CHECKED		
NO.		

ORIGINAL SURVEY	SURVEYED	DATE
PLOTTED	BY	
NOTE BOOK		
AREAS CHECKED		
NO.		



END AREAS (SQ FT)	PRE-STAGE	STAGE I	STAGE II
EARTH EXCAVATION =	0.00	51.24	1.75
EMBANKMENT =	0.00	6.37	0.00
UNS MATL (TOPSOIL EXCAVATION) =	0.00	0.00	0.00
PGE SUBGRADE =	0.00	0.00	0.00

**151 + 50.00**



END AREAS (SQ FT)	PRE-STAGE	STAGE I	STAGE II
EARTH EXCAVATION =	0.00	0.65	1.75
EMBANKMENT =	0.00	38.93	0.00
UNS MATL (TOPSOIL EXCAVATION) =	0.00	21.91	0.00
PGE SUBGRADE =	0.00	0.00	0.00

**151 + 36.18**

**LEGEND:**

- UNSUITABLE MATERIAL
- EXISTING PAVEMENT REMOVAL
- PGE SUBGRADE
- PGE, SPECIAL

100 90 80 70 60 50 40 30 20 10 0 10 20 30 40 50 60 70 80 90 100 110 120 130 140 150 160 170 180 190 200