


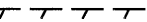
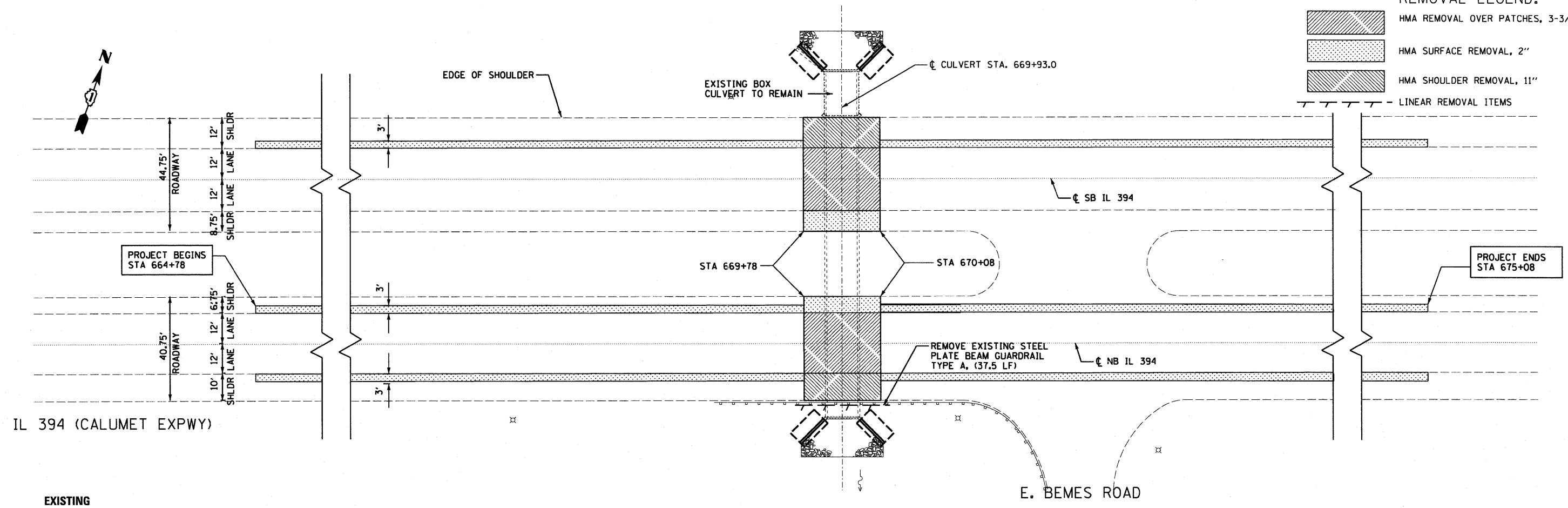




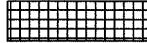

REMOVAL LEGEND:

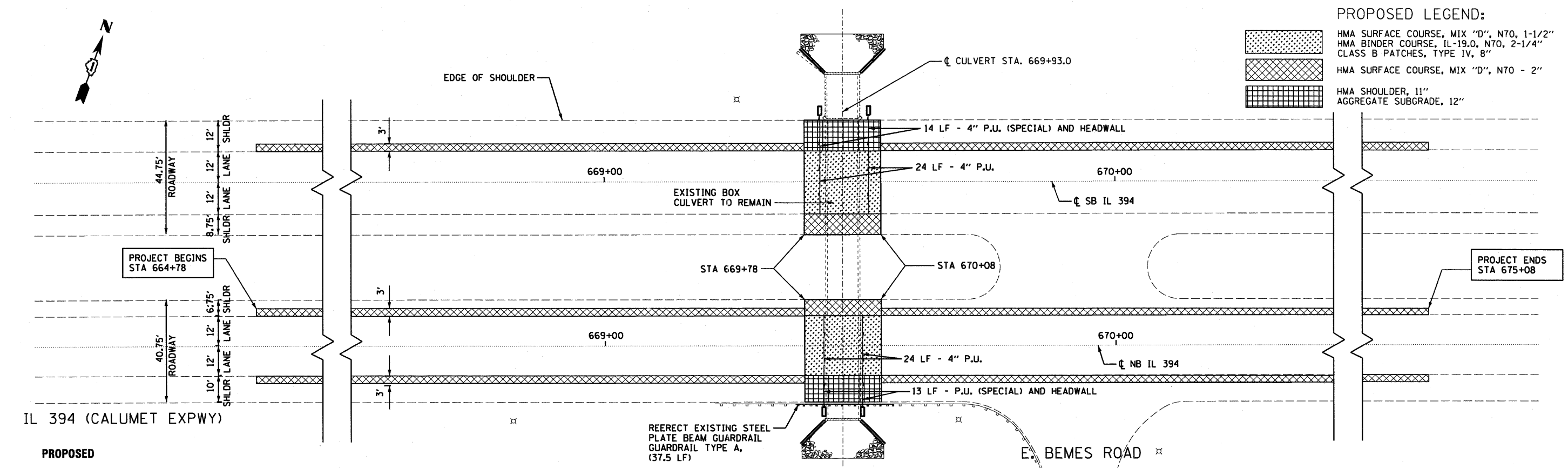
-  HMA REMOVAL OVER PATCHES, 3-3/4"
-  HMA SURFACE REMOVAL, 2"
-  HMA SHOULDER REMOVAL, 11"
-  LINEAR REMOVAL ITEMS



EXISTING

PROPOSED LEGEND:

-  HMA SURFACE COURSE, MIX "D", N70, 1-1/2"
-  HMA BINDER COURSE, IL-19.0, N70, 2-1/4" CLASS B PATCHES, TYPE IV, 8"
-  HMA SURFACE COURSE, MIX "D", N70 - 2"
-  HMA SHOULDER, 11" AGGREGATE SUBGRADE, 12"



PROPOSED

FILE NAME =	USER NAME = #USER#	DESIGNED - JMS	REVISED -	STATE OF ILLINOIS DEPARTMENT OF TRANSPORTATION	ROADWAY PLAN	F.A.P. RTE. 332	SECTION	COUNTY	TOTAL SHEETS	SHEET NO.
	PLOT SCALE = #SCALE#	DRAWN - DR	REVISED -				2010-067-T	WILL	15	4
	PLOT DATE = #DATE#	CHECKED - JMH	REVISED -	SCALE:	SHEET NO. OF SHEETS STA. TO STA.	CONTRACT NO. 60L49				
						ILLINOIS FED. AID PROJECT				