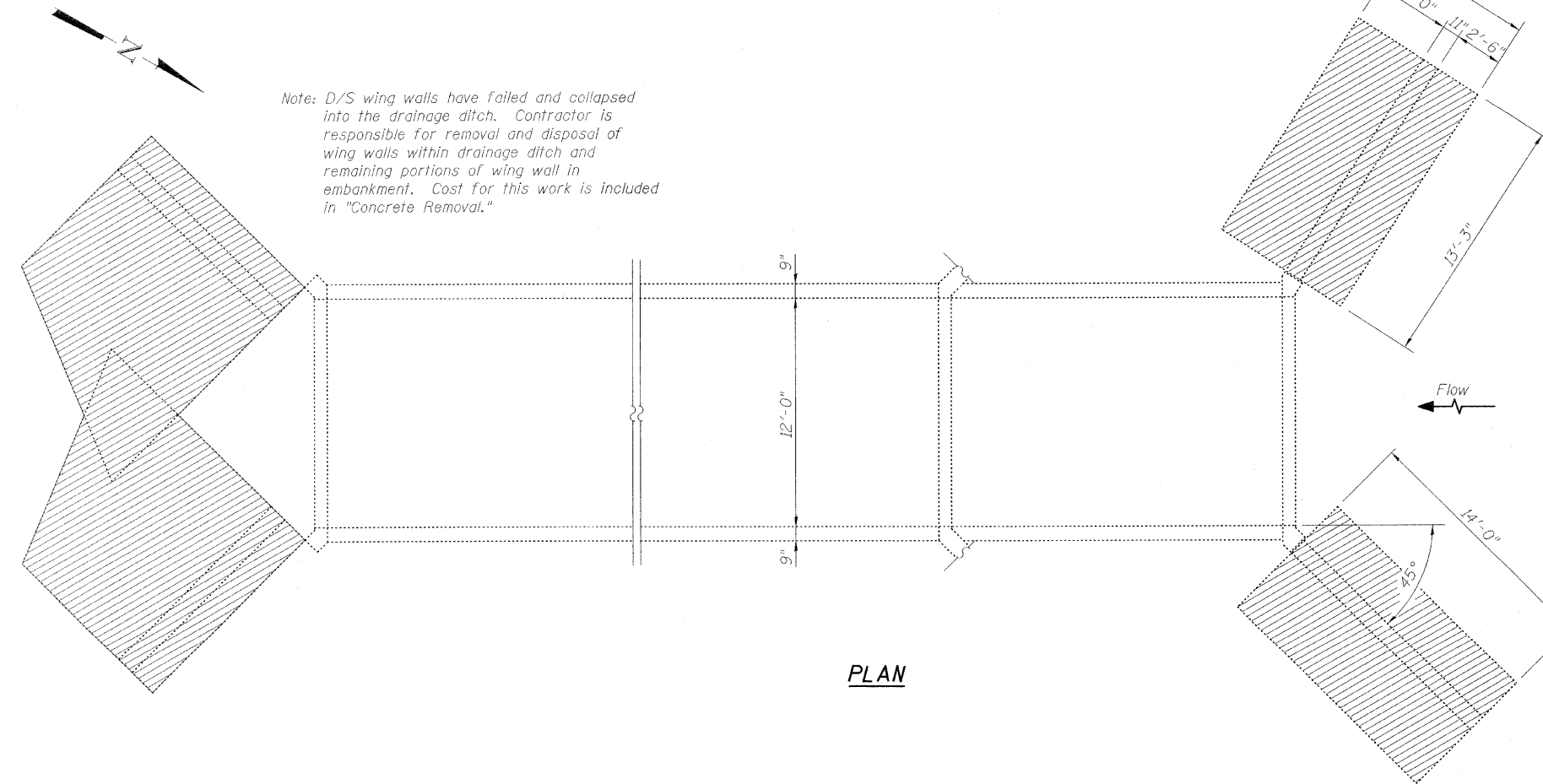



ELEVATION



PLAN

BILL OF MATERIAL

SYMBOL	ITEM	UNIT	QUANTITY
	Concrete Removal	Cu. Yd.	36.3