

STATE OF ILLINOIS
DEPARTMENT OF TRANSPORTATION
DIVISION OF HIGHWAYS

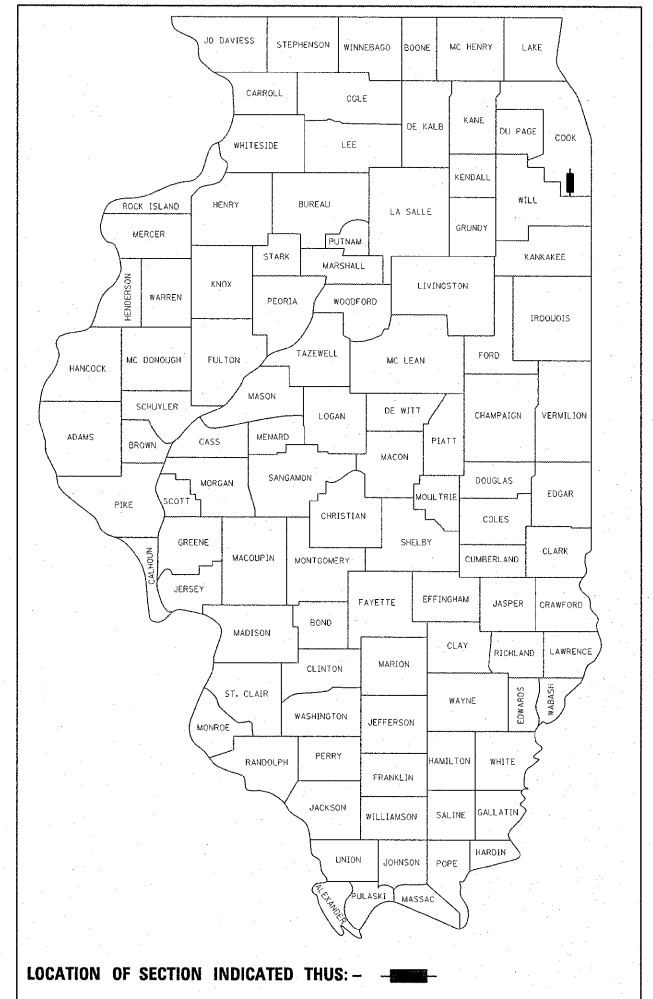
**PROPOSED
HIGHWAY PLANS**

FAU 2612 (STATE STREET)
127TH ST. TO WILL COUNTY LINE
SECTION: 2010-108-RS
RESURFACING

COOK COUNTY
C-91-102-11

F.A.U. RTE.	SECTION	COUNTY	TOTAL SHEETS	SHEET NO.
2612	2010-108-RS	COOK	18	1
FED. ROAD DIST. NO.	ILLINOIS	CONTRACT NO. 60M35		

D -91-102-11



LOCATION OF SECTION INDICATED THUS: - ■ -

FOR INDEX OF SHEETS, SEE SHEET NO. 2

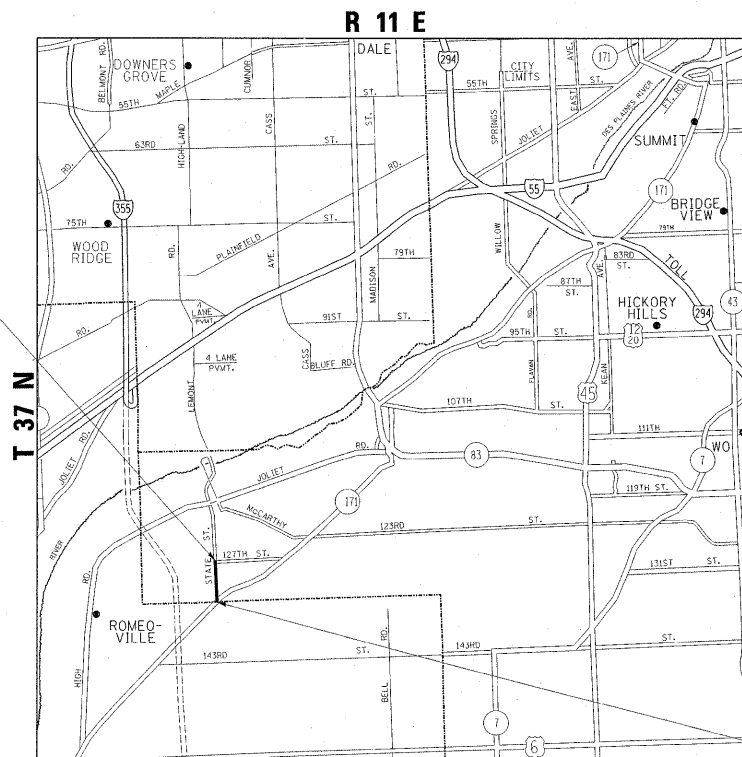
THE PROJECT IS LOCATED IN
THE VILLAGE OF LEMONT

TRAFFIC DATA

2006 ADT = 9,600
POSTED SPEED LIMIT = 35-40 MPH

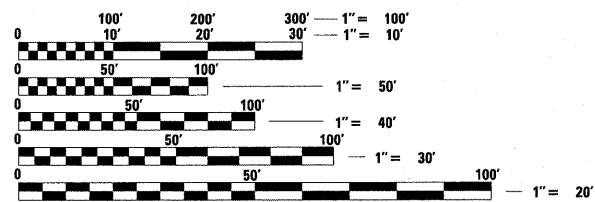
PROJECT ENDS
STA. 58+15

OMISSION
STA. 5+67 TO STA. 7+25
STA. 12+13 TO STA. 17+74



PROJECT BEGINS
STA. 4+00

LEMONT TOWNSHIP



FULL SIZE PLANS HAVE BEEN PREPARED USING STANDARD
ENGINEERING SCALES. REDUCED SIZED PLANS WILL NOT
CONFORM TO STANDARD SCALES. IN MAKING MEASUREMENTS
ON REDUCED PLANS, THE ABOVE SCALES MAY BE USED.

C.U.A.N.
CHICAGO UTILITY ALERT NETWORK
(312) 744-7000

PROJECT ENGINEER KARI SMITH (847) 705-4437
PROJECT MANAGER KEN ENG (847) 705-4247

GROSS LENGTH OF PROJECT = 5,415 LINEAL FEET = 1.025 MILE
NET LENGTH OF PROJECT = 4,696 LINEAL FEET = 0.889 MILE

CONTRACT NO. 60M35

STATE OF ILLINOIS
DEPARTMENT OF TRANSPORTATION
DIVISION OF HIGHWAYS

SUBMITTED MAY 16, 20 11

Diane M. O'Keefe
DEPUTY DIRECTOR OF HIGHWAYS, REGION ENGINEER

July 1 20 11
Scott E. Stett P.E.
Acting ENGINEER OF DESIGN AND ENVIRONMENT

July 1 20 11
Christine M. Reed
DIRECTOR OF HIGHWAYS, CHIEF ENGINEER

PRINTED BY THE AUTHORITY
OF THE STATE OF ILLINOIS

INDEX OF SHEETS

SHEET NO.	DESCRIPTION
1	COVER SHEET
2	INDEX OF SHEETS, STANDARDS, AND GENERAL NOTES
3	SUMMARY OF QUANTITIES
4	TYPICAL SECTIONS PLAN
5-6	ROADWAY & PAVEMENT MARKINGS PLANS
7-8	DETECTOR LOOP REPLACEMENT PLANS
9	DETAILS FOR FRAMES AND LIDS ADJUSTMENT WITH MILLING
10	PAVEMENT PATCHING FOR HMA SURFACED PAVEMENT
11	BUTT JOINT AND HMA TAPER DETAILS
12	TRAFFIC CONTROL AND PROTECTION FOR SIDE ROADS, INTERSECTIONS, AND DRIVEWAYS
13	TYPICAL APPLICATIONS RAISED REFLECTIVE PAVEMENT MARKERS (SNOW-PLOW RESISTANT)
14	DISTRICT ONE TYPICAL PAVEMENT MARKINGS
15	TRAFFIC CONTROL AND PROTECTION AT TURN BAYS (TO REMAIN OPEN TO TRAFFIC)
16	PAVEMENT MARKING LETTERS AND SYMBOLS FOR TRAFFIC STAGING
17	ARTERIAL ROAD INFORMATION SIGN
18	DISTRICT ONE DETECTOR LOOP INSTALLATION DETAILS FOR ROADWAY RESURFACING

LIST OF STATE STANDARDS

STANDARD NO.	DESCRIPTION
000001-06	STANDARD SYMBOLS, ABBREVIATIONS AND PATTERNS
442201-03	CLASS C AND D PATCHES
604001-03	FRAME AND LIDS, TYPE 1
701301-04	LANE CLOSURE, 2L, 2W, SHORT TIME OPERATIONS
701311-03	LANE CLOSURE, 2L, 2W MOVING OPERATIONS - DAY ONLY
701501-06	URBAN LANE CLOSURE, 2L, 2W UNDIVIDED
701606-07	URBAN LANE CLOSURE, MULTILANE 2W WITH MOUNTABLE MEDIAN
701701-07	URBAN LANE CLOSURE, MULTILANE INTERSECTION
701901-01	TRAFFIC CONTROL DEVICES

GENERAL NOTES

THE CONTRACTOR SHALL COORDINATE CONSTRUCTION ACTIVITIES WITH UTILITY COMPANIES, THE VILLAGE OF LEMONT

THE CONTRACTOR WILL NOT BE ALLOWED TO SET UP A YARD OR FIELD OFFICE ON STATE PROPERTY WITHOUT WRITTEN PERMISSION FROM THE DEPARTMENT

WHEN MILLED PAVEMENT IS OPEN TO TRAFFIC THE MAXIMUM GRADE DIFFERENTIAL BETWEEN PASSES OF THE MILLING MACHINE SHALL NOT EXCEED 1 1/2 INCHES (40 MM) WHERE THE SPEED LIMIT IS 45 MPH (45 KM/H) OR LESS AND 1 INCH WHERE THE SPEED LIMIT IS GREATER THAN 45 MPH (45 KM/H). WITH WRITTEN APPROVAL FROM THE ENGINEER, A MAXIMUM GRADE DIFFERENTIAL OF 3 INCHES MAY BE ALLOWED IF THE EDGE OF THE MILLING IS SLOPED A MINIMUM 1:3 (V:H).

BUTT JOINTS WILL BE INSTALLED AT THE ENDS OF ALL RESURFACING (WHERE RESURFACING MEETS EXISTING PAVEMENT), IN ACCORDANCE WITH THE "BUTT JOINT AND HOT-MIX ASPHALT TAPER DETAILS" SHEET INCLUDED IN THE PLANS, UNLESS OTHERWISE SPECIFIED.

THE RESIDENT ENGINEER SHALL CONTACT MS. PATRICE HARRIS AREA TRAFFIC FIELD ENGINEER AT (708) 597-9800 A MINIMUM OF 2 WEEKS PRIOR TO PLACEMENT OF PERMANENT PAVEMENT MARKINGS.

THE RESIDENT ENGINEER SHALL VERIFY ALL EXISTING PAVEMENT MARKINGS BEFORE MILLING

DO NOT SCALE PLANS FOR CONSTRUCTION DIMENSIONS

ALL PAVEMENT PATCHING LOCATIONS WILL BE DETERMINED IN THE FIELD BY THE ENGINEER.

IT SHALL BE THE CONTRACTOR'S RESPONSIBILITY TO VERIFY ALL DIMENSIONS AND CONDITIONS EXISTING IN THE FIELD PRIOR TO CONSTRUCTION AND ORDERING OF MATERIALS

THE CONTRACTOR SHALL CONTACT THE DISTRICT ONE TRAFFIC CONTROL SUPERVISOR AT (847)705-4470 A MINIMUM OF 72 HOURS IN ADVANCE OF BEGINNING WORK.

THE CONTRACTOR SHALL BE REQUIRED TO PROVIDE ACCESS TO ABUTTING PROPERTY AT ALL TIMES DURING THE CONSTRUCTION OF THIS PROJECT.

BEFORE BEGINNING ANY WORK, THE CONTRACTOR SHALL RETAIN AND RECORD FOR FUTURE REFERENCE, ALL EXISTING PAVEMENT MARKING LINES (AND RAISED REFLECTIVE MARKERS) IN ORDER THAT THESE LOCATIONS CAN BE RE-ESTABLISHED FOR STRIPING, EXACT LOCATIONS OF ALL PAVEMENT MARKINGS SHALL BE AS DIRECTED BY THE ENGINEER.

FILE NAME =	USER NAME = gull1aumeftp	DESIGNED -	REVISED -	STATE OF ILLINOIS DEPARTMENT OF TRANSPORTATION	INDEX OF SHEETS, LIST OF STATE STANDARDS & GENERAL NOTES STATE ST. (127TH ST. TO WILL COUNTY LINE)	F.A.U. RTE.	SECTION	COUNTY	TOTAL SHEETS	SHEET NO.
et:\pwork\pwork\gull1aumeftp\d0246850\110211\act\plan.dgn	DRAWN -	REVISED -	2612			2010-108-RS	COOK	18	2	
PLOT SCALE = 50.0000' / IN.	CHECKED -	REVISED -	CONTRACT NO. 60M35							
PLOT DATE = 5/16/2011	DATE -	REVISED -	FED. ROAD DIST. NO. ILLINOIS FED. AID PROJECT							
				SCALE: 1"=50'		SHEET NO. 1 OF 1 SHEETS		STA. TO STA.		

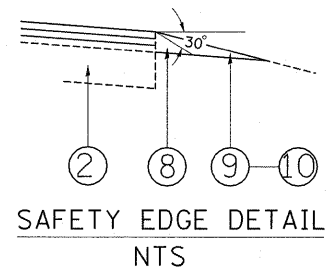
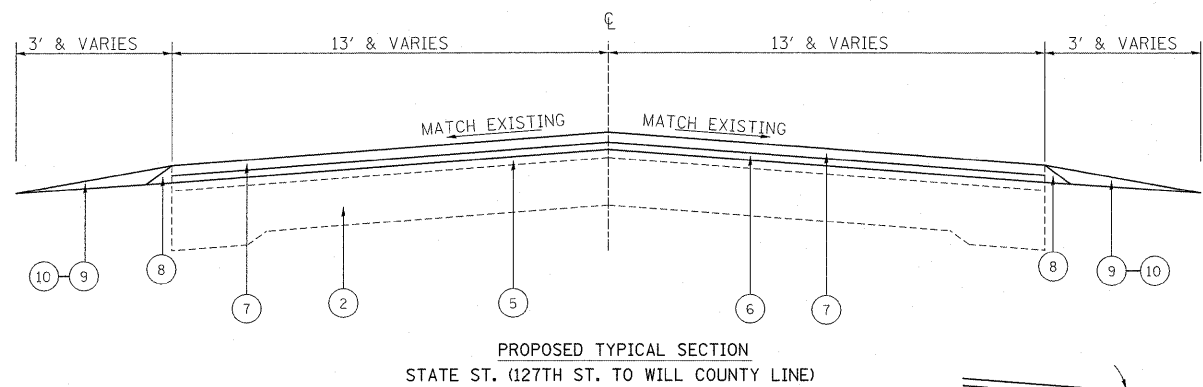
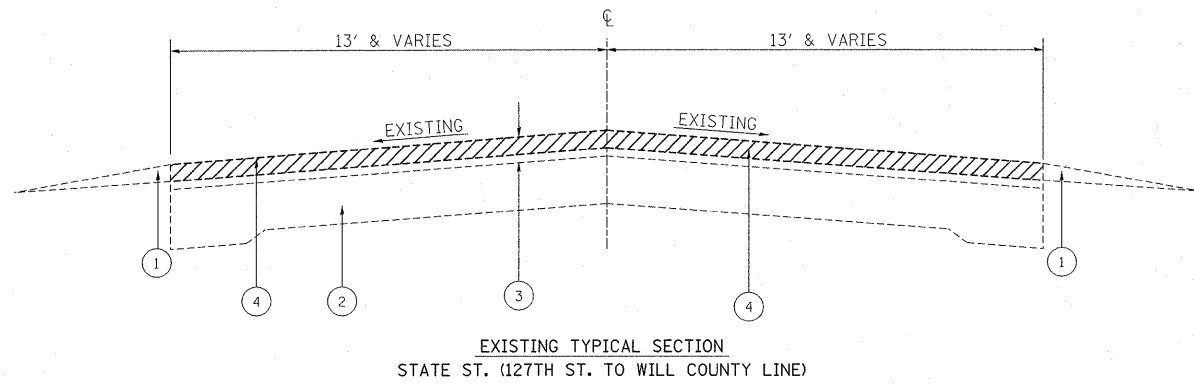
SUMMARY OF QUANTITIES			URBAN 100% STATE	CONSTRUCTION TYPE CODE						SUMMARY OF QUANTITIES			URBAN 100% STATE	CONSTRUCTION TYPE CODE					
CODE NO	ITEM	UNIT	TOTAL QUANTITIES	ROADWAY 0005						CODE NO	ITEM	UNIT	TOTAL QUANTITIES	ROADWAY 0005					
40600200	BITUMINOUS MATERIALS (PRIME COAT)	TON	16	16						* 78000500	THERMOPLASTIC PAVEMENT MARKING - LINE 8"	FOOT	140	140					
40600300	AGGREGATE (PRIME COAT)	TON	80	80						* 78000600	THERMOPLASTIC PAVEMENT MARKING - LINE 12"	FOOT	1050	1050					
40600400	MIXTURE FOR CRACKS, JOINTS, AND FLANGEWAYS	TON	30	30						* 78000650	THERMOPLASTIC PAVEMENT MARKING - LINE 24"	FOOT	250	250					
40600895	CONSTRUCTING TEST STRIP	EACH	1	1						* 78100100	RAISED REFLECTIVE PAVEMENT MARKER	EACH	120	120					
40600982	HOT-MIX ASPHALT SURFACE REMOVAL - BUTT JOINT	SO YD	380	380						78300200	RAISED REFLECTIVE PAVEMENT MARKER REMOVAL	EACH	40	40					
40603340	HOT-MIX ASPHALT SURFACE COURSE, MIX "D", N70	TON	1680	1680						* 88600600	DETECTOR LOOP REPLACEMENT	FOOT	494	494					
44000158	HOT-MIX ASPHALT SURFACE REMOVAL, 2-1/4"	SO YD	20000	20000						X2020110	GRADING AND SHAPING SHOULDERS	UNIT	68	68					
44201777	CLASS D PATCHES, TYPE II, 11 INCH	SO YD	63	63						X4060826	POLYMERIZED LEVELING BINDER (MACHINE METHOD), IL-4.75, N50	TON	825	825					
44201781	CLASS D PATCHES, TYPE III, 11 INCH	SO YD	126	126						X5539700	STORM SEWERS TO BE CLEANED	FOOT	100	100					
44201783	CLASS D PATCHES, TYPE IV, 11 INCH	SO YD	441	441						X6030310	FRAMES AND LIDS TO BE ADJUSTED (SPECIAL)	EACH	2	2					
48102100	AGGREGATE WEDGE SHOULDER, TYPE B	TON	200	200						Z0018500	DRAINAGE STRUCTURES TO BE CLEANED	EACH	10	10					
60262700	INLETS TO BE RECONSTRUCTED	EACH	1	1						Z0018600	DRAINAGE STRUCTURES TO BE RECONSTRUCTED	EACH	1	1					
67000400	ENGINEER'S FIELD OFFICE, TYPE A	CAL MO	6	6						Z0030850	TEMPORARY INFORMATION SIGNING	SO FT	51.4	51.4					
67100100	MOBILIZATION	L SUM	1	1															
70102620	TRAFFIC CONTROL AND PROTECTION, STANDARD 701501	L SUM	1	1															
70102625	TRAFFIC CONTROL AND PROTECTION, STANDARD 701606	L SUM	1	1															
70102635	TRAFFIC CONTROL AND PROTECTION, STANDARD 701701	L SUM	1	1															
70300100	SHORT TERM PAVEMENT MARKING	FOOT	2580	2580															
70300210	TEMPORARY PAVEMENT MARKING LETTERS AND SYMBOLS	SO FT	217.8	217.8															
70300220	TEMPORARY PAVEMENT MARKING - LINE 4"	FOOT	18200	18200															
70300240	TEMPORARY PAVEMENT MARKING - LINE 6"	FOOT	2030	2030															
70300250	TEMPORARY PAVEMENT MARKING - LINE 8"	FOOT	140	140															
70300260	TEMPORARY PAVEMENT MARKING - LINE 12"	FOOT	1050	1050															
70300280	TEMPORARY PAVEMENT MARKING - LINE 24"	FOOT	250	250															
70301000	WORK ZONE PAVEMENT MARKING REMOVAL	SO FT	290	290															
* 78000100	THERMOPLASTIC PAVEMENT MARKING - LETTERS AND SYMBOLS	SO FT	217.8	217.8															
* 78000200	THERMOPLASTIC PAVEMENT MARKING - LINE 4"	FOOT	18200	18200															
* 78000400	THERMOPLASTIC PAVEMENT MARKING - LINE 6"	FOOT	2030	2030															

*specialty items

FILE NAME =	USER NAME = quillamerp	DESIGNED -	REVISED -	STATE OF ILLINOIS DEPARTMENT OF TRANSPORTATION	SUMMARY OF QUANTITIES				F.A.U RTE.	SECTION	COUNTY	TOTAL SHEETS	SHEET NO.
c:\pawork\quillamerp\0246850\010211-stf-pltdgn	DRAWN -	REVISED -	2612						2010-108-RS	COOK	18	3	
PLOT SCALE = 50,0000' / IN.	CHECKED -	REVISED -	CONTRACT NO. 60M35										
PLOT DATE = 5/17/2011	DATE -	REVISED -	SCALE:						SHEET NO. OF SHEETS	STA. TO STA.	FED. ROAD DIST. NO. 1	ILLINOIS FED. AID PROJECT	

LEGEND

1. EXISTING AGGREGATE SHOULDERS
2. EXISTING P.C. CONCRETE PAVEMENT ± 9.0"
3. EXISTING HMA SURFACE COURSE ± 4 1/4 "
4. PROPOSED HMA SURFACE REMOVAL (2/4")
5. EXISTING HMA SURFACE OVERLAY AFTER MILLING, ± 2"
6. PROPOSED POLYMERIZED LEVELING BINDER (MACHINE METHOD), IL-4.75, N50 (3/4")
7. PROPOSED HMA SURFACE COURSE, MIX "D", N70 (1 1/2")
8. PROPOSED SAFETY EDGE (SEE DETAIL)
9. PROPOSED AGGREGATE WEDGE SHOULDER, TYPE B
10. PROPOSED GRADING & SHAPING SHOULDERS



HOT-MIX ASPHALT MIXTURE REQUIREMENTS	
MIXTURE TYPE	DESIGN AIR VOIDS
HMA SURFACE COURSE, MIX D, N70, (IL-9.5 mm)	4% @ 70 GYR
POLYMERIZED LEVELING BINDER (MACHINE METHOD), IL-4.75, N50	4% @ 50 GYR
CLASS D PATCHES (HMA BINDER IL 19 mm)	4% @ 70 GYR

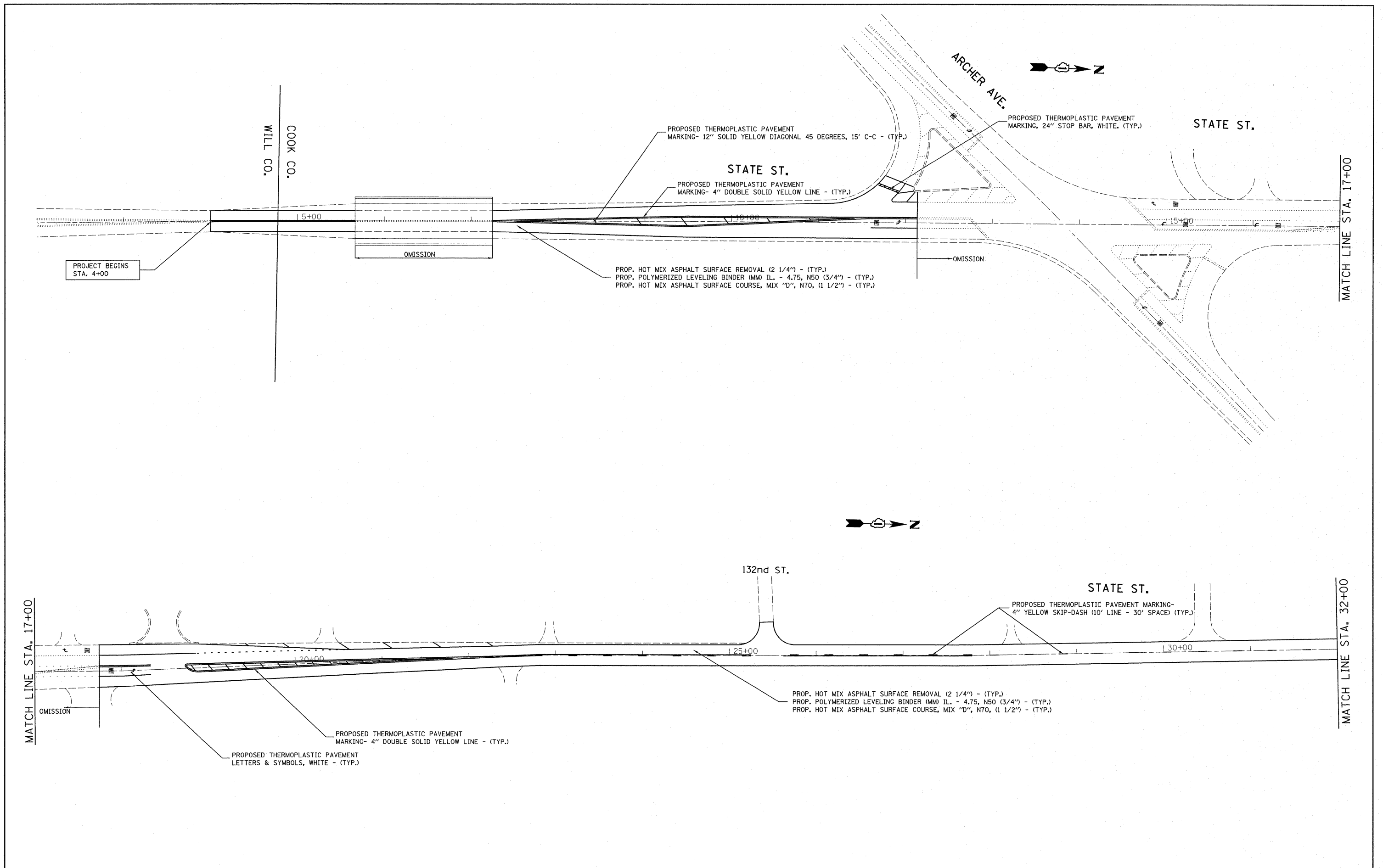
NOTES

THE UNIT WEIGHT USED TO CALCULATE ALL HMA SURFACE COURSE MIXTURES IS 112 LBS/SOYD/IN. "THE "AC TYPE" FOR POLYMERIZED HMA MIXES SHALL BE "SBS/SBR PG 70-22" AND FOR NON-POLYMERIZED HMA THE "AC TYPE" SHALL BE "PG 64-22" UNLESS MODIFIED BY DISTRICT ONE SPECIAL PROVISIONS." "FOR "PERCENT OF RAP" SEE DISTRICT ONE SPECIAL PROVISIONS."

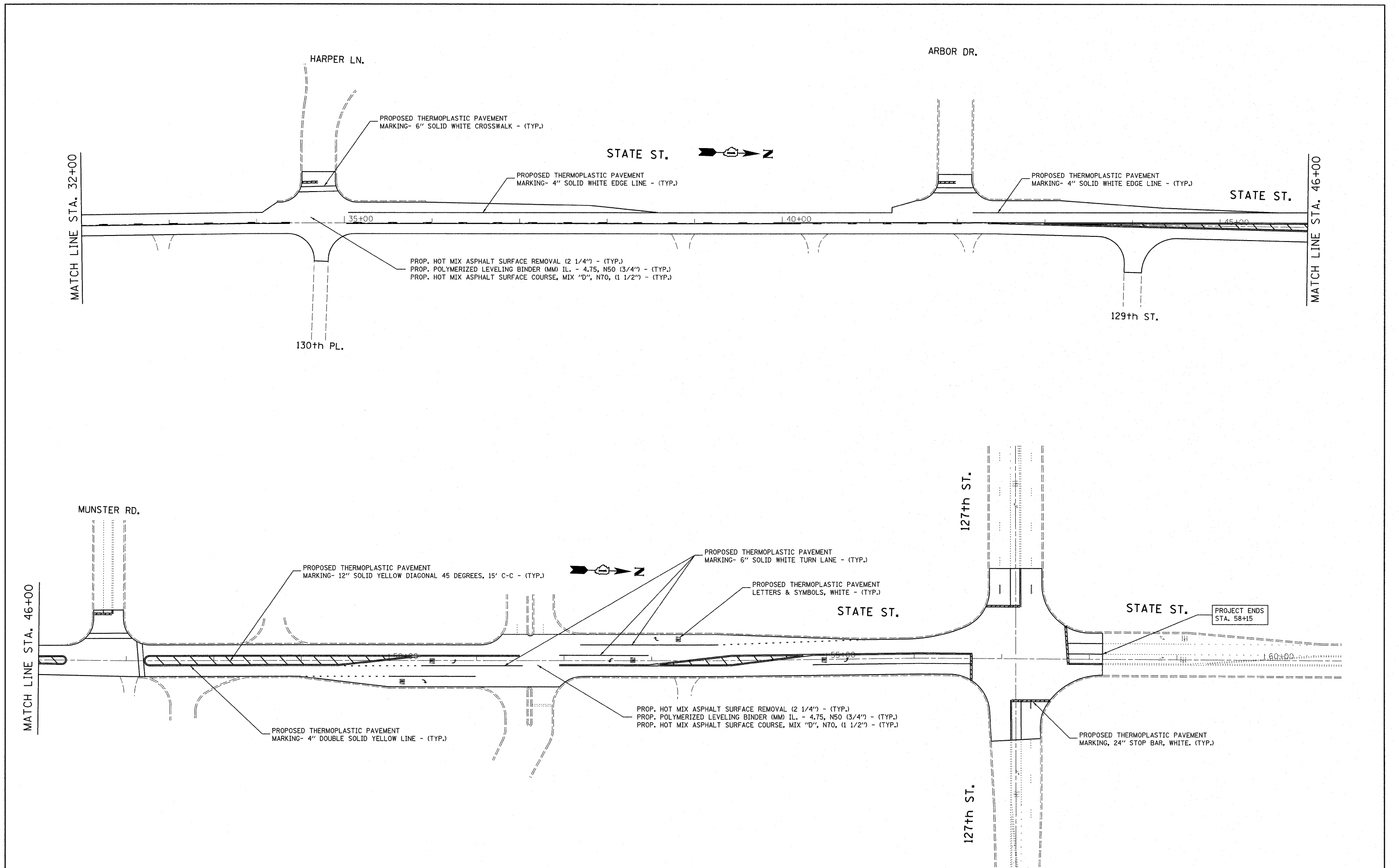
NOTES

THE CONTRACTOR SHALL MILL FIRST BEFORE PATCHING

FILE NAME =	USER NAME = guilloumefp	DESIGNED -	REVISED -	STATE OF ILLINOIS DEPARTMENT OF TRANSPORTATION	STATE ST. (127TH ST. TO WILL COUNTY LINE) TYPICAL SECTIONS				F.A.U. RTE.	SECTION	COUNTY	TOTAL SHEETS	SHEET NO.		
cr:\pwork\pwork\guilloumefp\d8246850\110211-sh-t-plan.dgn		DRAWN -	REVISED -		SCALE:	SHEET NO.	OF	SHEETS	STA.	TO STA.	2612	2010-108-RS	COOK	18	4
	PLOT SCALE = 50.0001' / IN.	CHECKED -	REVISED -												
	PLOT DATE = 5/17/2011	DATE -	REVISED -												
											CONTRACT NO. 60M35				
											FED. ROAD DIST. NO. 1 ILLINOIS FED. AID PROJECT				



FILE NAME = c:\pw_work\p\p\dot\guil\laume\fp\d0246850\110211-sht-plan.dgn	USER NAME = guillaume\fp	DESIGNED -	REVISED -	STATE OF ILLINOIS DEPARTMENT OF TRANSPORTATION	ROADWAY AND PAVEMENT MARKING PLAN STATE ST. (127TH ST. TO WILL COUNTY LINE)	F.A.U. RTE. 2612	SECTION 2010-108-RS	COUNTY COOK	TOTAL SHEETS 18	SHEET NO. 5
	PLOT SCALE = 50.0000' / IN.	CHECKED -	REVISED -			CONTRACT NO. 60M35				
	PLOT DATE = 5/16/2011	DATE -	REVISED -			ILLINOIS FED. AID PROJECT				
	SCALE: SHEET NO. OF SHEETS STA. TO STA.									



FILE NAME =	USER NAME = guillaumejp	DESIGNED -	REVISED -
ct:\pwork\pwork\guillaumejp\024685\110211-sht-pln.dgn	110211-sht-pln.dgn	DRAWN -	REVISED -
PLOT SCALE = 50.0000 / IN.	CHECKED -	REVISED -	REVISED -
PLOT DATE = 5/16/2011	DATE -	REVISED -	REVISED -

**STATE OF ILLINOIS
DEPARTMENT OF TRANSPORTATION**

**ROADWAY AND PAVEMENT MARKING PLAN
STATE ST. (127TH ST. TO WILL COUNTY LINE)**

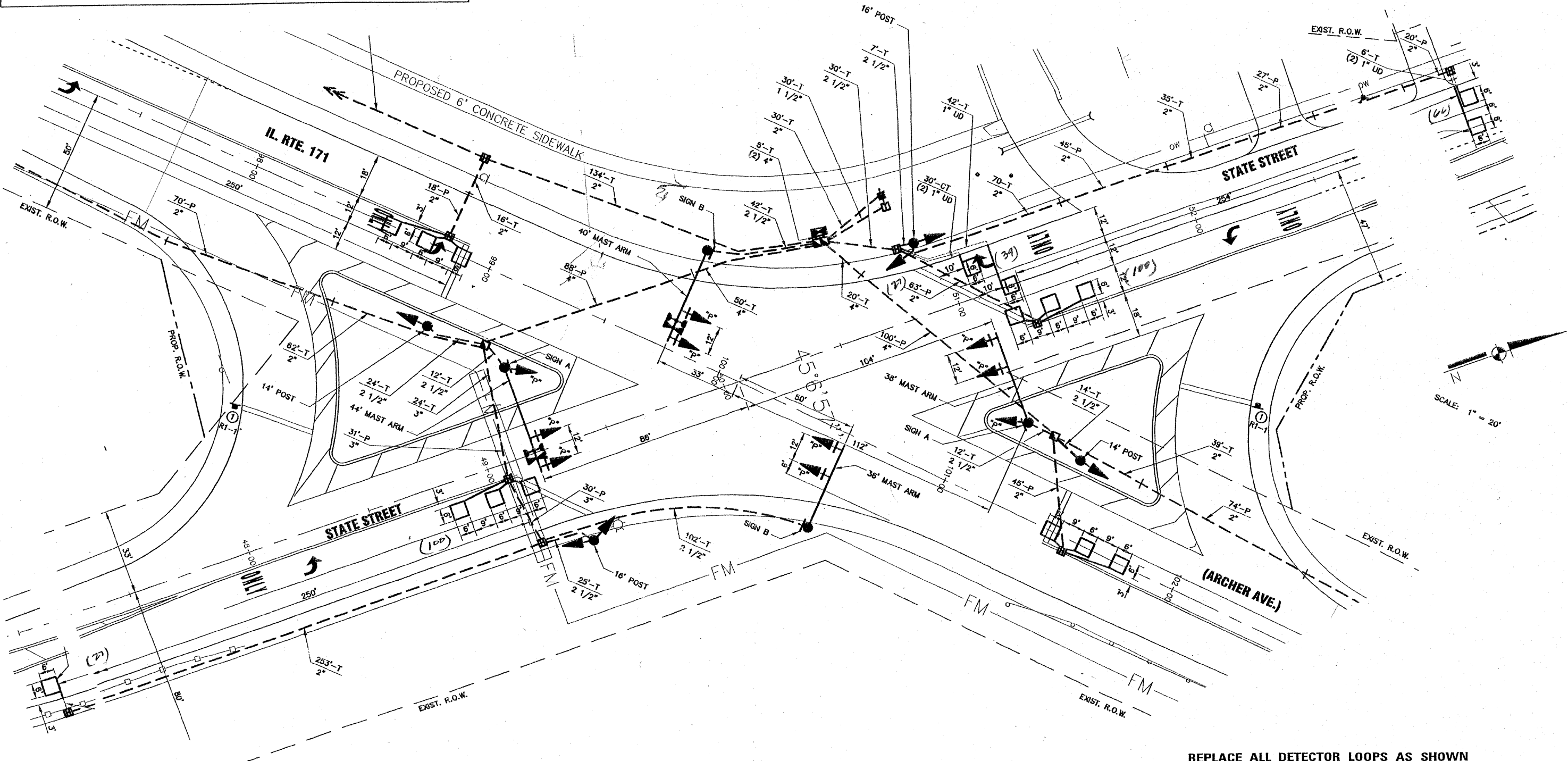
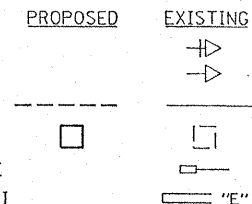
SCALE: SHEET NO. OF SHEETS STA. TO STA.

F.A.U. RTE.	SECTION	COUNTY	TOTAL SHEETS	SHEET NO.
2612	2010-108-RS	COOK	18	6
CONTRACT NO. 60M35				
ILLINOIS FED. AID PROJECT				

WORK SHALL MEET THE REQUIREMENTS OF THE SPECIAL PROVISION, "TRAFFIC SIGNAL SPECIFICATIONS FOR DETECTOR LOOP REPLACEMENT AND/OR INSTALLATION ON ROADWAY GRINDING, RESURFACING AND PATCHING OPERATIONS". SPECIAL ATTENTION MUST BE MADE TO THE SECTIONS "INSPECTION OF CONSTRUCTION" AND "DETECTOR LOOP REPLACEMENT" FOR INSTALLATION AND INSPECTION REQUIREMENTS. LOOP REPLACEMENT WORK THAT DOES NOT MEET THE CONTRACT REQUIREMENTS SHALL NOT BE PAID. WORK NECESSARY TO COMPLETE THE LOOP REPLACEMENT WORK MAY BE ASSIGNED BY THE ENGINEER TO IDOT'S ELECTRICAL MAINTENANCE CONTRACTOR (EMC); ALL RELATED COSTS WILL BE THE RESPONSIBILITY OF THE CONTRACTOR.

TRAFFIC SIGNAL LEGEND

SIGNAL HEAD WITH BACKPLATE
 SIGNAL HEAD
 GALVANIZED STEEL CONDUIT IN TRENCH OR PUSHED
 DETECTOR LOOP
 VEHICLE DETECTOR, NON COMPENSATED MAGNETIC TYPE
 RACEWAY FOR MAGNETIC DETECTOR, TYPE I OR TYPE II



**THIS PLAN IS FOR THE SOLE PURPOSE OF
 DETECTOR LOOP REPLACEMENTS ONLY**

**REPLACE ALL DETECTOR LOOPS AS SHOWN
 (WITHIN THE RESURFACING LIMITS)**

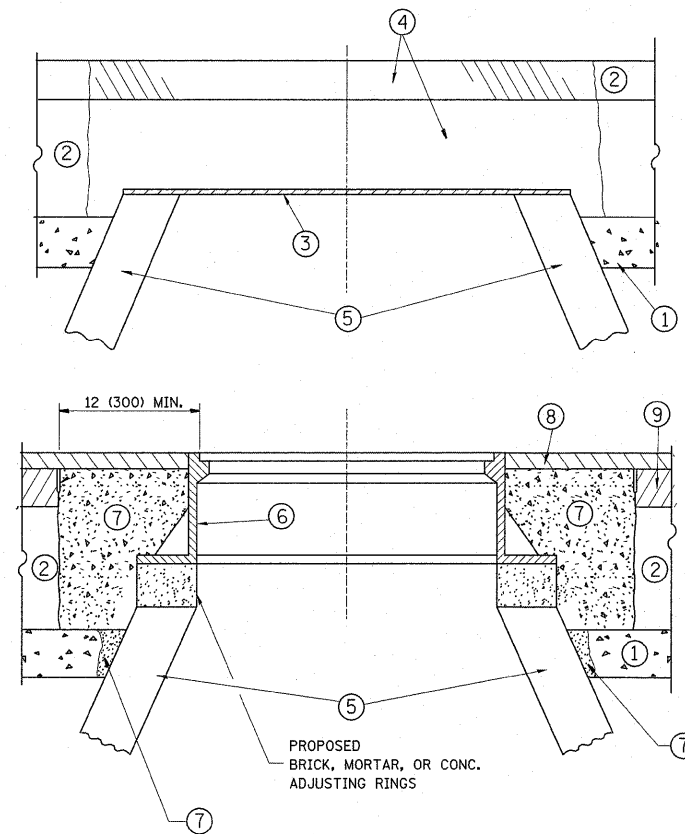
CODE	QUANTITY	UNIT	ITEM
88600600	27	FOOT	DETECTOR LOOP, REPLACEMENT

FILE NAME =	USER NAME = nguyensm	DESIGNED -	REVISED -
ct:\pv\work\pvidot\nguyensm\00112618\110810\er.dgn		DRAWN -	REVISED -
	PLOT SCALE = 100.0000 ' / IN.	CHECKED -	REVISED -
	PLOT DATE = 11/19/2010	DATE -	REVISED -

**STATE OF ILLINOIS
 DEPARTMENT OF TRANSPORTATION**

**DISTRICT ONE - DETECTOR LOOP REPLACEMENT
 STATE STREET @ ILL. ROUTE 171**

F.A.U. RTE.	SECTION	COUNTY	TOTAL SHEETS	SHEET NO.
2612	2010-108-RS	COOK	18	7
SCALE:		SHEET NO. OF SHEETS		STA. TO STA.
				FED. ROAD DIST. NO. ILLINOIS FED. AID PROJECT



CONSTRUCTION PROCEDURES

- STAGE 1 (BEFORE PAVEMENT MILLING)**
- A) REMOVE A MINIMUM OF 12 (300) OF THE PAVEMENT FROM AROUND THE STRUCTURE.
 - B) REMOVE THE EXISTING FRAME AND LID FROM THE STRUCTURE.
 - C) COVER THE STRUCTURE OPENING WITH A 36 (900) DIAMETER METAL PLATE.
 - D) BACKFILL WITH CRUSHED STONE AND A MINIMUM 1 1/2 (40) THICK HMA SURFACE MIX APPROVED BY THE ENGINEER.

- STAGE 2 (AFTER PAVEMENT MILLING)**
- A) REMOVE THE HMA SURFACE MIX AND CRUSHED STONE.
 - B) INSTALL THE FRAME AND LID; ADJUST THE FRAME TO ITS FINAL SURFACE ELEVATION.
 - C) THE SURROUNDING SPACE SHALL BE FILLED WITH CLASS PP-1* CONCRETE TO THE ELEVATION OF THE SURFACE OF THE EXISTING BASE COURSE OR THE BINDER COURSE.
- *UNLESS OTHERWISE SPECIFIED IN THE PLANS.

THE PROCEDURE EXPLAINED ABOVE SHALL CONFORM TO THE APPLICABLE PORTIONS OF SECTIONS 353, 406, 602, AND 603 OF THE STANDARD SPECIFICATIONS.

LEGEND

- ① SUB-BASE GRANULAR MATERIAL
- ② EXISTING PAVEMENT
- ③ 36 (900) DIAMETER METAL PLATE
- ④ PROPOSED CRUSHED STONE AND HMA SURFACE MIX
- ⑤ EXISTING STRUCTURE
- ⑥ FRAME AND LID (SEE NOTES)
- ⑦ CLASS PP-1* CONCRETE
- ⑧ PROPOSED HMA SURFACE COURSE
- ⑨ PROPOSED HMA BINDER COURSE

LOCATION OF STRUCTURES:

THE CONTRACTOR WILL BE REQUIRED TO KEEP A RECORD OF THE LOCATIONS OF THE BURIED STRUCTURES ACCORDING TO THE STATION AND DISTANCE LEFT OR RIGHT OF THE CENTERLINE OF PAVEMENT. UPON COMPLETION OF THE WORK, THE CONTRACTOR WILL DELIVER THE RECORD TO THE ENGINEER.

BASIS OF PAYMENT: THIS WORK WILL BE PAID FOR AT THE CONTRACT UNIT PRICE PER EACH FOR "FRAMES AND LIDS TO BE ADJUSTED, SPECIAL" NEW FRAMES AND LIDS, WHEN SPECIFIED, WILL BE PAID FOR SEPARATELY.

NOTES:

EXISTING BROKEN FRAMES AND LIDS SHALL BE REMOVED AND DISPOSED OF BY THE CONTRACTOR AND SHALL BE REPLACED AS DIRECTED BY THE ENGINEER. REPLACEMENT FRAMES AND LIDS WILL BE PAID FOR IN ACCORDANCE WITH ARTICLE 109.04 OF THE STANDARD SPECIFICATIONS UNLESS A SEPARATE PAY ITEM HAS BEEN PROVIDED.

IF THE EXISTING LIDS ARE OPEN, THE FRAME WILL BE ADJUSTED TO THE ELEVATION OF THE MILLED PAVEMENT SURFACE PRIOR TO THE MILLING OPERATION. THE FRAME WILL NOT BE REMOVED AND COVERED BY THE METAL PLATE.

CITY OF CHICAGO CASTINGS ARE THE PROPERTY OF THE CITY AND THE CONTRACTOR SHALL NOTIFY THE CITY FOR REMOVAL AND DISPOSITION OF THE CASTINGS.

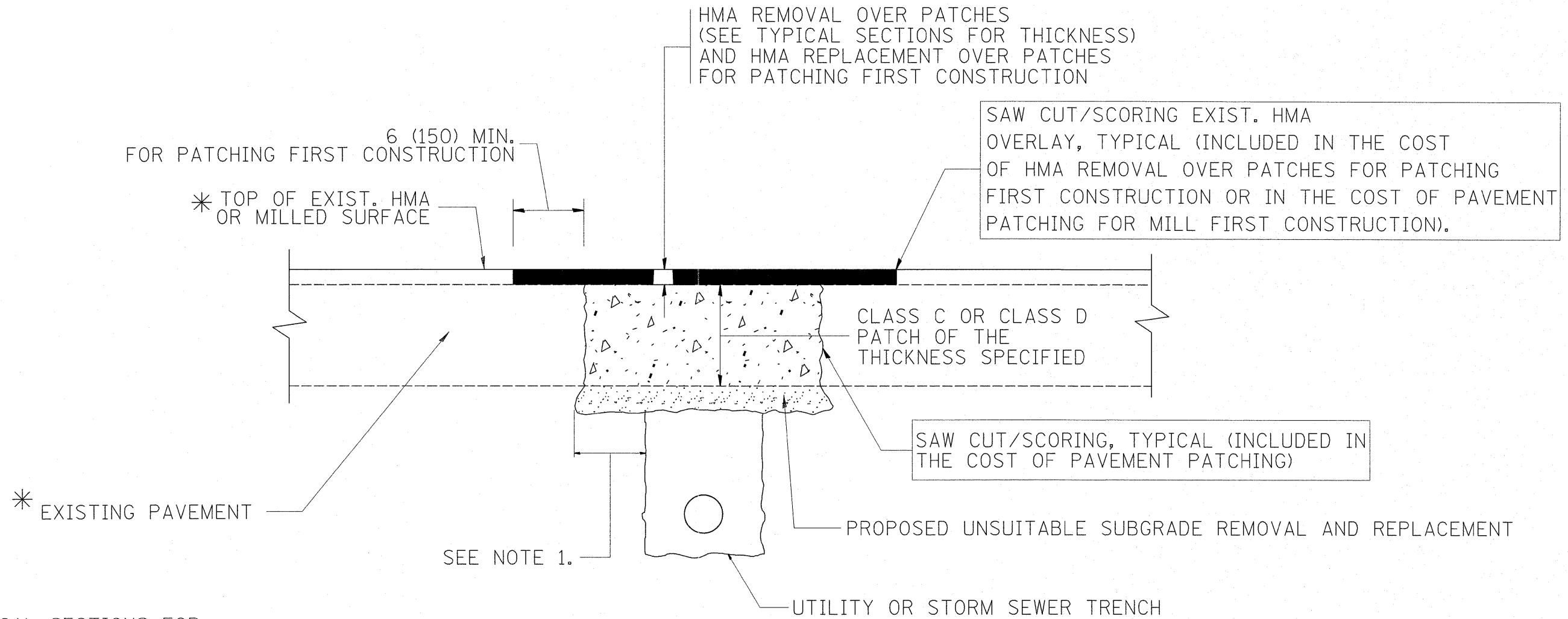
THE METAL PLATE USED TO COVER THE STRUCTURE SHALL REMAIN THE PROPERTY OF THE CONTRACTOR.

WHEN STRUCTURES ARE TO BE ADJUSTED OR RECONSTRUCTED, THE LOWERING AND RAISING OF THE FRAMES AND LIDS WILL NOT BE PAID FOR SEPARATELY BUT WILL BE INCLUDED IN THE COST OF THE CORRESPONDING PAY ITEM.

DETAILS FOR FRAMES AND LIDS ADJUSTMENT WITH MILLING

ALL DIMENSIONS ARE IN INCHES (MILLIMETERS) UNLESS OTHERWISE SHOWN

FILE NAME =	USER NAME = guilleumefp	DESIGNED - R. SHAH	REVISED - A. ABBAS 03-21-97	STATE OF ILLINOIS DEPARTMENT OF TRANSPORTATION	DETAILS FOR FRAMES AND LIDS ADJUSTMENT WITH MILLING			F.A.U. RTE. 2612	SECTION 2010-108-RS	COUNTY COOK	TOTAL SHEETS 18	SHEET NO. 9
cr\pwork\pwork\guilleumefp\d0246850\110211-sht-plan.dgn		DRAWN -	REVISED - R. WIEDEMAN 05-14-04		SCALE: NONE	SHEET NO. 1 OF 1 SHEETS	STA.	TO STA.	BD600-03 (BD-8)		CONTRACT NO. 60M35	
		CHECKED -	REVISED - R. BORO 01-01-07		FED. ROAD DIST. NO. 1 ILLINOIS FED. AID PROJECT							
		DATE - 10-25-94	REVISED - R. BORO 03-09-11									



* SEE TYPICAL SECTIONS FOR THICKNESS AND MATERIALS

NOTES:

1. THE WIDTH OF THE FULL DEPTH PATCH OVER A TRENCH SHALL BE 12 (300) WIDER ON EACH SIDE OF THE TRENCH.
2. FOR METHOD OF MEASUREMENT AND BASIS OF PAYMENT, SEE RECURRING SPECIAL PROVISION "PATCHING WITH HOT-MIX ASPHALT OVERLAY REMOVAL".

SEQUENCE OF CONSTRUCTION (PATCHING FIRST)

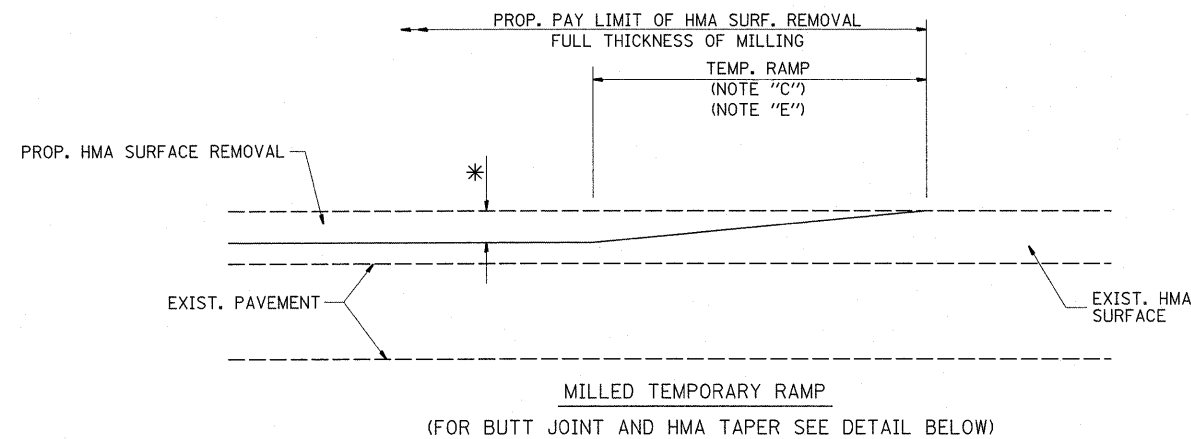
1. REMOVE THE EXISTING HMA MATERIAL OVER THE AREA TO BE PATCHED.
2. REMOVE AND REPLACE WITH CLASS C OR D PATCH.
3. REPLACE HMA MATERIAL OVER THE AREA TO BE PATCHED.

SEQUENCE OF CONSTRUCTION (MILLING FIRST)

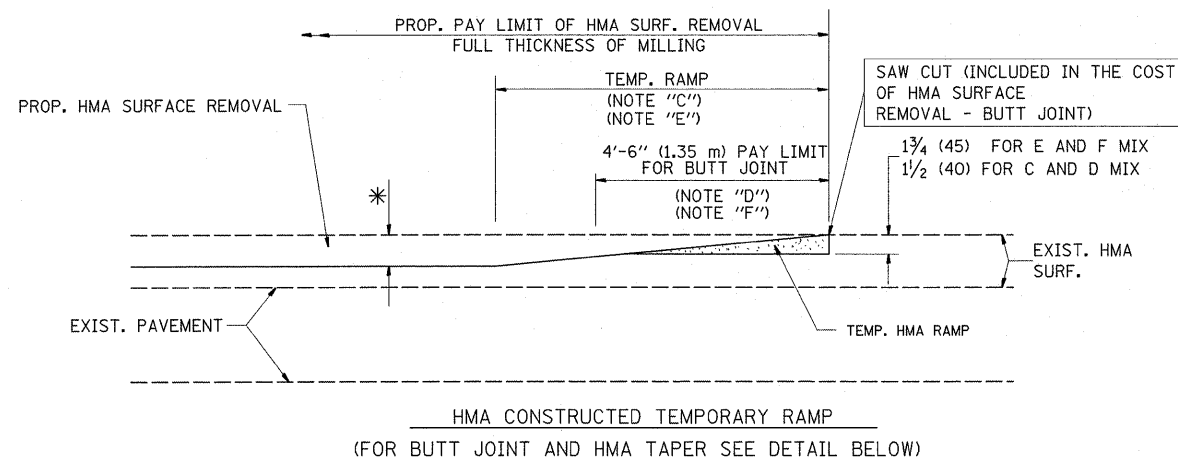
1. MILL HMA FIRST IF THERE IS AT LEAST 4 1/2 INCHES OR MORE OF HMA MATERIAL ON TOP OF THE EXISTING PAVEMENT OR IF THE PAVEMENT IS FULL DEPTH HMA. A MINIMUM OF 2 INCHES OF HMA MATERIAL SHALL BE IN PLACE AFTER MILLING.
2. REMOVE AND REPLACE WITH FULL DEPTH CLASS D PATCHES TO TOP OF MILLED SURFACE.

ALL DIMENSIONS ARE IN INCHES (MILLIMETERS) UNLESS OTHERWISE SHOWN.

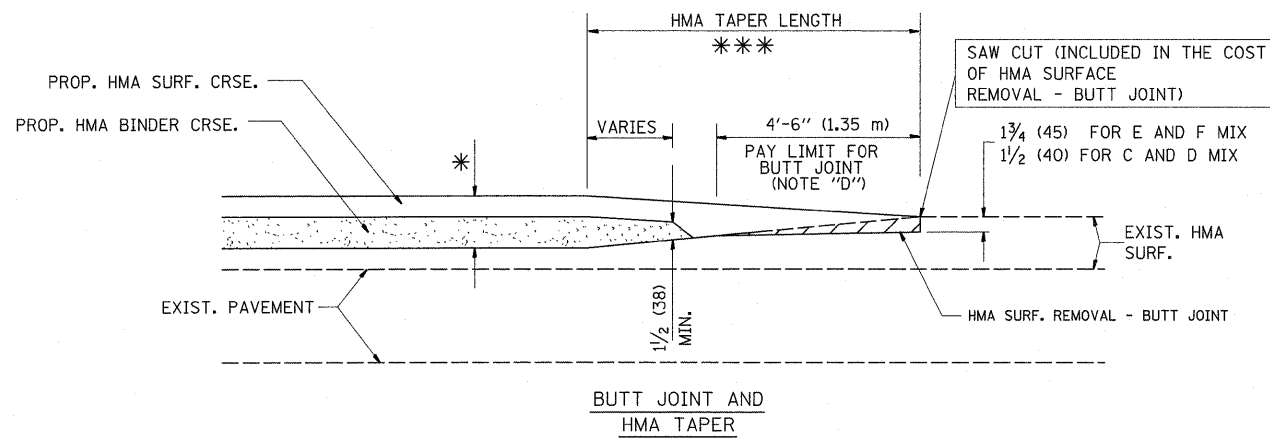
FILE NAME =	USER NAME = guillaumefp	DESIGNED - R. SHAH	REVISED - A. ABBAS 04-27-98	STATE OF ILLINOIS DEPARTMENT OF TRANSPORTATION	PAVEMENT PATCHING FOR HMA SURFACED PAVEMENT			F.A.U. RTE.	SECTION	COUNTY	TOTAL SHEETS	SHEET NO.
cr:\pw\work\p\dot\guillaumefp\0246850\110211-sh-t-plan.dgn	110211-sh-t-plan.dgn	DRAWN -	REVISED - R. BORO 01-01-07		SCALE: NONE	SHEET NO. 1 OF 1 SHEETS	STA. _____ TO STA. _____	2612	2010-108-R5	COOK	18	10
PLOT SCALE = 50.0000 "/ IN.		CHECKED -	REVISED - R. BORO 09-04-07					BD400-04 (BD-22) CONTRACT NO. 60M35				
PLOT DATE = 5/16/2011		DATE - 10-25-94	REVISED - K. ENG 10-27-08					FED. ROAD DIST. NO. 1 ILLINOIS FED. AID PROJECT				



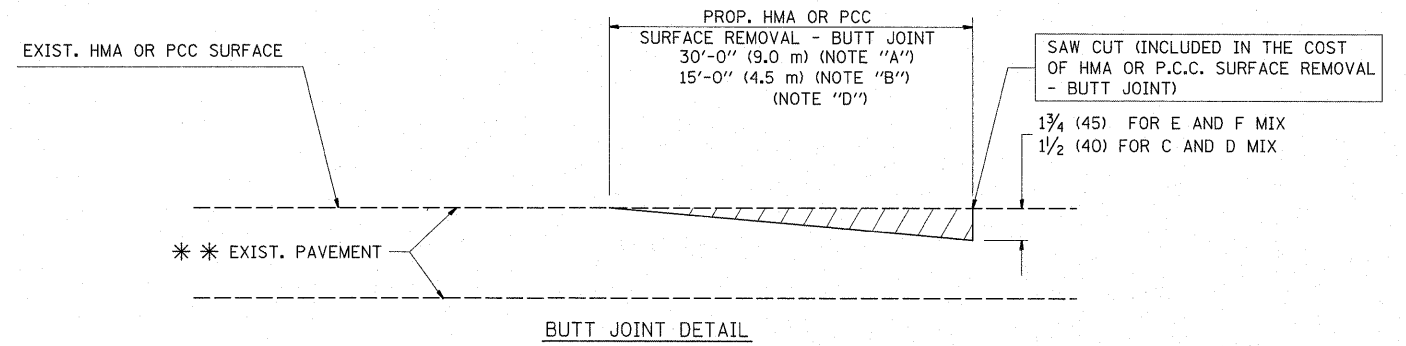
OPTION 1



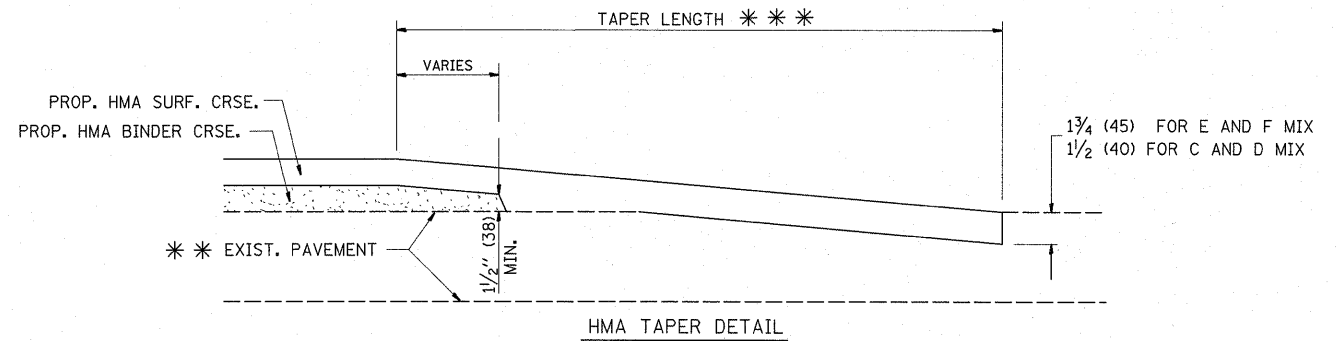
OPTION 2
TYPICAL TEMPORARY RAMP



TYPICAL BUTT JOINT AND HMA TAPER
FOR MILLING AND RESURFACING



BUTT JOINT DETAIL



HMA TAPER DETAIL

TYPICAL BUTT JOINT AND HMA TAPER
FOR RESURFACING ONLY

** PC CONCRETE, HMA OR HMA RESURFACED PAVEMENT.

NOTES

- A: MAINLINE ROADWAYS AND MAJOR SIDE ROADS.
 - B: MINOR SIDE ROADS.
 - C: THE TEMP. RAMP SHALL BE CONSTRUCTED IMMEDIATELY UPON REMOVAL OF THE EXISTING HMA SURFACE.
 - D: THE BUTT JOINT SHALL BE CONSTRUCTED IMMEDIATELY PRIOR TO PLACING THE PROPOSED HMA COURSES.
 - E: TAPER THE TEMP. RAMP AT A RATE OF 3'-0" (900 mm) PER 1 INCH (25 mm) OF MILLING THICKNESS.
 - F: INSTALLATION AND REMOVAL OF THE 4'-6" (1.35 m) TEMP. RAMP IS INCLUDED IN COST OF HMA SURFACE REMOVAL - BUTT JOINT
 - G: SEE ARTICLE 406.08 AND 406.14 OF THE STANDARD SPECIFICATIONS FOR "HMA AND/OR PCC SURFACE REMOVAL, BUTT JOINT".
- * SEE TYPICAL SECTIONS FOR MILLING THICKNESS.
- *** 20'-0" (6.1 m) PER 1 (25) RESURFACING (NOTE "A")
10'-0" (3.0 m) PER 1 (25) RESURFACING (NOTE "B")

BASIS OF PAYMENT:

THE BUTT JOINT WILL BE PAID FOR AT THE CONTRACT UNIT PRICE PER SQUARE YARD (SQUARE METER) FOR "HOT-MIX ASPHALT SURFACE REMOVAL - BUTT JOINT" OR FOR "PORTLAND CEMENT CONCRETE SURFACE REMOVAL - BUTT JOINT".

ALL DIMENSIONS ARE IN INCHES (MILLIMETERS) UNLESS OTHERWISE SHOWN.

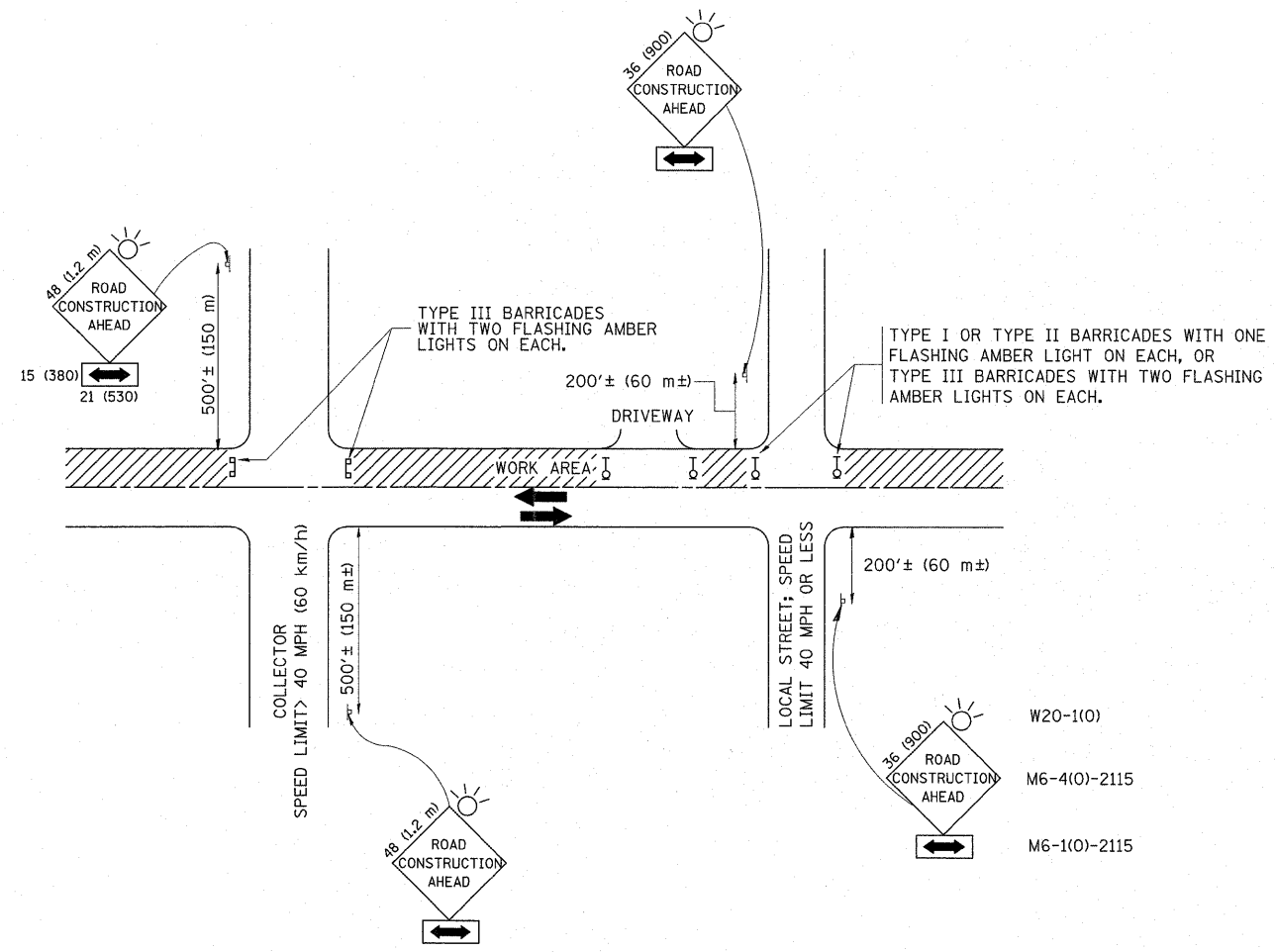
FILE NAME =	USER NAME = guillaumefp	DESIGNED - M. DE YONG	REVISED - R. SHAH 10-25-94
ca:\p\work\p\dot\guillaumefp\d0246850\110211-shr-pla\dgn		DRAWN -	REVISED - A. ABBAS 03-21-97
PLOT SCALE = 50.0000 "/ IN.		CHECKED -	REVISED - M. GOMEZ 04-06-01
PLOT DATE = 5/16/2011		DATE - 06-13-90	REVISED - R. BORO 01-01-07

STATE OF ILLINOIS
DEPARTMENT OF TRANSPORTATION

BUTT JOINT AND
HMA TAPER DETAILS

SCALE: NONE SHEET NO. 1 OF 1 SHEETS STA. TO STA.

F.A.U. RTE.	SECTION	COUNTY	TOTAL SHEETS	SHEET NO.
2612	2010-108-RS	COOK	18	11
BD400-05 BD32			CONTRACT NO. 60M35	
FED. ROAD DIST. NO. 1 ILLINOIS FED. AID PROJECT				



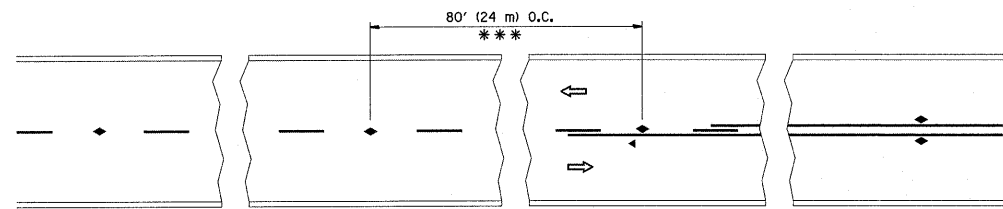
TRAFFIC CONTROL AND PROTECTION FOR SIDE ROADS, INTERSECTIONS, AND DRIVEWAYS

NOTES:

- A. FOR NO LANE RESTRICTION ON THE SIDE ROAD OR DRIVEWAYS
- SIDE ROAD WITH A SPEED LIMIT OF 40 MPH (60 km/h) OR LESS AS SHOWN ON THE DRAWING AND AS DIRECTED BY THE ENGINEER:
 - ONE ROAD CONSTRUCTION AHEAD SIGN 36 x 36 (900x900) WITH A FLASHER AND FLAG MOUNTED ON IT APPROXIMATELY 200' (60 m) IN ADVANCE OF THE MAIN ROUTE.
 - THE CLOSED PORTION OF THE MAIN ROUTE SHALL BE PROTECTED BY BLOCKING WITH TYPE I, TYPE II OR TYPE III BARRICADES, 1/3 OF THE CROSS SECTION OF THE CLOSED PORTION.
 - SIDE ROAD WITH A SPEED LIMIT GREATER THAN 40 MPH (60 km/h) AS SHOWN ON THE DRAWING AND AS DIRECTED BY THE ENGINEER:
 - ONE ROAD CONSTRUCTION AHEAD SIGN 48 x 48 (1.2 m x 1.2 m) WITH A FLASHER MOUNTED ON IT APPROXIMATELY 500' (150 m) IN ADVANCE OF THE MAIN ROUTE.
 - THE CLOSED PORTION OF THE MAIN ROUTE SHALL BE PROTECTED BY BLOCKING WITH TYPE III BARRICADES, 1/2 OF THE CROSS SECTION OF THE CLOSED PORTION.
3. WHEN THE SIDE ROAD LIES BETWEEN THE BEGINNING OF THE MAINLINE SIGNING AND THE WORK ZONE, A SINGLE HEADED ARROW (M6-1) SHALL BE USED IN LIEU OF THE DOUBLE HEADED ARROW (M6-4).
- B. FOR A LANE CLOSURE ON A SIDE ROAD OR DRIVEWAY:
- USE APPLICABLE PORTIONS OF THE TYPICAL APPLICATION OF TRAFFIC CONTROL DEVICES (STD. 701501, STD. 701606 OR THE APPROPRIATE STANDARD). THE SPACING OF SIGNS AND BARRICADES SHALL BE ADJUSTED FOR FIELD CONDITIONS AS DIRECTED BY THE ENGINEER. THE DIRECTIONAL ARROW SHALL BE COVERED OR REMOVED WHEN NO LONGER CONSISTENT WITH THE SIDE ROAD LANE CLOSURE.
- C. ADVANCE WARNING SIGNS ARE TO BE OMITTED ON DRIVEWAY UNLESS OTHERWISE NOTED.
- D. THE TRAFFIC CONTROL AND PROTECTION FOR SIDE ROADS, INTERSECTIONS, AND DRIVEWAYS SHALL BE INCIDENTAL TO THE COST OF SPECIFIED TRAFFIC CONTROL STANDARDS OR ITEMS.

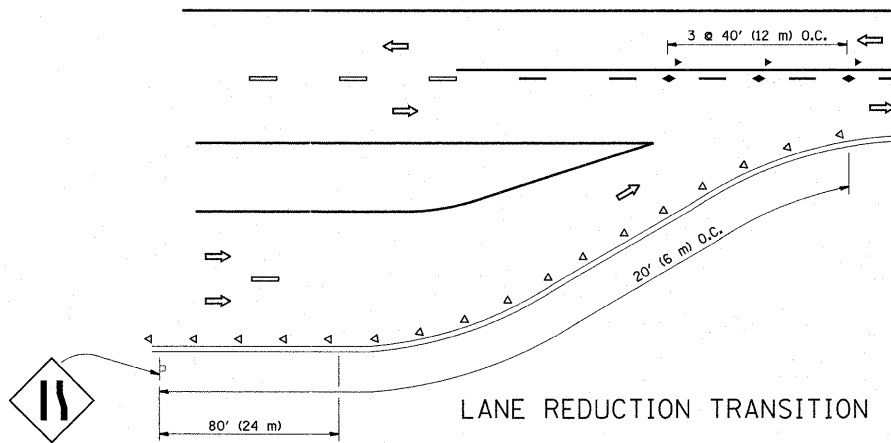
All dimensions are in millimeters (Inches) unless otherwise shown.

FILE NAME =	USER NAME = guillaumejp	DESIGNED - LHA	REVISED - J. OBERLE 10-18-95	STATE OF ILLINOIS DEPARTMENT OF TRANSPORTATION	TRAFFIC CONTROL AND PROTECTION FOR SIDE ROADS, INTERSECTIONS, AND DRIVEWAYS			F.A.U. R.T.E.	SECTION	COUNTY	TOTAL SHEETS	SHEET NO.	
ct:\pv_work\pwwork\guillaumejp\d0246850\110211-sht-plan.dgn		DRAWN -	REVISED - A. HOUSEH 03-06-96		SCALE: NONE	SHEET NO. 1 OF 1 SHEETS	STA.	TO STA.	2612	2010-108-RS	COOK	18	12
		CHECKED -	REVISED - A. HOUSEH 10-15-96		TC-10			CONTRACT NO. 60M35					
		PLOT SCALE = 50,0000' / IN.	DATE - 06-89		REVISED - T. RAMMACHER 01-06-00			FED. ROAD DIST. NO. 1 ILLINOIS FED. AID PROJECT					
		PLOT DATE = 5/16/2011											

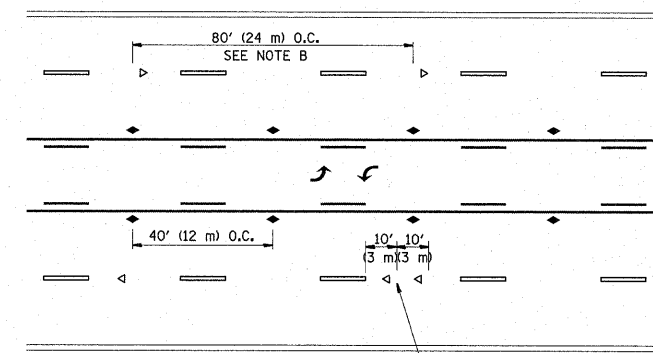


*** REDUCE TO 40' (12 m) O.C. ON CURVES WITH POSTED OR ADVISORY SPEED 45 M.P.H. (70 km/h) OR LESS.

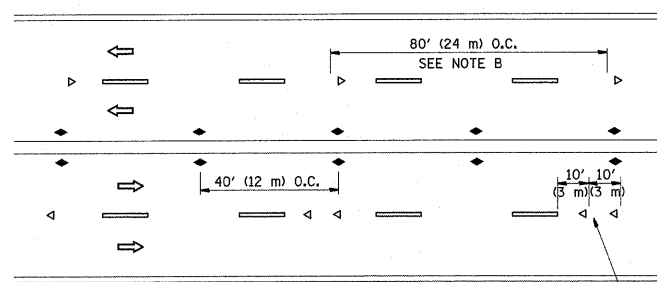
TWO-LANE/TWO-WAY



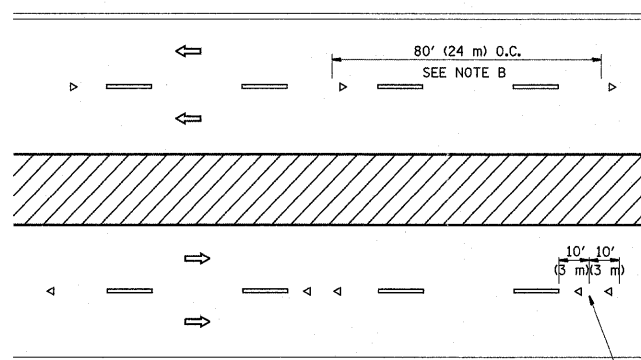
LANE REDUCTION TRANSITION



TWO-WAY LEFT TURN



MULTI-LANE/UNDIVIDED



MULTI-LANE/DIVIDED

GENERAL NOTES

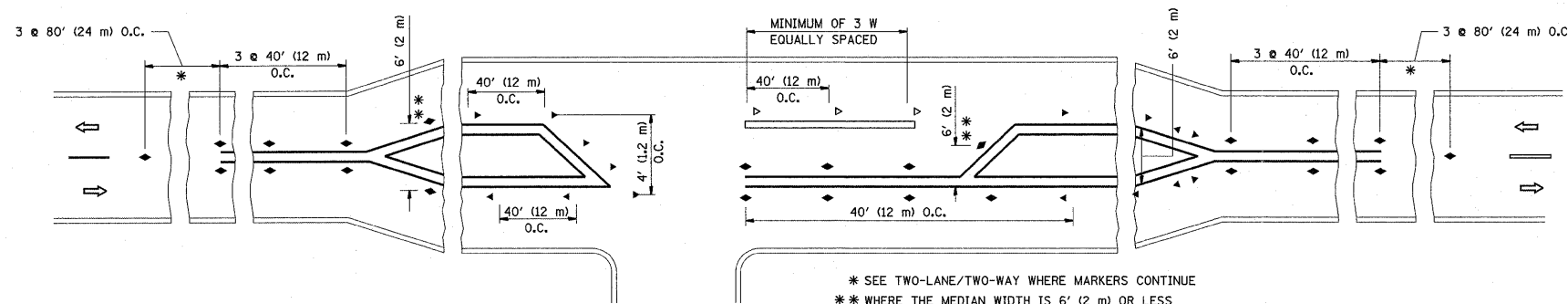
1. MARKERS USED WITH DASHED LINES SHALL BE CENTERED IN THE GAP BETWEEN SEGMENTS.
2. MARKERS USED ADJACENT TO SOLID LINES SHALL BE OFFSET 2 TO 3 (50 TO 75) TOWARD TRAFFIC AS SHOWN.
3. MARKERS THROUGH TANGENTS LESS THAN 500' (150 m) IN LENGTH BETWEEN CURVES SHALL BE INSTALLED AT THE LESSER OF THE TWO CURVE SPACINGS.

SYMBOLS

- YELLOW STRIPE
- WHITE STRIPE
- ◀ ONE-WAY AMBER MARKER
- ◀ ONE-WAY CRYSTAL MARKER (W/O)
- ◆ TWO-WAY AMBER MARKER

LANE MARKER NOTES

- B. REDUCE TO 40' (12 m) O.C. ON CURVES WHERE ADVISORY SPEEDS ARE 10 M.P.H. (20 km/h) LOWER THAN POSTED SPEEDS.
- A. USE DOUBLE LANE LINE MARKERS SPACED AS SHOWN.



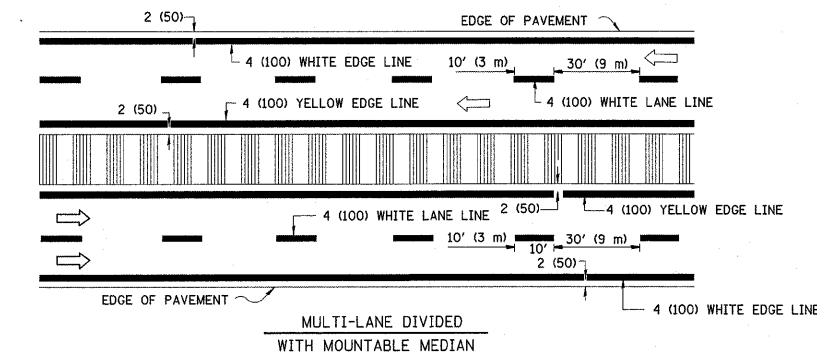
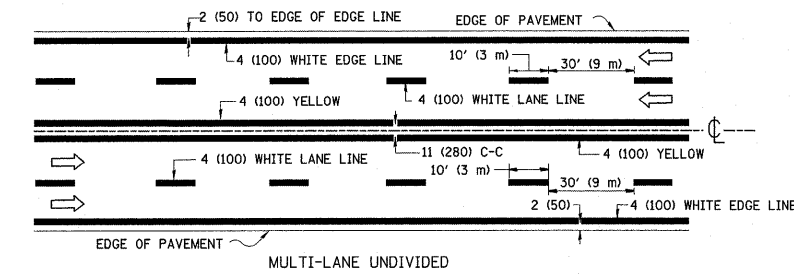
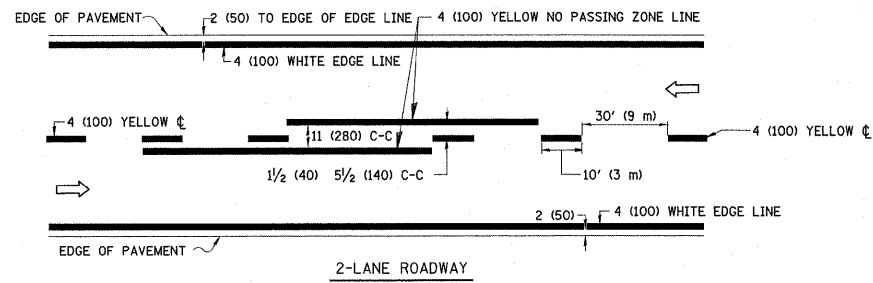
LEFT TURN

All dimensions are in Inches (millimeters) unless otherwise shown.

FILE NAME =	USER NAME = guillaumefp	DESIGNED -	REVISED - T. RAMMACHER 09-19-94
es:\pw\work\p\wdot\guillaumefp\d0246850\110211-sh-t-plan.dgn		DRAWN -	REVISED - T. RAMMACHER 03-12-99
		CHECKED -	REVISED - T. RAMMACHER 01-06-00
		DATE -	REVISED -

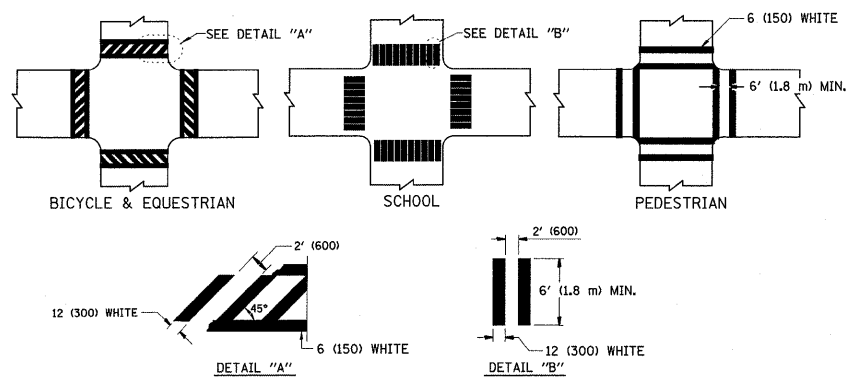
STATE OF ILLINOIS
DEPARTMENT OF TRANSPORTATION

TYPICAL APPLICATIONS		F.A.U. RTE.	SECTION	COUNTY	TOTAL SHEETS	SHEET NO.
RAISED REFLECTIVE PAVEMENT MARKERS (SNOW-PLOW RESISTANT)		2612	2010-108-RS	COOK	18	13
SCALE: NONE		SHEET NO. 1 OF 1 SHEETS		STA.	TO STA.	
		TC-11		CONTRACT NO. 60M35		
FED. ROAD DIST. NO. 1 ILLINOIS FED. AID PROJECT						

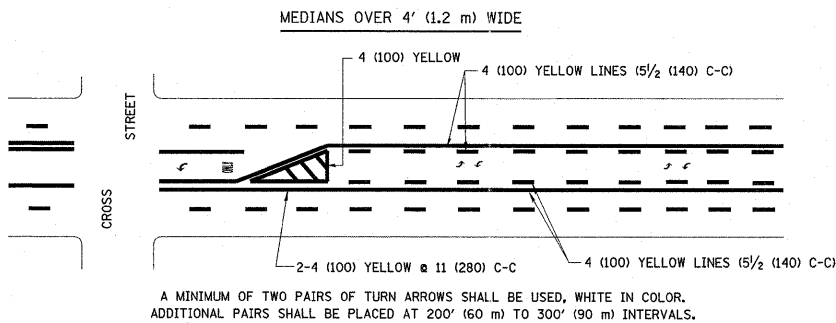
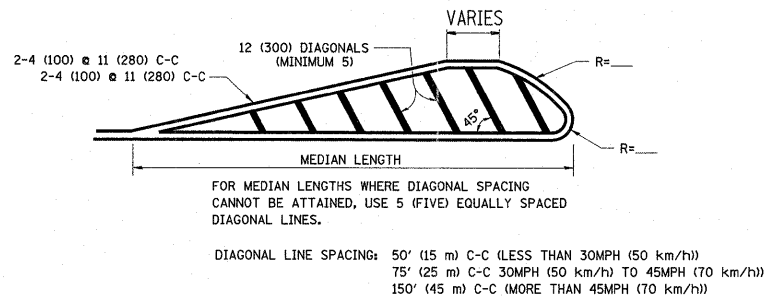
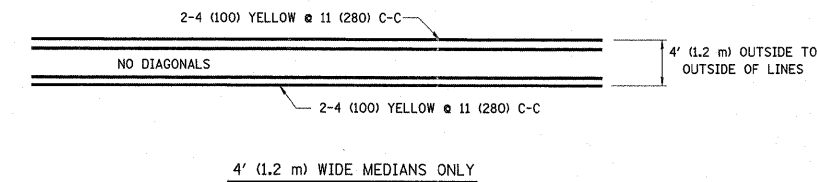


NOTE: MEDIANS WITH BARRIER CURB DO NOT REQUIRE AN EDGE LINE

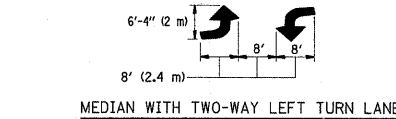
TYPICAL LANE AND EDGE LINE MARKING



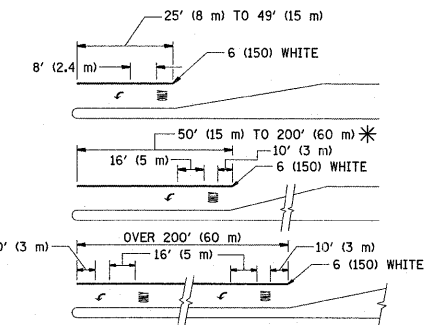
TYPICAL CROSSWALK MARKING



TYPICAL PAINTED MEDIAN MARKING

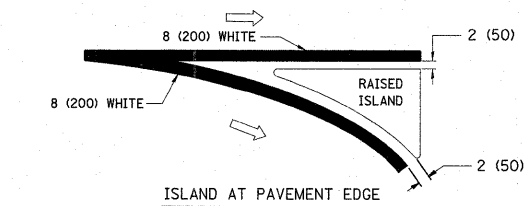
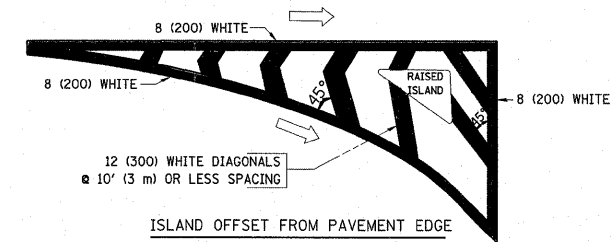


TYPICAL TURN LANE MARKING



FULL SIZE LETTERS 8' (2.4 m) AND ARROWS SHALL BE USED.
 * TURN LANES IN EXCESS OF 400' (120 m) IN LENGTH MAY HAVE AN ADDITIONAL SET OF ARROW - "ONLY" INSTALLED MIDWAY BETWEEN THE OTHER TWO SETS OF ARROW - "ONLY".

TYPICAL TURN LANE MARKING



TYPICAL ISLAND MARKING

TYPE OF MARKING	WIDTH OF LINE	PATTERN	COLOR	SPACING / REMARKS
CENTERLINE ON 2 LANE PAVEMENT	4 (100)	SKIP-DASH	YELLOW	10' (3 m) LINE WITH 30' (9 m) SPACE
CENTERLINE ON MULTI-LANE UNDIVIDED PAVEMENT	2 @ 4 (100)	SOLID	YELLOW	11 (280) C-C
NO PASSING ZONE LINES FOR ONE DIRECTION FOR BOTH DIRECTIONS	4 (100) 2 @ 4 (100)	SOLID SOLID	YELLOW YELLOW	5 1/2' (140) C-C FROM SKIP-DASH CENTERLINE 11 (280) C-C OMIT SKIP-DASH CENTERLINE BETWEEN
LANE LINES	4 (100) 5 (125) ON FREEWAYS	SKIP-DASH SKIP-DASH	WHITE WHITE	10' (3 m) LINE WITH 30' (9 m) SPACE
DOTTED LINES (EXTENSIONS OF CENTER, LANE OR TURN LANE MARKINGS)	SAME AS LINE BEING EXTENDED	SKIP-DASH	SAME AS LINE BEING EXTENDED	2' (600) LINE WITH 6' (1.8 m) SPACE
EDGE LINES	4 (100)	SOLID	YELLOW-LEFT WHITE-RIGHT	OUTLINE MOUNTABLE MEDIANS IN YELLOW; EDGE LINES ARE NOT USED NEXT TO BARRIER CURB
TURN LANE MARKINGS	6 (150) LINE; FULL SIZE LETTERS & SYMBOLS (8' (2.4m))	SOLID	WHITE	SEE TYPICAL TURN LANE MARKING DETAIL
TWO WAY LEFT TURN MARKING	2 @ 4 (100) EACH DIRECTION 8' (2.4m) LEFT ARROW	SKIP-DASH AND SOLID IN PAIRS	YELLOW WHITE	10' (3 m) LINE WITH 30' (9 m) SPACE FOR SKIP-DASH; 5 1/2' (140) C-C BETWEEN SOLID LINE AND SKIP-DASH LINE SEE TYPICAL TWO-WAY LEFT TURN MARKING DETAIL
CROSSWALK LINES (PEDESTRIAN) A. DIAGONALS (BIKE & EQUESTRIAN) B. LONGITUDINAL BARS (SCHOOL)	2 @ 6 (150) 12 (300) @ 45° 12 (300) @ 90°	SOLID SOLID SOLID	WHITE WHITE WHITE	NOT LESS THAN 6' (1.8 m) APART 2' (600) APART 2' (600) APART SEE TYPICAL CROSSWALK MARKING DETAILS.
STOP LINES	24 (600)	SOLID	WHITE	PLACE 4' (1.2 m) IN ADVANCE OF AND PARALLEL TO CROSSWALK, IF PRESENT. OTHERWISE, PLACE AT DESIRED STOPPING POINT, PARALLEL TO CROSSROAD CENTERLINE, WHERE POSSIBLE
PAINTED MEDIANS	2 @ 4 (100) WITH 12 (300) DIAGONALS @ 45° NO DIAGONALS USED FOR 4' (1.2 m) WIDE MEDIANS	SOLID	YELLOW; TWO WAY TRAFFIC WHITE; ONE WAY TRAFFIC	11 (280) C-C FOR THE DOUBLE LINE SEE TYPICAL PAINTED MEDIAN MARKING.
GORE MARKING AND CHANNELIZING LINES	8 (200) WITH 12 (300) DIAGONALS @ 45°	SOLID	WHITE	DIAGONALS: 15' (4.5 m) C-C (LESS THAN 30MPH (50 km/h)) 20' (6 m) C-C (30MPH (50 km/h) TO 45MPH (70 km/h)) 30' (9 m) C-C (OVER 45MPH (70 km/h))
RAILROAD CROSSING	24 (600) TRANSVERSE LINES; "RR" IS 6' (1.8 m) LETTERS; 16 (400) LINE FOR "X"	SOLID	WHITE	SEE STATE STANDARD 780001 AREA OF: "R"=3.6 SQ. FT. (0.33 m ²) EACH "X"=54.0 SQ. FT. (5.0 m ²)
SHOULDER DIAGONALS	12 (300) @ 45°	SOLID	WHITE - RIGHT YELLOW - LEFT	50' (15 m) C-C (LESS THAN 30MPH (50 km/h)) 75' (25 m) C-C (30 MPH (50 km/h) TO 45MPH (70 km/h)) 150' (45 m) C-C (OVER 45MPH (70 km/h))

FOR FURTHER DETAILS ON PAVEMENT MARKING REFER TO STANDARD SPECIFICATIONS FOR ROAD AND BRIDGE CONSTRUCTION AND STATE STANDARD 780001.

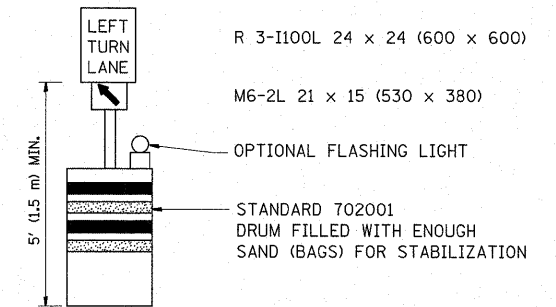
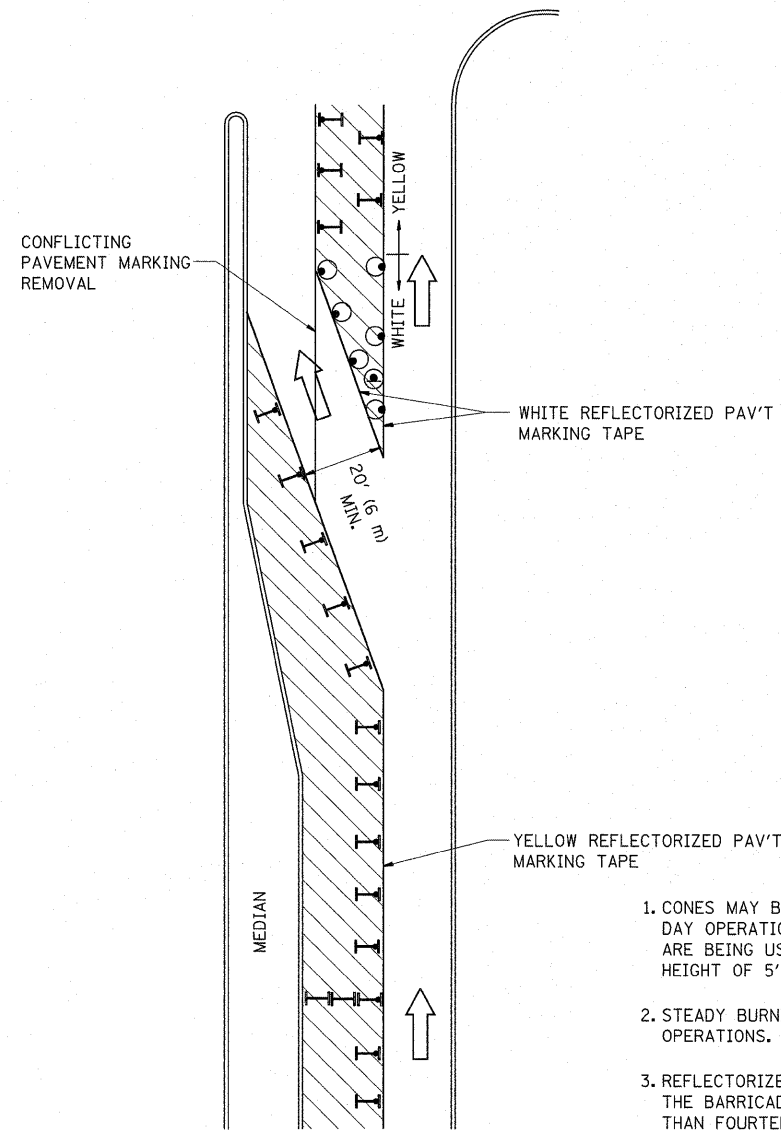
All dimensions are in inches (millimeters) unless otherwise shown.

FILE NAME =	USER NAME = guilleumefp	DESIGNED - EVERS	REVISED -T. RAMMACHER 10-27-94
c:\p\work\p\widot\guilleumefp\0246850\110211-sh-t-plan.dgn	110211-sh-t-plan.dgn	DRAWN -	REVISED -A. HOUSEH 10-09-96
PLOT SCALE = 50.0000 / IN.		CHECKED -	REVISED -A. HOUSEH 10-17-96
PLOT DATE = 5/16/2011		DATE - 03-19-90	REVISED -T. RAMMACHER 01-06-00

STATE OF ILLINOIS DEPARTMENT OF TRANSPORTATION

DISTRICT ONE TYPICAL PAVEMENT MARKINGS

SCALE: NONE	SHEET NO. 1 OF 1 SHEETS	STA. TO STA.	F.A.U. RTE. 2612	SECTION 2010-108-RS	COUNTY COOK	TOTAL SHEETS 18	SHEET NO. 14
			TC-13		CONTRACT NO. 60M35		
FED. ROAD DIST. NO. 1 ILLINOIS FED. AID PROJECT							



GENERAL NOTES

1. CONES MAY BE SUBSTITUTED FOR BARRICADES OR DRUMS AT HALF THE SPACING DURING DAY OPERATIONS. CONES SHALL BE A MINIMUM OF 28 (710) IN HEIGHT. WHEN CONES ARE BEING USED, THE "LEFT TURN LANE" SIGN MAY BE SKID MOUNTED AT A MINIMUM HEIGHT OF 5' (1.5 m).
2. STEADY BURNING LIGHTS WILL NOT BE REQUIRED ON BARRICADES OR DRUMS FOR DAY OPERATIONS. ALL LIGHTS SHALL BE MONODIRECTIONAL.
3. REFLECTORIZED TEMPORARY PAVEMENT MARKING TAPE SHALL BE PLACED THROUGHOUT THE BARRICADED AREA OF EACH TURN BAY WHERE THE CLOSURE TIME IS GREATER THAN FOURTEEN DAYS.
4. THIS APPLICATION ALSO APPLIES WHEN WORK IS BEING PERFORMED IN THE RIGHT LANE(S) AND THE RIGHT TURN BAY IS TO REMAIN OPEN. UNDER THIS CONDITION, "RIGHT TURN LANE" R3-100 24 x 24 (600 x 600) AND M6-2R 21 x 15 (530 x 380) SHALL BE USED.
5. THESE CONTROLS SHALL SUPPLEMENT MAINLINE TRAFFIC CONTROL FOR LANE CLOSURES.
6. LONGITUDINAL DIMENSIONS MAY BE ADJUSTED TO FIT FIELD CONDITIONS.
7. FORM BT 725 IS REQUIRED.
8. TRAFFIC CONTROL AND PROTECTION AT TURN BAYS (TO REMAIN OPEN TO TRAFFIC) SHALL BE INCLUDED IN THE COST SPECIFIED TRAFFIC CONTROL STANDARDS OR ITEMS.

LEGEND

- WORK AREA
- LANE OPEN TO TRAFFIC
- TYPE I OR II BARRICADE WITH STEADY BURN LIGHT
- DRUM WITH STEADY BURN LIGHT
- DRUM WITH SIGN (WITH OPTIONAL FLASHING LIGHT) SEE DETAIL
- TYPE I OR II CHECK BARRICADE WITH FLASHING LIGHT

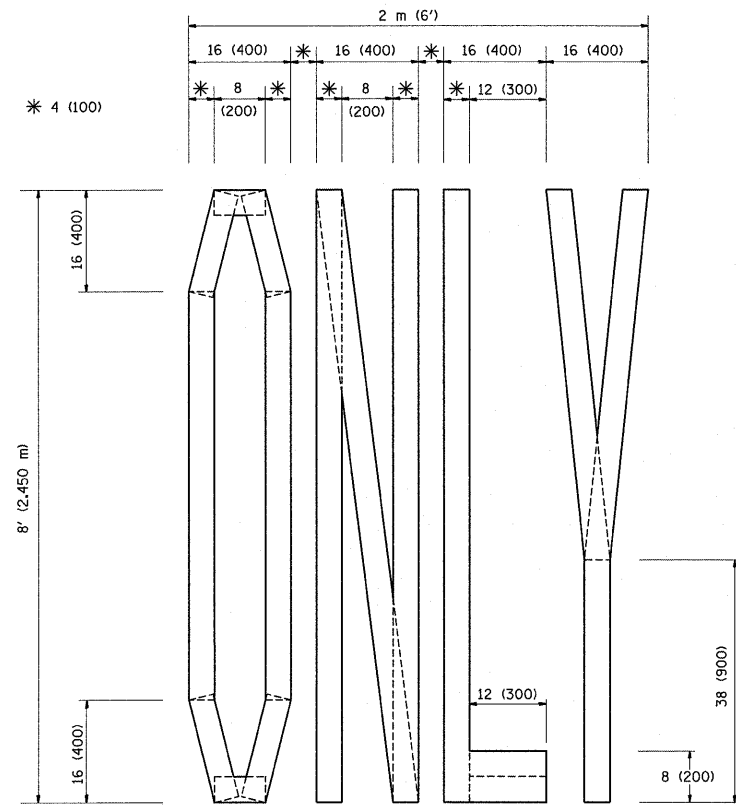
All dimensions are in inches (millimeters) unless otherwise shown.

FILE NAME =	USER NAME = guilleumefp	DESIGNED -	REVISED -T. RAMMACHER 09-08-94
c:\pw_work\pwidot\guilleumefp\0246850	110211-sht-plan.dgn	DRAWN -	REVISED - A. HOUSEH 11-07-95
	PLOT SCALE = 50.0000 / IN.	CHECKED -	REVISED - A. HOUSEH 10-12-96
	PLOT DATE = 5/16/2011	DATE -	REVISED -T. RAMMACHER 01-06-00

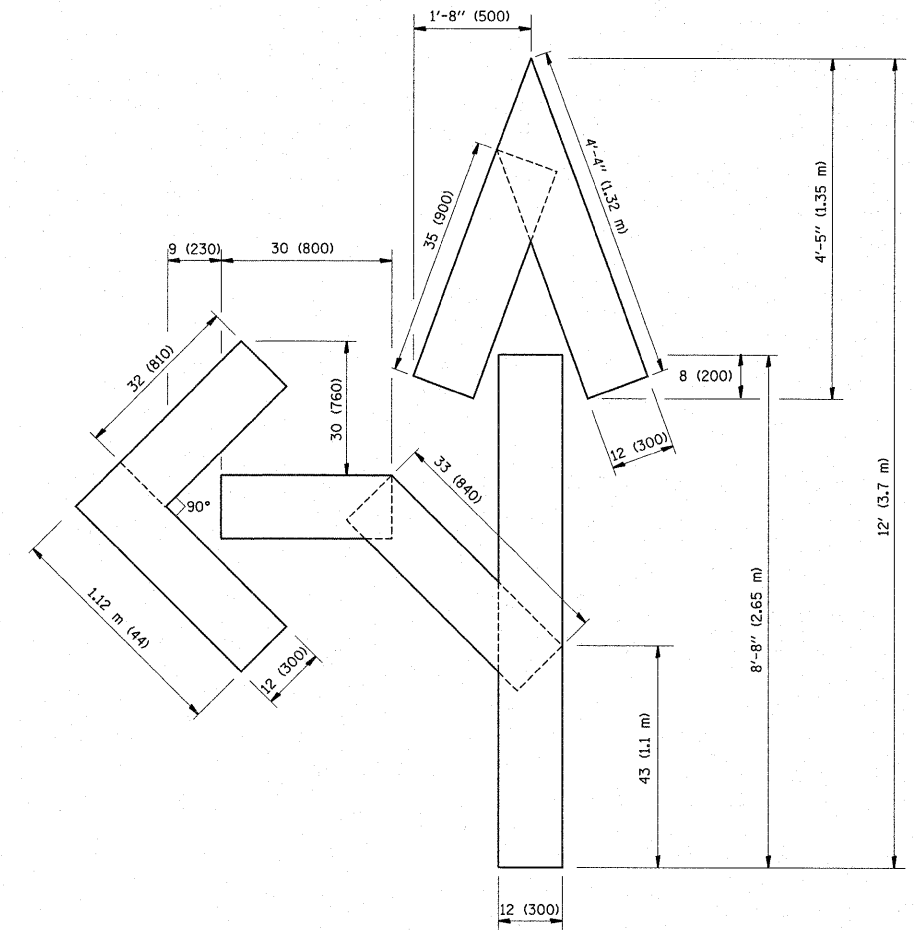
**STATE OF ILLINOIS
DEPARTMENT OF TRANSPORTATION**

**TRAFFIC CONTROL AND PROTECTION AT TURN BAYS
(TO REMAIN OPEN TO TRAFFIC)**

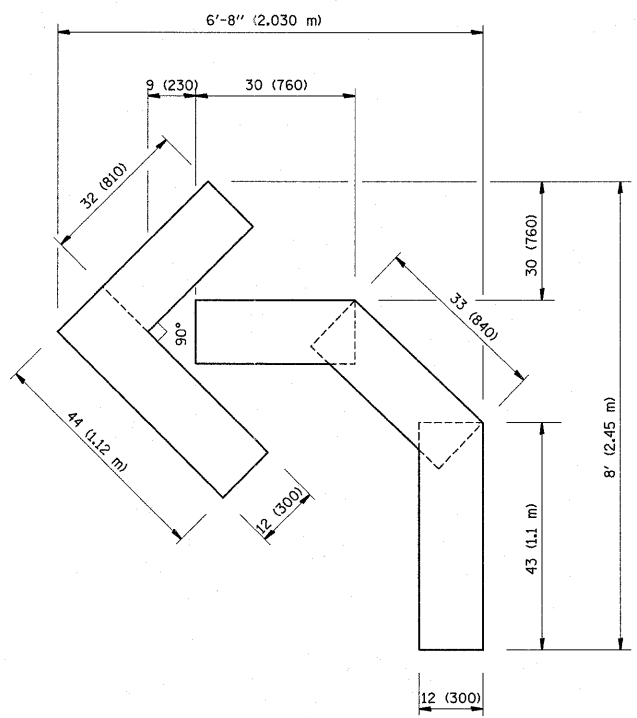
SCALE: NONE	SHEET NO. 1 OF 1 SHEETS	STA. TO STA.	F.A.U. RTE. 2612	SECTION 2010-108-RS	COUNTY COOK	TOTAL SHEETS 18	SHEET NO. 15
			TC-14		CONTRACT NO. 60M35		
FED. ROAD DIST. NO. 1 ILLINOIS FED. AID PROJECT							



QUANTITY
 4 (100) LINE = 64.1 ft. (19.7 m)
 21.1 sq. ft. (1.97 sq. m)



QUANTITY
 4 (100) LINE = 82.5 ft. (25.3 m)
 27.5 sq. ft. (2.53 sq. m)



QUANTITY
 4 (100) LINE = 45.5 ft. (13.9 m)
 15.2 sq. ft. (1.39 sq. m)

All dimensions are in inches (millimeters) unless otherwise shown.

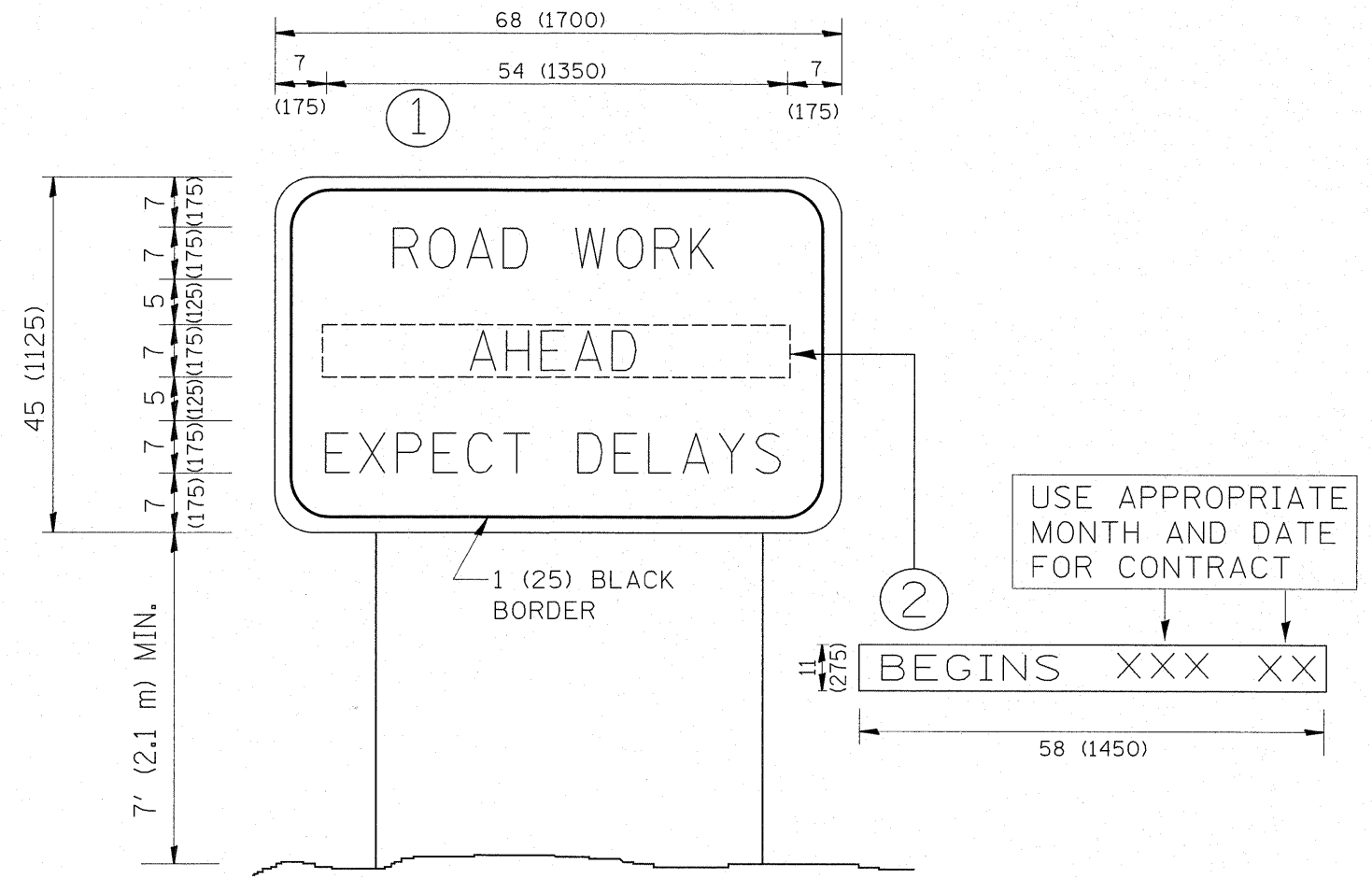
FILE NAME =	USER NAME = guillaumefp	DESIGNED -	REVISED -T. RAMMACHER 06-05-96
c:\pwork\pwidot\guillaumefp\d0246850	110211-sht-plan.dgn	DRAWN -	REVISED -T. RAMMACHER 11-04-97
PLOT SCALE = 50.0000 / IN.	CHECKED -	REVISED -T. RAMMACHER 03-02-98	
PLOT DATE = 5/16/2011	DATE - 09-18-94	REVISED -E. GOMEZ 08-28-00	

**STATE OF ILLINOIS
 DEPARTMENT OF TRANSPORTATION**

**PAVEMENT MARKING LETTERS AND SYMBOLS
 FOR TRAFFIC STAGING**

SCALE: NONE SHEET NO. 1 OF 1 SHEETS STA. TO STA.

F.A.U. RTE.	SECTION	COUNTY	TOTAL SHEETS	SHEET NO.
2612	2010-108-RS	COOK	18	16
TC-16		CONTRACT NO. 60M35		
FED. ROAD DIST. NO. 1 ILLINOIS FED. AID PROJECT				



NOTES:

1. USE BLACK LETTERING ON ORANGE BACKGROUND.
2. ERECT SIGNS IN ADVANCE OF THE LOCATION FOR THE "ROAD CONSTRUCTION AHEAD" SIGN AT LOCATIONS AS DIRECTED BY THE ENGINEER.
3. ERECT SIGN ① WITH INSTALLED PANEL ② ONE WEEK PRIOR TO THE START OF CONSTRUCTION.
4. REMOVE PANEL ② SOON AFTER THE START OF CONSTRUCTION.
5. SEE SPECIAL PROVISION FOR "TEMPORARY INFORMATION SIGNING" FOR ADDITIONAL INFORMATION.
6. ONE SIGN ASSEMBLY EQUALS 25.70 SQ. FT. (2.3 SQ. M.)
7. SHALL BE PAID FOR AS TEMPORARY INFORMATION SIGNING.

ALL DIMENSIONS ARE IN INCHES (MILLIMETERS) UNLESS OTHERWISE SHOWN.

FILE NAME =	USER NAME = guilloumefp	DESIGNED -	REVISED - R. MIRS 09-15-97
c:\pwork\pwork\guilloumefp\d0246850	110211-sht-plan.dgn	DRAWN -	REVISED - R. MIRS 12-11-97
	PLOT SCALE = 50.0000" / IN.	CHECKED -	REVISED - T. RAMMACHER 02-02-99
	PLOT DATE = 5/16/2011	DATE -	REVISED - C. JUCIUS 01-31-07

**STATE OF ILLINOIS
DEPARTMENT OF TRANSPORTATION**

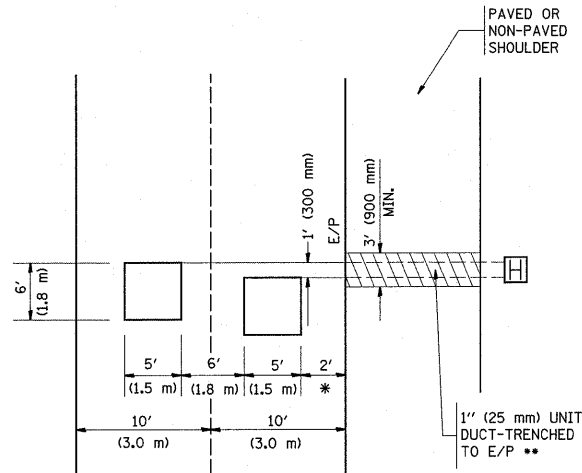
**ARTERIAL ROAD
INFORMATION SIGN**

SCALE: NONE SHEET NO. 1 OF 1 SHEETS STA. TO STA.

F.A.U. RTE.	SECTION	COUNTY	TOTAL SHEETS	SHEET NO.
2612	2010-108-RS	COOK	18	17
TC-22		CONTRACT NO. 60M35		
<small>FED. ROAD DIST. NO. 1 ILLINOIS FED. AID PROJECT</small>				

LOOPS NEXT TO SHOULDERS

PROVIDE A PAVEMENT REPLACEMENT NOTE WHICH SHOULD EQUAL 3' (900 mm) X WIDTH OF PAVED SHOULDER.

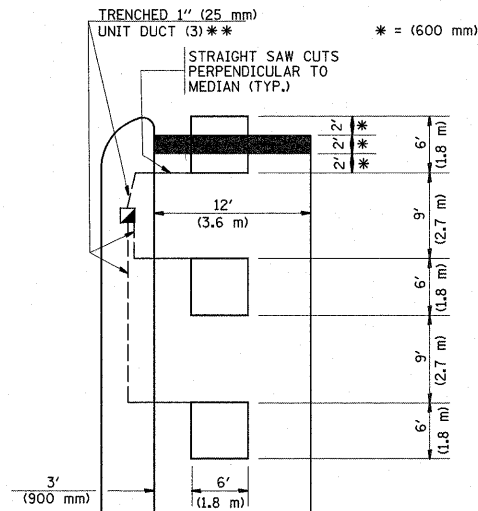


* = (600 mm)

** UNIT DUCT IS TO BE SHOWN ON PLAN SHEETS BUT SHALL NOT BE INCLUDED IN THE PAY ITEMS.

**LEFT TURN LANES WITH MEDIANS
VOLUME DENSITY ("FAR OUT" DETECTION)
ON SAME APPROACH
(PROTECTED / PERMITTED LEFT TURN PHASING)**

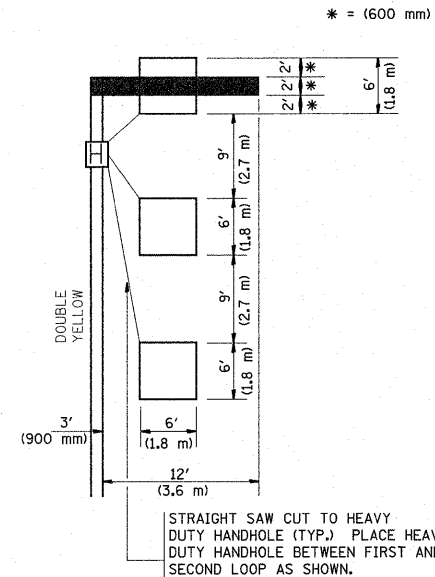
HANDHOLE LOCATION MAY VARY DEPENDING ON GEOMETRICS AND DESIGN OF TRAFFIC SIGNALS. HEAVY-DUTY HANDHOLES TO BE USED WHEN THE MEDIAN IS MOUNTABLE. REFER TO STANDARD 814001 TO ENSURE THAT HANDHOLE FITS IN MEDIAN.



** UNIT DUCT IS TO BE SHOWN ON PLAN SHEETS BUT SHALL NOT BE INCLUDED IN THE PAY ITEMS.

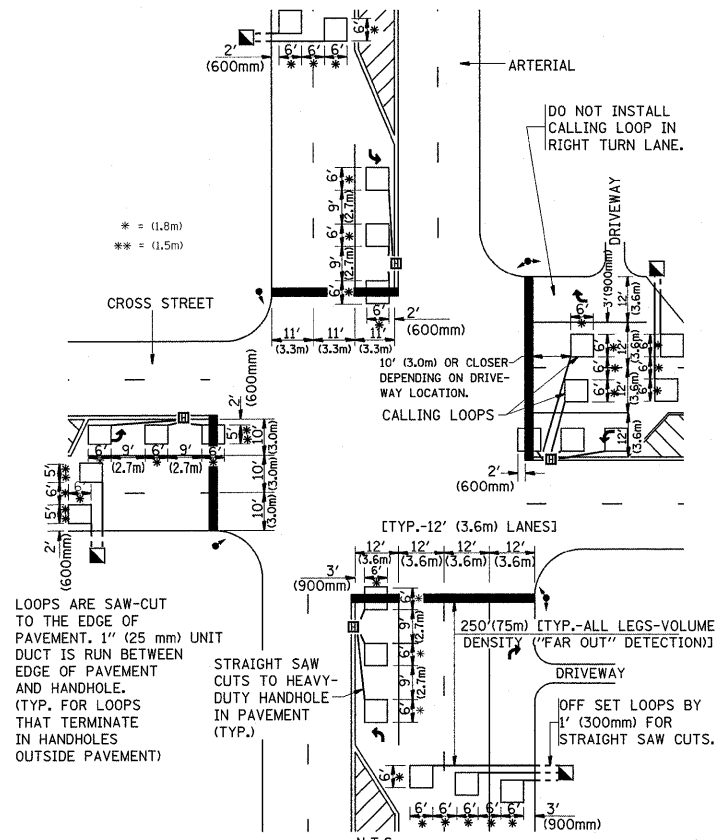
NOTE: DUAL LEFT TURNS NOT SHOWN REFER TO PLAN SHEET FOR DETECTOR LOOP REPLACEMENT

**LEFT TURN LANES WITHOUT MEDIANS
VOLUME DENSITY ("FAR OUT" DETECTION)
ON SAME APPROACH
(PROTECTED / PERMITTED LEFT TURN PHASING)**



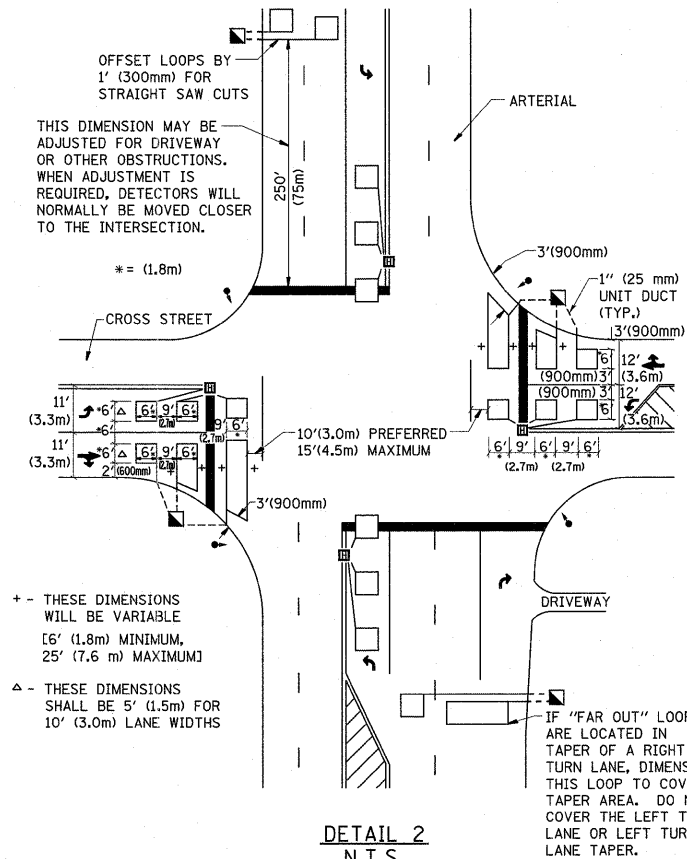
NOTE: DUAL LEFT TURNS NOT SHOWN REFER TO PLAN SHEET FOR DETECTOR LOOP REPLACEMENT

**ARTERIAL-VOLUME DENSITY ("FAR OUT" DETECTION)
CROSS STREET-VOLUME DENSITY ("FAR OUT" DETECTION)**



DETAIL 1
N.T.S.

**ARTERIAL-VOLUME DENSITY ("FAR OUT" DETECTION)
CROSS STREET-NON VOLUME DENSITY ("UPTIGHT" PRESENCE DETECTION)**



DETAIL 2
N.T.S.

NOTES:

VEHICLES LOOP DETECTORS

- * ALL LEAD IN CABLE SHALL BE TWO CONDUCTOR NO. 14 TWISTED, SHIELDED.
- * EACH DETECTOR LOOP SHALL HAVE ITS OWN SAW CUT FROM THE LOOP TO THE EDGE OF PAVEMENT OR TO A HANDHOLE IN THE PAVEMENT.
- * EACH DETECTOR LOOP SHALL HAVE ITS OWN ONE INCH (25 mm) UNIT DUCT BETWEEN THE EDGE OF PAVEMENT AND THE FIRST HANDHOLE OR JUNCTION BOX. EACH UNIT DUCT RUN SHALL BE SHOWN ON THE PLANS BY THE DESIGNER, BUT SHALL NOT BE PAID FOR SEPARATELY. THIS ITEM IS INCIDENTAL TO THE PAY ITEM FOR DETECTOR LOOPS.
- * ONE DIMENSION OF ALL DETECTOR LOOPS SHALL BE SIX FEET (1.8 m)
- * EACH LANE OF NON-LOCKING, PRESENCE DETECTION AND EACH LANE OF A DOUBLE LEFT TURN LANE REQUIRES A SEPARATE INDUCTIVE LOOP DETECTOR AND LEAD IN CABLE.
- * WHEN NON-LOCKING, PRESENCE DETECTION IS USED, MORE THAN ONE LOOP PER LANE IS REQUIRED BEHIND THE STOP BAR (i.e. 1-1/2, 1-3/4, 2).
- * WHEN SYSTEM LOOPS ARE REQUIRED ON AN APPROACH OF AN INTERSECTION, THE LOOPS USED FOR VOLUME DENSITY AND INTERSECTION TIMING SHALL ALSO BE USED AS SYSTEM DETECTORS. EACH ONE OF THESE TYPE OF LOOPS REQUIRES A SEPARATE TWO CONDUCTOR NO. 14 TWISTED SHIELDED CABLE AND A SEPARATE INDUCTIVE LOOP DETECTOR WHEN NEW CONTROLLERS ARE UTILIZED. THE DESIGNER SHALL LABEL THESE TYPES OF LOOPS AS "INTERSECTION AND SAMPLING (SYSTEM) DETECTORS" ON THE SIGNAL LAYOUT, THE INTERCONNECT PLAN AND THE SYSTEM CABLE PLAN. WHEN AN EXISTING CONTROLLER IS UTILIZED FOR THIS TYPE OF DETECTION, THE PAY ITEM "INDUCTIVE LOOP DETECTOR WITH SYSTEM OUTPUT" SHOULD BE USED.

PLACEMENT OF DETECTORS

THE FOLLOWING FIGURES REPRESENT THE MOST COMMON DETECTOR LOOP LOCATIONS AND SIZES. ADJUSTMENTS WILL BE NECESSARY FOR SPECIFIC GEOMETRIC CONSIDERATIONS.

LOCATIONS AND DEMENSIONS OF DETECTOR LOOPS ARE REQUIRED ON ALL SIGNAL LAYOUT PLAN SHEETS.

"FAR OUT" DETECTION REFERS TO LOCKING, PRESENCE TYPE DETECTION LOCATED IN THRU LANES, RIGHT TURN LANES, AND RIGHT TURN LANE TAPER AREAS (IF APPLICABLE), USUALLY 250' (75 m) IN ADVANCE OF STOP BARS. "UPTIGHT" DETECTION REFERS TO NON-LOCKING PRESENCE TYPE DETECTION LOCATED IN ALL LANES AND 10'-15' (3.0 m-4.5 m) BEHIND THE CROSSING STREET'S EDGE OF PAVEMENT EXTENDED.

NOTE:

ALL DETAILS AND NOTES SHOWN ARE FROM THE I.D.O.T. DISTRICT 1 TRAFFIC SIGNAL DESIGN GUIDELINES DATED JANUARY 1995

THIS DRAWING HAS BEEN PREPARED TO ASSIST THE RESIDENT ENGINEER FOR ALL ROADWAY RESURFACING OR S.M.A.R.T. PROJECTS WHERE THE DIMENSIONS ARE NOT SHOWN ON THE PLANS AND THE FINAL LOCATIONS FOR CROSSWALKS OR STOP BARS ARE NOT DETERMINED.

FILE NAME =	USER NAME = guilleumefp	DESIGNED -	REVISED -	STATE OF ILLINOIS DEPARTMENT OF TRANSPORTATION	DISTRICT 1 - DETECTOR LOOP INSTALLATION DETAILS FOR ROADWAY RESURFACING			F.A.U. RTE.	SECTION	COUNTY	TOTAL SHEETS	SHEET NO.
cr:\pwork\pwork\guilleumefp\d246850\110211-sht-plan.dgn	110211-sht-plan.dgn	DRAWN -	REVISED -					2612	2009-108-RS	COOK	18	18
PLOT SCALE = 50.0000' / IN.		CHECKED - R.K.F.	REVISED -		TS-07			CONTRACT NO. 60M35				
PLOT DATE = 5/16/2011		DATE -	REVISED -		SCALE: NONE	SHEET NO. 1 OF 1 SHEETS	STA. TO STA.	FED. ROAD DIST. NO. 1 ILLINOIS FED. AID PROJECT				