

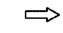
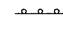
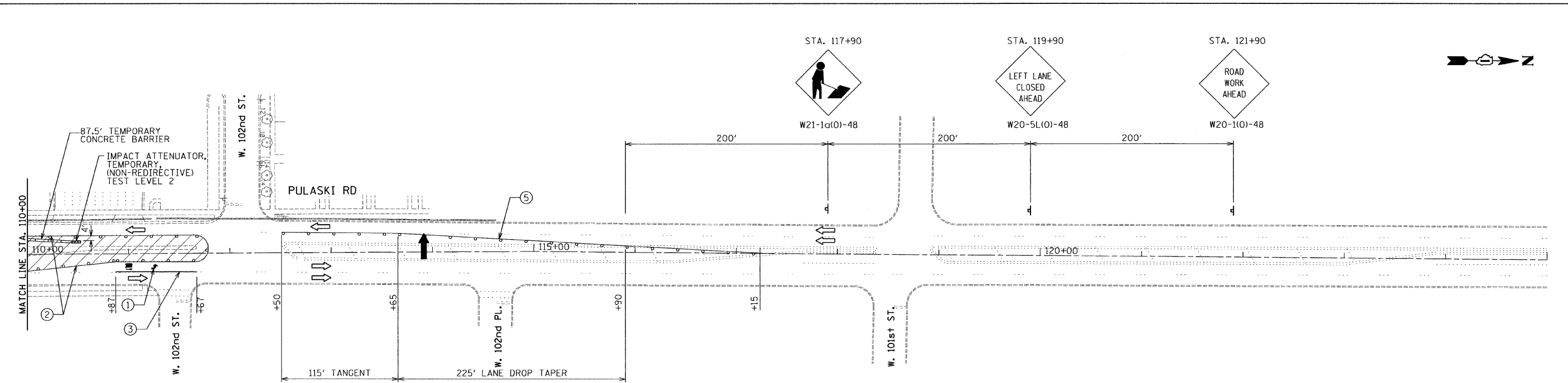
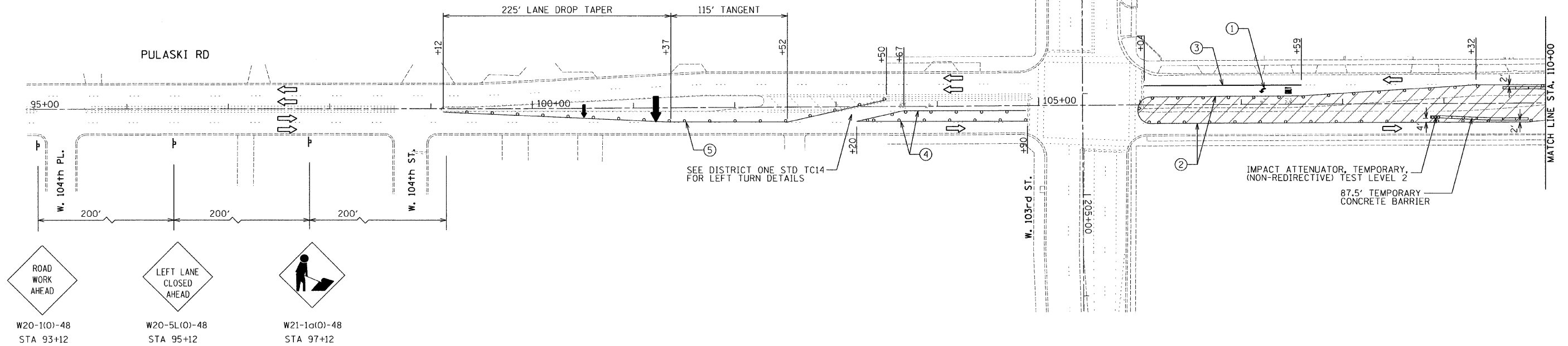


LEGEND:

-  - FLASHING ARROW BOARD
-  - WORK ZONE
-  - DIRECTION OF TRAFFIC
-  - TYPE II BARRICADES OR DRUMS WITH MONODIRECTIONAL FLASHING LIGHT AT 50' CENTERS

- ① - TEMPORARY PAVEMENT MARKING - LETTERS & SYMBOLS
- ② - TEMPORARY PAVEMENT MARKING - 4" YELLOW SOLID
- ③ - TEMPORARY PAVEMENT MARKING - 6" WHITE SOLID
- ④ - WET REFLECTIVE TEMPORARY TAPE TYPE III - 4" WHITE SOLID
- ⑤ - WET REFLECTIVE TEMPORARY TAPE TYPE III - 4" YELLOW SOLID



FILE NAME =	USER NAME = USER.	DESIGNED - EF	REVISED -	STATE OF ILLINOIS DEPARTMENT OF TRANSPORTATION	PULASKI ROAD AT 103rd STREET SUGGESTED CONSTRUCTION STAGING - STAGE 1			F.A.U. RTE. 3778	SECTION 2011-022-T	COUNTY COOK	TOTAL SHEETS 34	SHEET NO. 7
#FILE#	PLOT SCALE = 50.0000' / IN.	DRAWN - EF	REVISED -		SCALE: 50	SHEET NO. 1 OF 2 SHEETS	STA. TO STA.	CONTRACT NO. 60P21				
	PLOT DATE = 6/2/2011	CHECKED - RS	REVISED -		ILLINOIS FED. AID PROJECT							
		DATE - 06-02-2011	REVISED -									