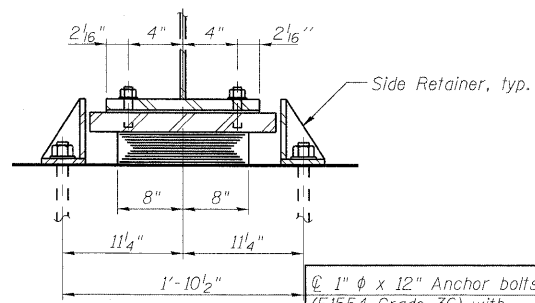
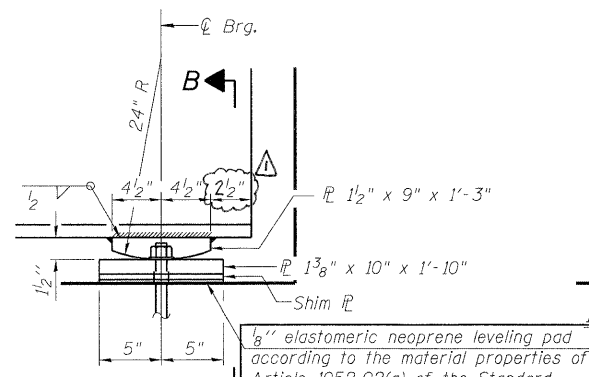


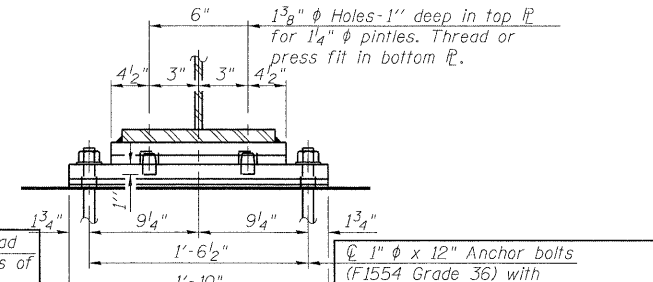
ELEVATION AT NORTH ABUTMENT



SECTION A-A

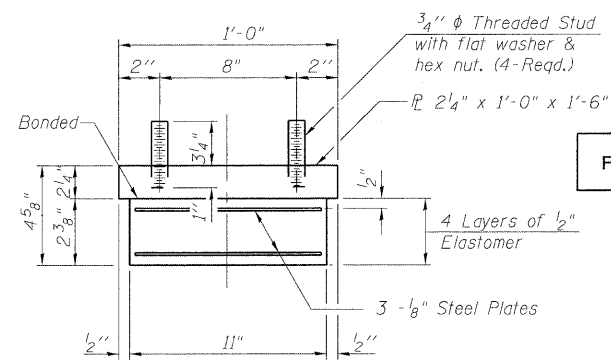


ELEVATION AT SOUTH ABUTMENT



SECTION B-B

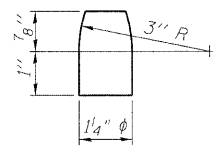
TYPE I ELASTOMERIC EXP. BRG.



BEARING ASSEMBLY

Note:
Shim plates shall not be placed under Bearing Assembly.

Notes:
Anchor bolts shall be ASTM F1554 all-thread (or an Engineer-approved alternate material) of the grade(s) and diameter(s) specified. ASTM A307 Grade C anchor bolts may be used in lieu of ASTM F1554 Grade 36 (Fy=36ksi). The corresponding specified grade of AASHTO M314 anchor bolts may be used in lieu of ASTM F1554.
Anchor bolts at fixed bearings may be either cast in place or installed in holes drilled after the supported member is in place.
Anchor bolts for side retainers may be cast in place or installed in holes drilled before or after members are in place.
Drilled and set anchor bolts shall be installed according to Article 521.06 of the Standard Specifications.
Side retainers and other steel members required for the elastomeric bearing assembly shall be included in the cost of Furnishing Elastomeric Bearing Assembly, Type I.



PINTLE

BILL OF MATERIAL

Item	Unit	Total
Furnishing Elastomeric Bearing Assembly Type I	Each	11
Anchor Bolts, 1"	Each	22

FOR INFORMATION ONLY

FILE NAME = #FILEL*	USER NAME =	DESIGNED - JY	REVISED -
		CHECKED - KO	REVISED -
	PLOT SCALE =	DRAWN - JY	REVISED -
	PLOT DATE = 12/20/2010	CHECKED - KO	REVISED -

STATE OF ILLINOIS
DEPARTMENT OF TRANSPORTATION

BEARING DETAILS
STRUCTURE NO. 049-0199

SHEET NO. OF 43 SHEETS

Rev. 7-18-11

F.A.P. RTE. 330	SECTION 128R-2-F	COUNTY LAKE	TOTAL SHEETS 28	SHEET NO. 19
CONTRACT NO. 60P54				
ILLINOIS FED. AID PROJECT				

MACTEC