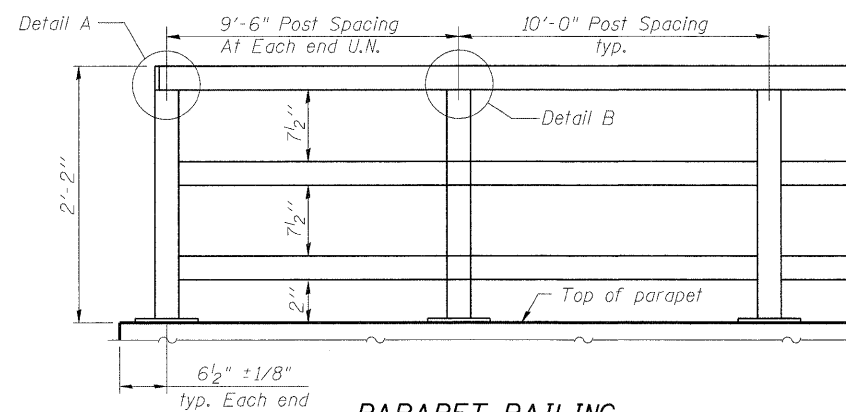


INSIDE ELEVATION OF WEST PARAPET

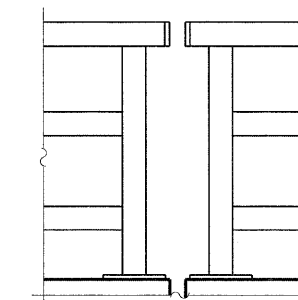
(Min. lap #4 bar = 2'-0")
 (Min. lap #8 bar = 5'-2")



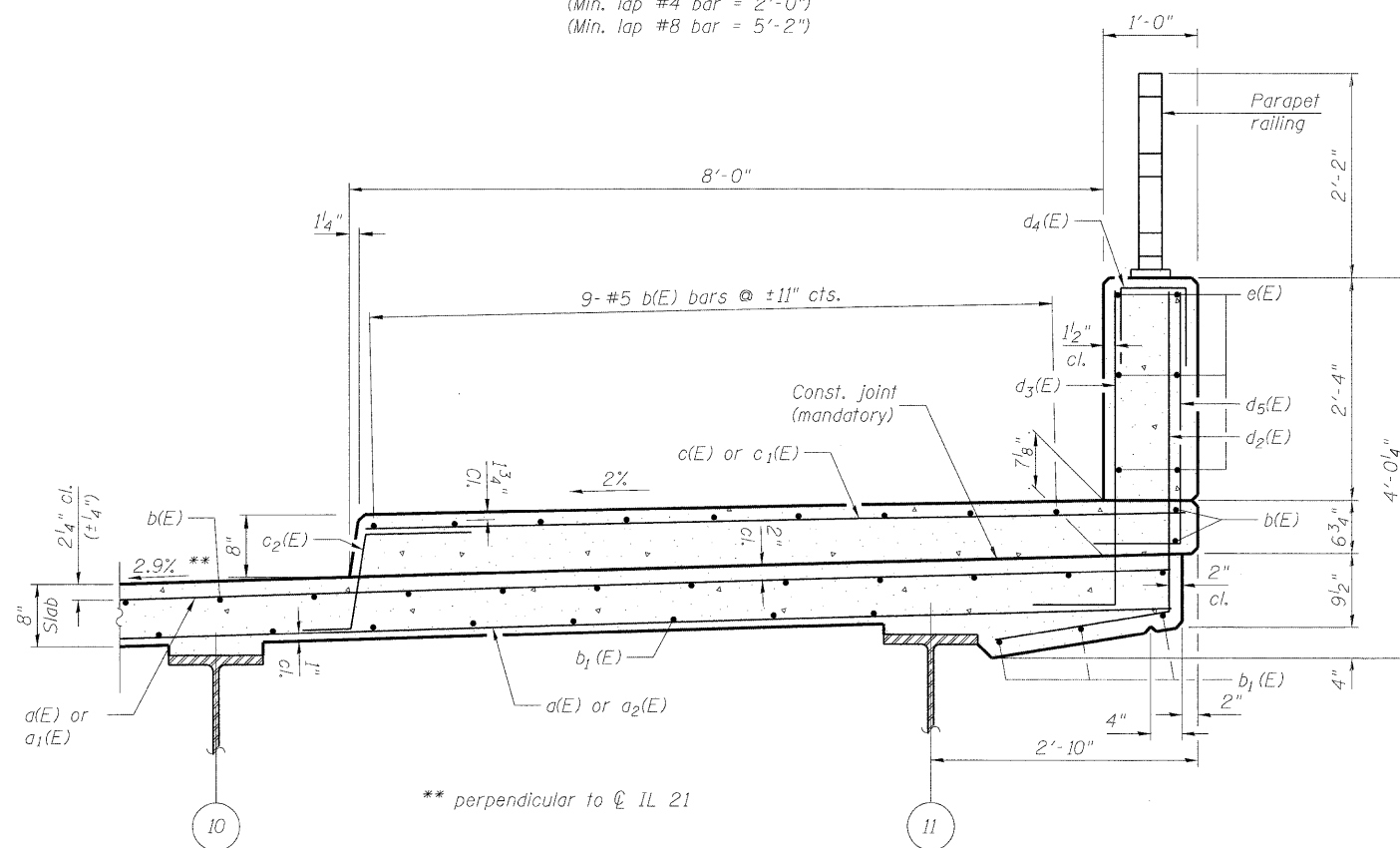
PARAPET RAILING ELEVATION

(Inside Face of Three Element Rail)

All steel rail elements shall be galvanized according to Article 509.05 of the Standard Specifications.

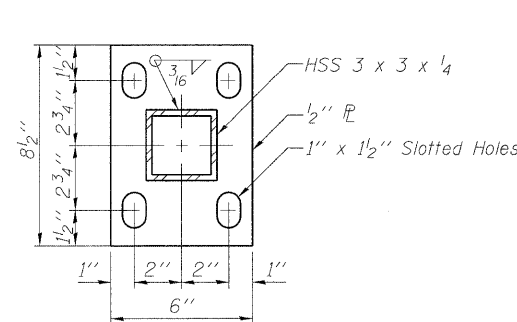


PARAPET RAILING ELEVATION AT ABUTMENT

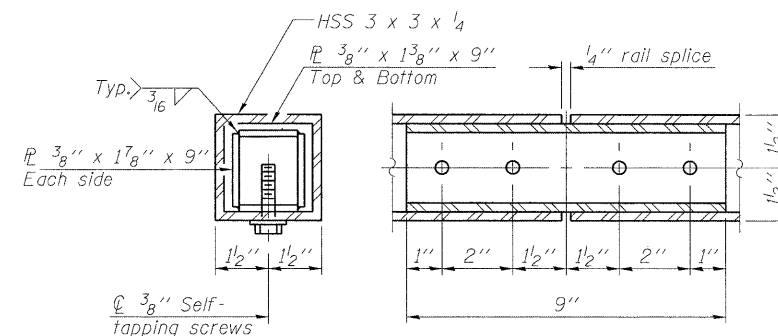


SECTION THRU WEST PARAPET

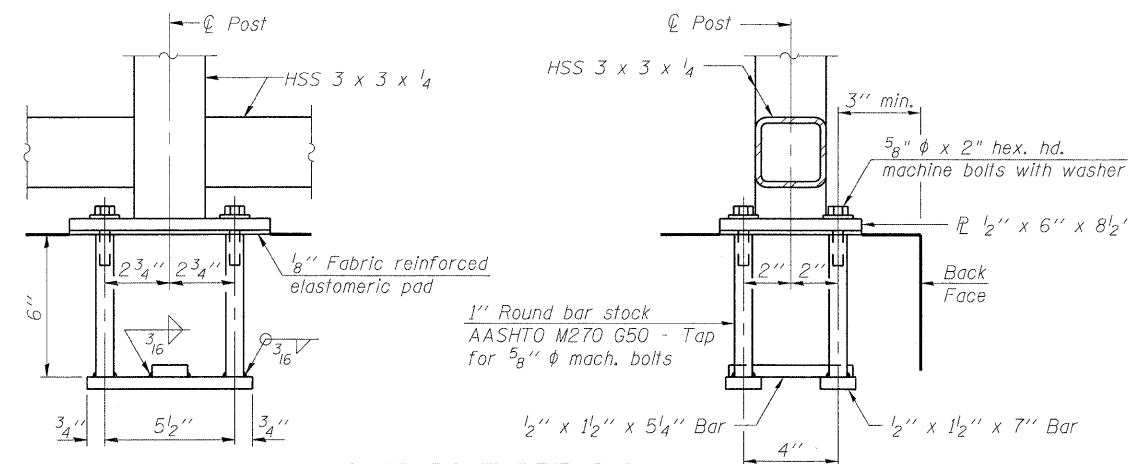
** perpendicular to \varnothing IL 21



BASE PL

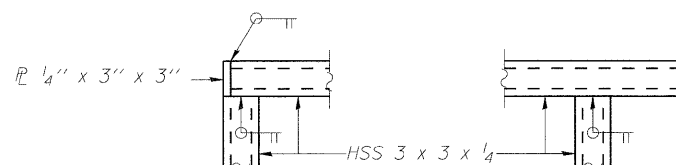


RAIL SPLICE



ANCHOR BOLT DETAILS

In lieu of the cast-in-place anchor device shown, the Contractor has the option of drilling and setting 5/8" \varnothing anchor rods according to Article 509.06 of the Standard Specifications. Embedment shall be according to the manufacturer's specifications.



DETAIL A

DETAIL B

FOR INFORMATION ONLY **MACTEC**

FILE NAME =	USER NAME =	DESIGNED - KO	REVISED -
#FILE#		CHECKED - JY	REVISED -
	PLOT SCALE =	DRAWN - KO	REVISED -
	PLOT DATE = 12/28/2018	CHECKED - JY	REVISED -

**STATE OF ILLINOIS
 DEPARTMENT OF TRANSPORTATION**

**WEST PARAPET ELEVATION AND DETAILS
 STRUCTURE NO. 049-0199**

SHEET NO. 15 OF 43 SHEETS

F.A.P. RTE.	SECTION	COUNTY	TOTAL SHEETS	SHEET NO.
330	12BR-2-F	LAKE	28	12
			CONTRACT NO. 60P54	
[ILLINOIS] FED. AID PROJECT				