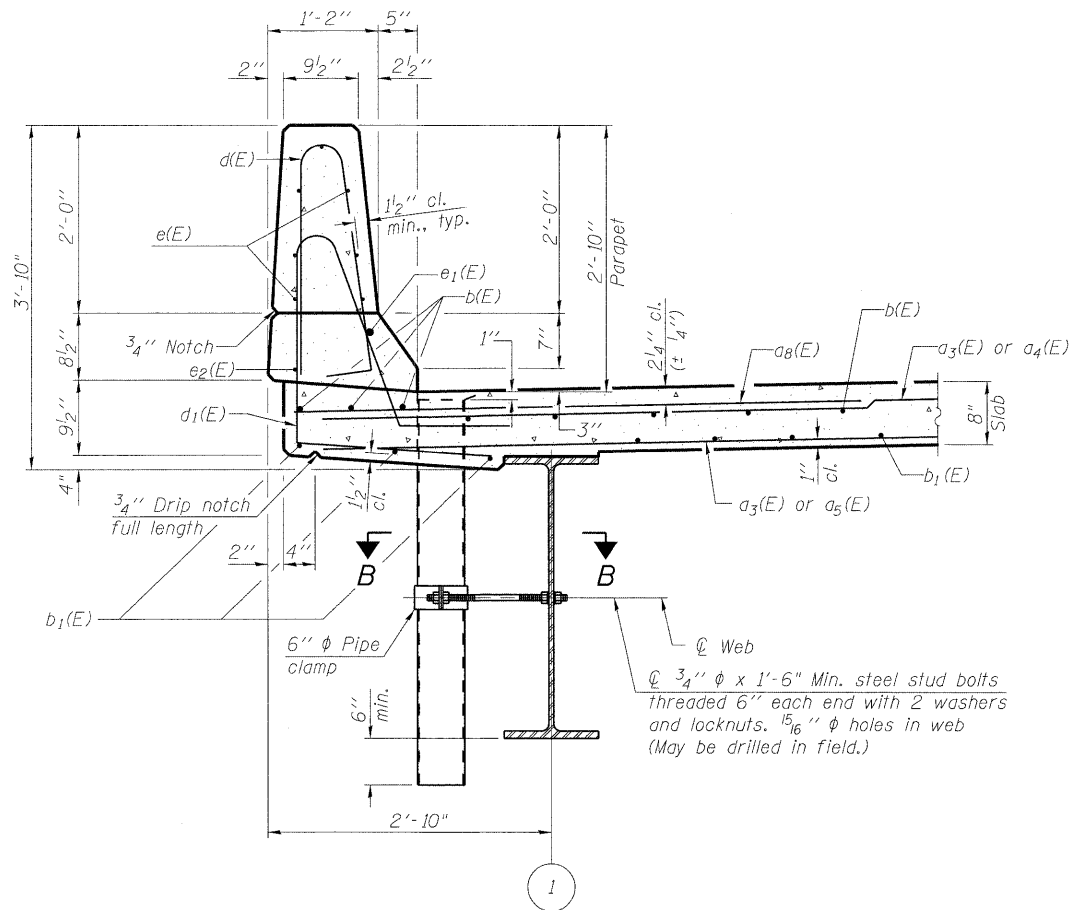
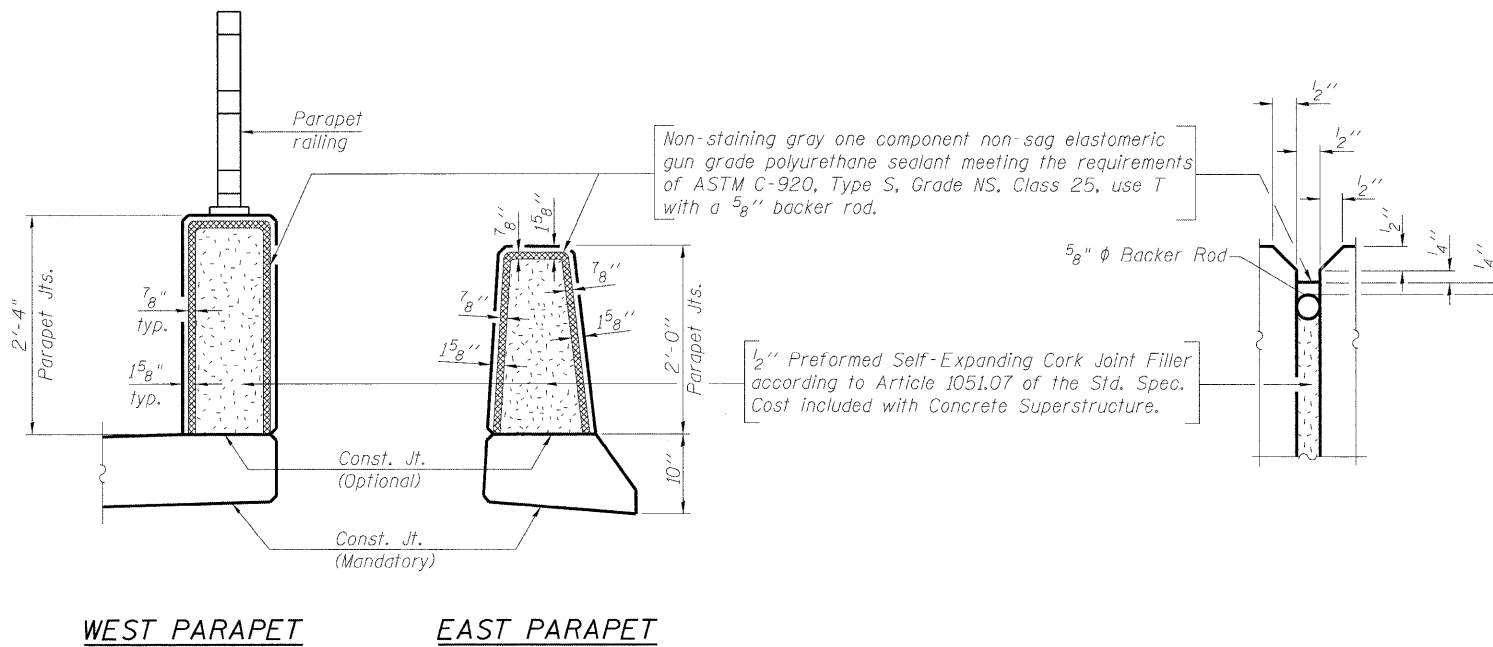


INSIDE ELEVATION OF EAST PARAPET

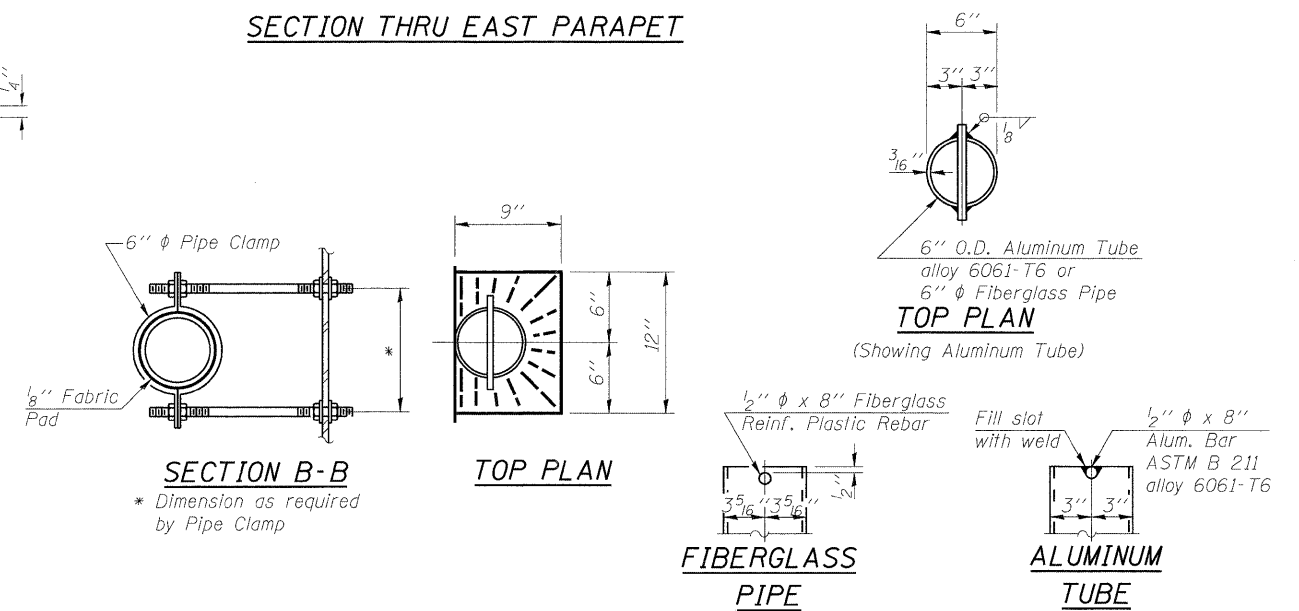
(Min. lap #4 bar = 2'-0")
 (Min. lap #8 bar = 5'-2")



SECTION THRU EAST PARAPET



PARAPET JOINT DETAILS



Notes:

Drains shall be located clear of all diaphragms.
 The exterior surfaces of the floor drains shall be painted with the finish coat as specified in the special provisions for Cleaning and Painting New Metal Structures. The exterior surfaces of the drains shall be cleaned according to the Society of Protective Coatings' Spec. SSPC-SP1 prior to painting.
 Fiberglass pipe shall conform to ASTM D 2996, with short-time rupture strength hoop tensile stress of 30,000 p.s.i. minimum.
 Galvanize clamping device according to AASHTO M232. Cost of clamping device and inserts is included with Floor Drains.

FOR INFORMATION ONLY **MACTEC**

FILE NAME =	USER NAME =	DESIGNED - KO	REVISED -
#FILE#		CHECKED - JY	REVISED -
	PLOT SCALE =	DRAWN - KO	REVISED -
	PLOT DATE = 12/20/2010	CHECKED - JY	REVISED -

**STATE OF ILLINOIS
 DEPARTMENT OF TRANSPORTATION**

**EAST PARAPET ELEVATION AND DETAILS
 STRUCTURE NO. 049-0199**

SHEET NO. 16 OF 43 SHEETS

F.A.P. RTE.	SECTION	COUNTY	TOTAL SHEETS	SHEET NO.
330	128R-2-F	LAKE	28	13
CONTRACT NO. 60P54			ILLINOIS FED. AID PROJECT	