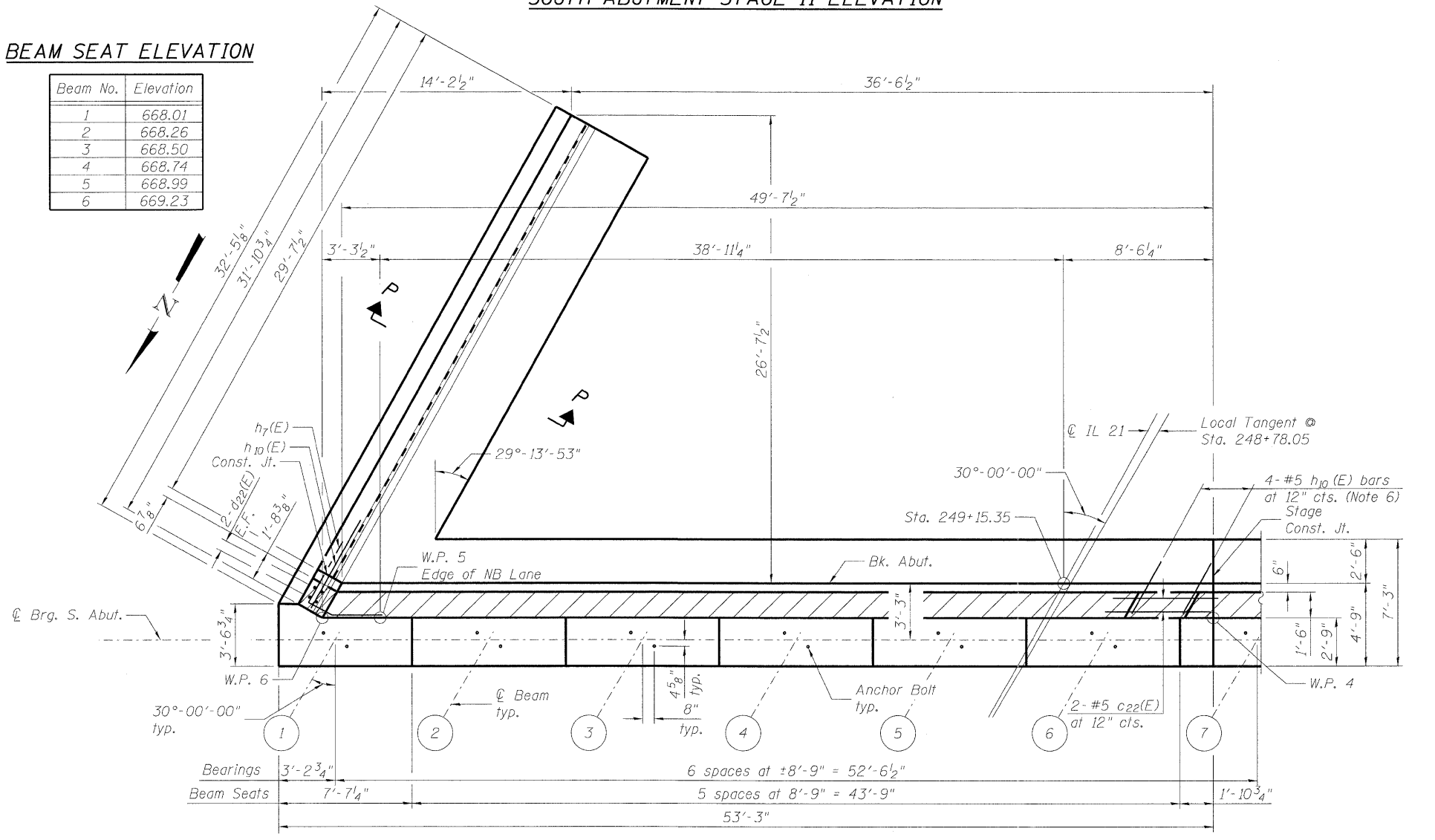


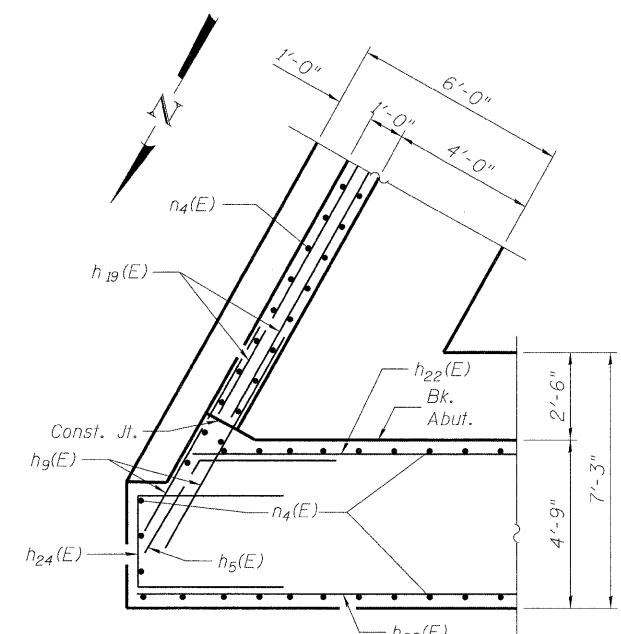
SOUTH ABUTMENT STAGE II ELEVATION

BEAM SEAT ELEVATION

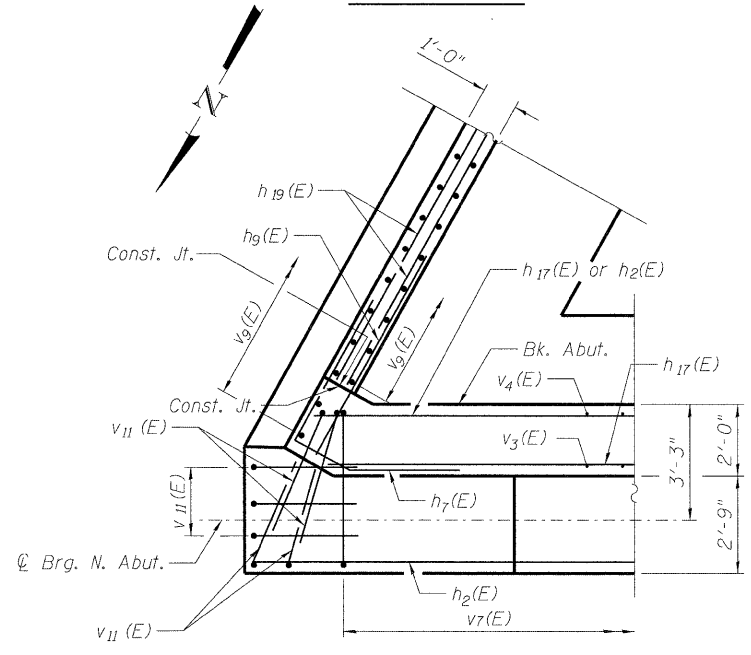
Beam No.	Elevation
1	668.01
2	668.26
3	668.50
4	668.74
5	668.99
6	669.23



SOUTH ABUTMENT STAGE II PLAN VIEW



SECTION L-L



SECTION M-M

- Notes:
1. See Section H-H on sheet 35 of 43.
 2. See Section P-P on sheet 37 of 43.
 3. Hatched area to be poured after superstructure false work has been removed. Quantity of concrete included with Concrete Superstructure.
 4. Space reinforcement in cap to miss anchor bolts.
 5. Pour steps monolithically with cap
 6. Place bar splicer (E), v₄(E) and h₁₀(E) bars parallel to beams. Alternate bar splicer with v₄(E) bars.
 - * 7. Field cut v₇(E) bars at the east corner to fit.
 8. Min. lap splice for #5 bar is 2'-11" and #6 bar is 3'-6" unless noted otherwise.