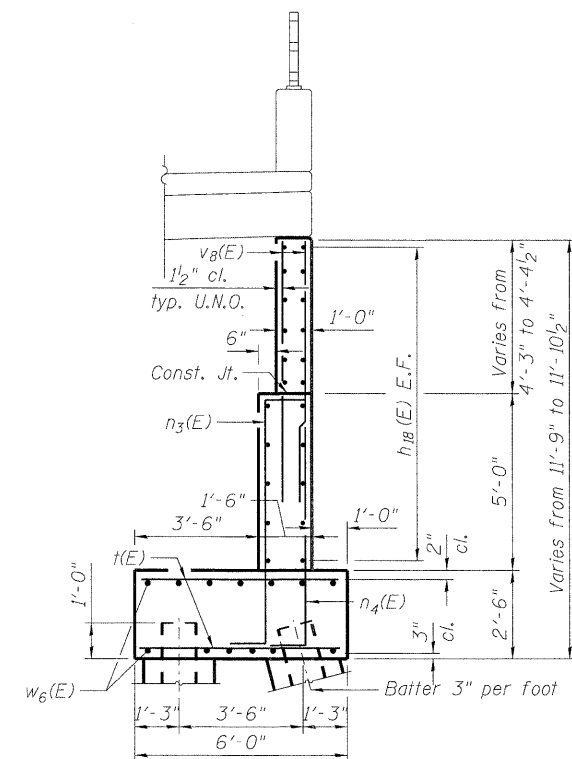
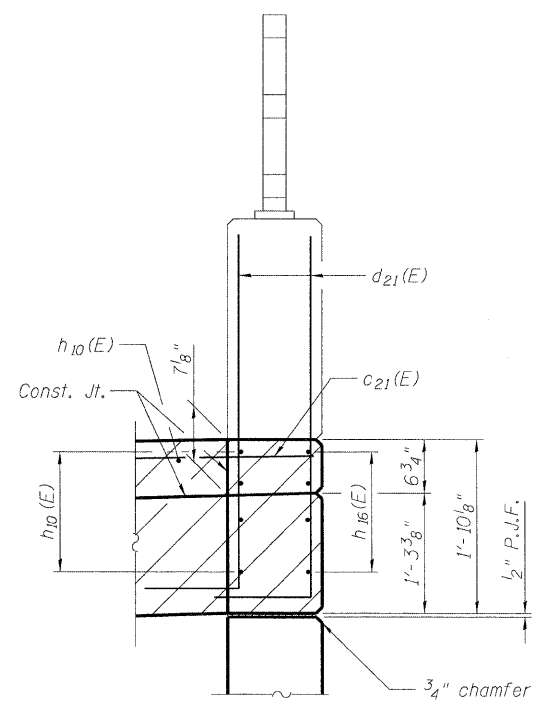


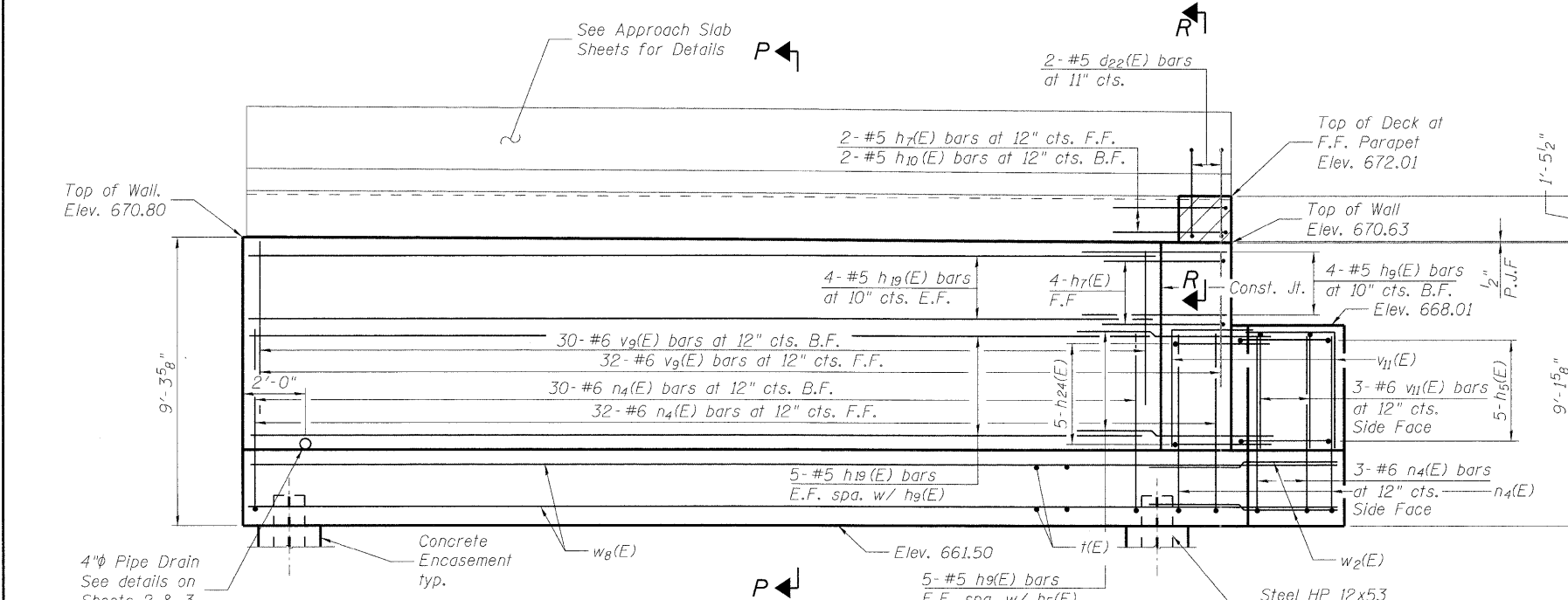
**SOUTH ABUTMENT WEST WINGWALL ELEVATION**  
(Looking East)



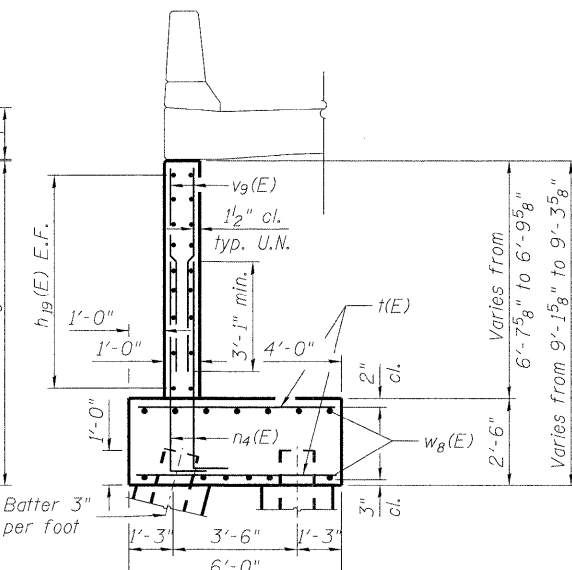
**SECTION N-N**



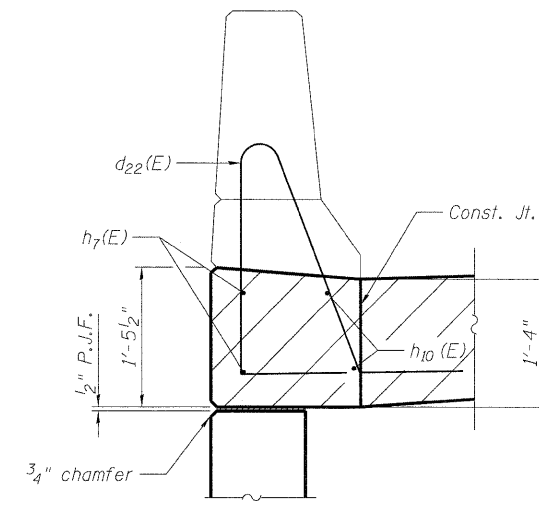
**SECTION Q-Q**



**SOUTH ABUTMENT EAST WINGWALL ELEVATION**  
(Looking West)



**SECTION P-P**



**SECTION R-R**

FILE NAME = #FILEL#	USER NAME =	DESIGNED - JY	REVISED -
		CHECKED - RMK	REVISED -
		DRAWN - JY	REVISED -
		CHECKED - RMK	REVISED -
	PLOT DATE = 12/20/2010		

**STATE OF ILLINOIS  
DEPARTMENT OF TRANSPORTATION**

**SOUTH ABUTMENT WINGWALL  
STRUCTURE NO. 049-0199**

SHEET NO. 37 OF 43 SHEETS

FOR INFORMATION ONLY **MACTEC**

F.A.P. RTE.	SECTION	COUNTY	TOTAL SHEETS	SHEET NO.
330	128R-2-F	LAKE	28	27
CONTRACT NO. 60P54				

ILLINOIS FED. AID PROJECT