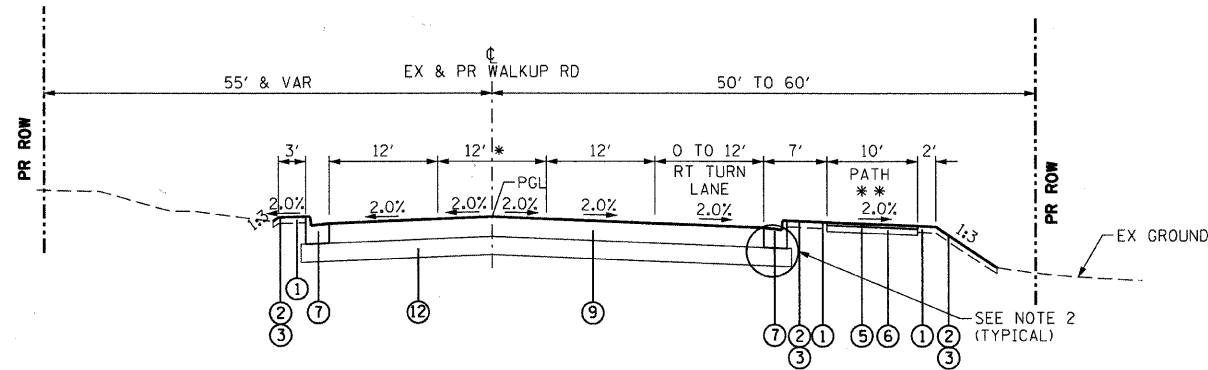


WALKUP ROAD - PROPOSED TYPICAL SECTION
STA 67+09.00 TO STA 76+42.41



WALKUP ROAD - PROPOSED TYPICAL SECTION
STA 76+42.41 TO STA 81+53.97 (BURNING BUSH TR)

* LEFT TURN LANE/ PAINTED MEDIAN/ TWO WAY LEFT TURN LANE
** SEE PLAN FOR LOCATION OF SHARED USE PATH

NOTES:

- SEE SHEET 028 AND CROSS SECTIONS FOR DEPTHS AND LOCATIONS OF UNDERCUT AND POROUS GRANULAR EMBANKMENT, SUBGRADE.
- EXTEND THE SUBBASE OR AGGREGATE SUBGRADE AND ANY REQUIRED UNDERCUT 6" PAST THE BACK OF CURB AND BITUMINOUS WIDENING.
- COMBINATION CONCRETE CURB AND GUTTER SHALL BE CONSTRUCTED FULL THICKNESS ON THE TOP OF THE SUBBASE.
- THE BOTTOM SLOPE OF THE COMBINATION CONCRETE CURB AND GUTTER CONSTRUCTED ADJACENT TO THE PAVEMENT SHALL BE THE SAME SLOPE AS THE ADJACENT PAVEMENT.
- AGGREGATE BASE COURSE TYPE B SHALL MEET ALL THE REQUIREMENTS FOR AGGREGATE BASE COURSE TYPE A EXCEPT THAT ADDING TO THE AGGREGATE (BY USE OF A CONTROLLED AGGREGATE MIXING SYSTEM) BEFORE IT IS DEPOSITED ON THE SUBGRADE WILL NOT BE REQUIRED.

PROPOSED LEGEND

① TOPSOIL, 4"	⑥ AGGREGATE BASE COURSE, TYPE B, 6" (SEE NOTE 5)	⑨ HOT-MIX ASPHALT PAVEMENT (FULL-DEPTH), 13" (SEE NOTE 6)	⑫ AGGREGATE SUBGRADE, 12"
② SEEDING, CLASS 2A & EROSION CONTROL BLANKET	⑦ COMBINATION CURB & GUTTER, TYPE B-6.24 (SEE NOTE 3 & 4)	⑩ POLYMERIZED HOT-MIX ASPHALT SURFACE COURSE, STONE MATRIX ASPHALT, N80 (2")	⑬ STRIP REFLECTIVE CRACK CONTROL TREATMENT (TYPE A)
③ SODDING, SALT TOLERANT	⑧ HOT-MIX ASPHALT PAVEMENT (FULL-DEPTH), 14"	⑪ LEVELING BINDER (MACHINE METHOD), N70 (VARIABLE DEPTH)	⑭ HOT-MIX ASPHALT BASE COURSE WIDENING, 12"
④ PORTLAND CEMENT CONCRETE SIDEWALK, 5"	⑫ POLYMERIZED HOT-MIX ASPHALT SURFACE COURSE, STONE MATRIX ASPHALT, N80 (2")	⑬ POLYMERIZED HOT-MIX ASPHALT BINDER COURSE, IL-19.0, N70 (11")	⑮ HOT-MIX ASPHALT BASE COURSE, 11"
⑤ HOT-MIX ASPHALT SURFACE COURSE, MIX "C", N50 (2")	⑭ POLYMERIZED HOT-MIX ASPHALT SURFACE COURSE, STONE MATRIX ASPHALT, N80 (2")	⑯ HOT-MIX ASPHALT SURFACE COURSE, MIX "D", N70 (11")	⑯ HOT-MIX ASPHALT SHOULDERS, 8"
	⑮ POLYMERIZED HOT-MIX ASPHALT BINDER COURSE, STONE MATRIX ASPHALT, N80 (2")	⑰ AGGREGATE SHOULDER, TYPE B 6"	⑰ AGGREGATE SHOULDER, TYPE B 6"
	⑯ POLYMERIZED HOT-MIX ASPHALT BINDER COURSE, IL-19.0, N90 (10")	⑱ HOT-MIX ASPHALT SURFACE COURSE, MIX "D", N70 (1 1/2")	⑱ SUBBASE GRANULAR MATERIAL, TYPE B, 6"
		⑲ HOT-MIX ASPHALT SURFACE COURSE, MIX "D", N70 (1 1/2")	⑲ HOT-MIX ASPHALT SURFACE COURSE, MIX "D", N70 (1 1/2")
		⑳ HOT-MIX ASPHALT BINDER COURSE, IL-19.0, N70 (2 1/2" & VAR DEPTH)	⑳ HOT-MIX ASPHALT BINDER COURSE, IL-19.0, N70 (2 1/2" & VAR DEPTH)
		㉑ HOT-MIX ASPHALT BINDER COURSE, IL-19.0, N70 (9")	㉑ HOT-MIX ASPHALT BINDER COURSE, IL-19.0, N70 (9")

REVISIONS	
NAME	DATE

MCHENRY COUNTY DIVISION OF TRANSPORTATION
WALKUP ROAD F.A.U. 0085

**PROPOSED TYPICAL SECTIONS
WALKUP ROAD
SHEET 2 OF 4**

SCALE: N.T.S. DRAWN BY: RJS
DATE: 04/15/11 CHECKED BY: MCD

TENG
TENG & ASSOCIATES, INC.
ENGINEERS ARCHITECTS SURVEYORS
816 N. MICHIGAN AVE. CHICAGO, IL 60610
TELEPHONE: 312.646.6000

\S02A000.DGN, \S02A002.DGN, \S02A003.DGN, \S02A004.DGN, \S02A005.DGN, \S02A006.DGN, \S02A007.DGN, \S02A008.DGN, \S02A009.DGN, \S02A010.DGN, \S02A011.DGN, \S02A012.DGN, \S02A013.DGN, \S02A014.DGN, \S02A015.DGN, \S02A016.DGN, \S02A017.DGN, \S02A018.DGN, \S02A019.DGN, \S02A020.DGN, \S02A021.DGN, \S02A022.DGN, \S02A023.DGN, \S02A024.DGN, \S02A025.DGN, \S02A026.DGN, \S02A027.DGN, \S02A028.DGN, \S02A029.DGN, \S02A030.DGN, \S02A031.DGN, \S02A032.DGN, \S02A033.DGN, \S02A034.DGN, \S02A035.DGN, \S02A036.DGN, \S02A037.DGN, \S02A038.DGN, \S02A039.DGN, \S02A040.DGN, \S02A041.DGN, \S02A042.DGN, \S02A043.DGN, \S02A044.DGN, \S02A045.DGN, \S02A046.DGN, \S02A047.DGN, \S02A048.DGN, \S02A049.DGN, \S02A050.DGN, \S02A051.DGN, \S02A052.DGN, \S02A053.DGN, \S02A054.DGN, \S02A055.DGN, \S02A056.DGN, \S02A057.DGN, \S02A058.DGN, \S02A059.DGN, \S02A060.DGN, \S02A061.DGN, \S02A062.DGN, \S02A063.DGN, \S02A064.DGN, \S02A065.DGN, \S02A066.DGN, \S02A067.DGN, \S02A068.DGN, \S02A069.DGN, \S02A070.DGN, \S02A071.DGN, \S02A072.DGN, \S02A073.DGN, \S02A074.DGN, \S02A075.DGN, \S02A076.DGN, \S02A077.DGN, \S02A078.DGN, \S02A079.DGN, \S02A080.DGN, \S02A081.DGN, \S02A082.DGN, \S02A083.DGN, \S02A084.DGN, \S02A085.DGN, \S02A086.DGN, \S02A087.DGN, \S02A088.DGN, \S02A089.DGN, \S02A090.DGN, \S02A091.DGN, \S02A092.DGN, \S02A093.DGN, \S02A094.DGN, \S02A095.DGN, \S02A096.DGN, \S02A097.DGN, \S02A098.DGN, \S02A099.DGN, \S02A100.DGN