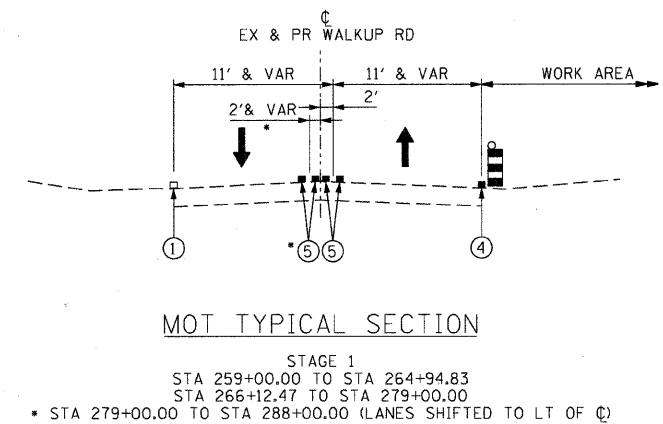
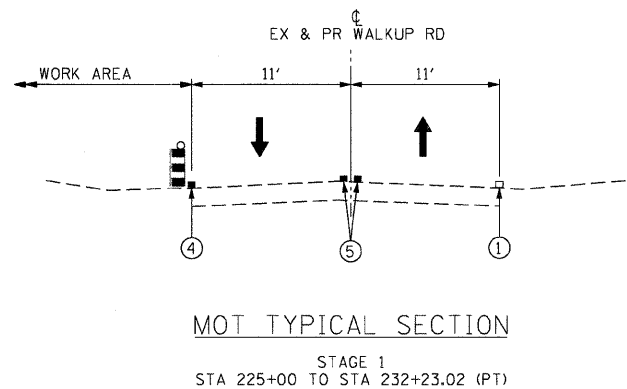
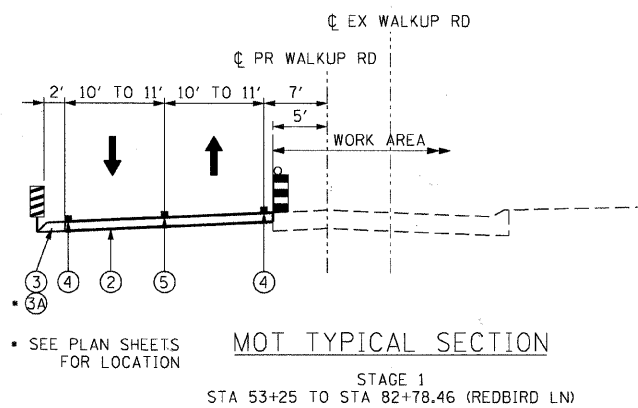
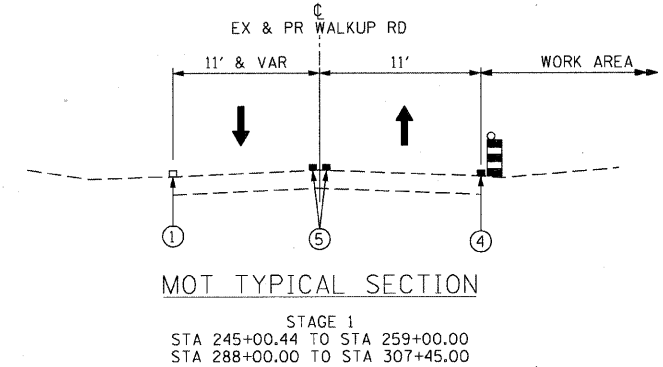
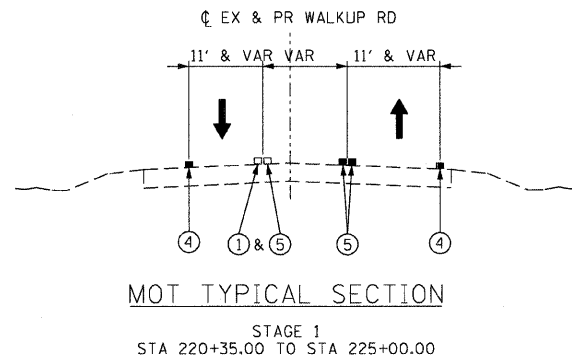
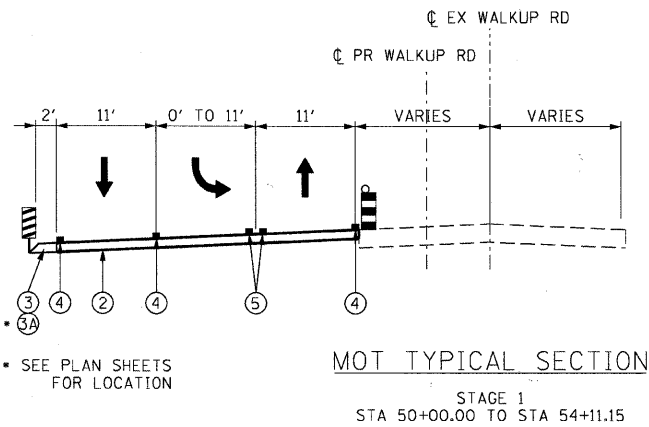
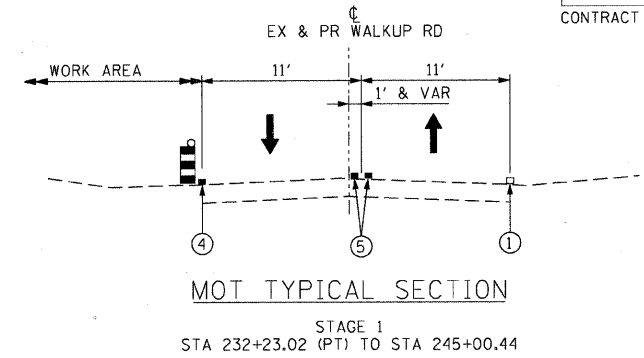
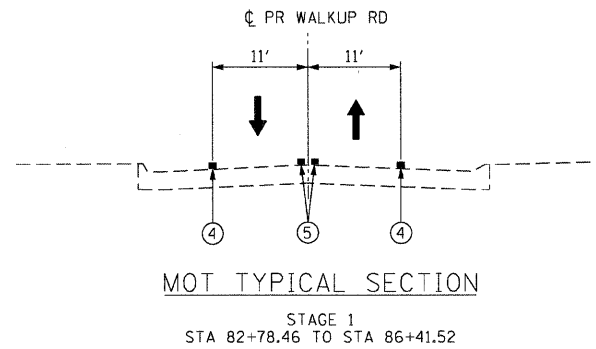
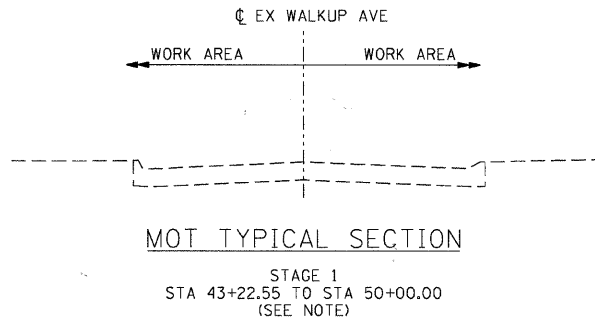


F.A.U. RTE.	SECTION	COUNTY	TOTAL SHEETS	SHEET NO.
0085	00-00246-02-FP	MCHENRY	292	056
STA.		TO STA.		
FED. ROAD DIST. NO. 1		ILLINOIS	FED. AID PROJECT	
CONTRACT NO: 63522				



**LEGEND:**

- VERTICAL PANEL W/  
STEADY BURNING LIGHT
- DRUM W/  
STEADY BURNING LIGHT
- DIRECTION OF TRAFFIC

- ① EXISTING PAVEMENT MARKING
- ② TEMPORARY PAVEMENT
- ③ TEMPORARY SHOULDER (PAID AS TEMP PAVEMENT)
- ④A COMBINATION CURB & GUTTER, TYPE B-6.24 (TEMPORARY)
- ④ TEMPORARY PAVEMENT MARKING - 4" (WHITE)
- ⑤ TEMPORARY PAVEMENT MARKING - 4" (YELLOW)
- ⑥ PROPOSED PAVEMENT MARKING

NOTE:  
EXISTING ROAD CLOSED TO  
TRAFFIC DURING STAGE 1

REVISIONS	
NAME	DATE

MCHENRY COUNTY DIVISION OF TRANSPORTATION  
WALKUP ROAD F.A.U. 0085

**MAINTENANCE OF TRAFFIC  
TYPICAL SECTIONS  
STAGE 1, SHEET 2 OF 2**

SCALE: N.T.S. DRAWN BY: TL  
DATE: 06/10/11 CHECKED BY: KA

**TENG**

TENG & ASSOCIATES, INC.  
ENGINEERS/ARCHITECTS/PLANNERS  
265 N. KEDZIE AVENUE CHICAGO, IL 60611  
TELEPHONE: 773-524-6600

STANKIRJ  
 .\NF02A000.DGN --\BD99A000.DGN  
 6-09-2011 16:36:06  
 1 2 3 4 5 6 7 8 9 10 11 12 13 14 15 16 17 18 19 20 21 22 23 24 25 26 27 28 29 30 31 32 33 34 35 36 37 38 39 40 41 42 43 44 45 46 47 48 49 50 51 52 53 54 55 56 57 58 59 60 61 62 63