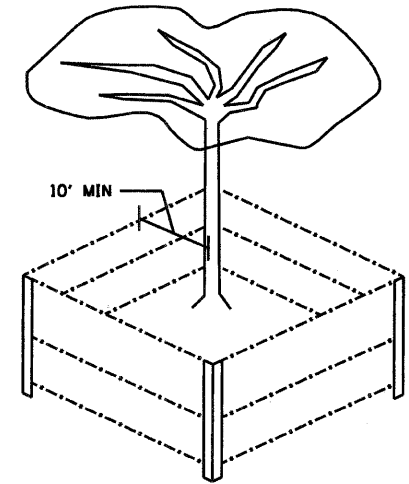


F.A.U. RTE.	SECTION	COUNTY	TOTAL SHEETS	SHEET NO.
0085	00-00246-02-FF	MCHENRY	292	080
STA.		TO STA.		
FED. ROAD DIST. NO. 1		ILLINOIS	FED. AID PROJECT	
CONTRACT NO: 63522				

EROSION AND SEDIMENT CONTROL GENERAL NOTES

1. THE WORK DESCRIBED ON THESE DRAWINGS ARE AN INTEGRAL PART OF THE STORM WATER POLLUTION PREVENTION PLAN THAT IS DESIGNED TO COMPLY WITH THE CONDITIONS OF THE NATIONAL POLLUTANT DISCHARGE ELIMINATION SYSTEM (NPDES) STORM WATER PERMIT FOR CONSTRUCTION SITE ACTIVITIES.
2. THE PURPOSE OF THE EROSION AND SEDIMENT CONTROL MEASURES INCLUDED FOR THIS PROJECT IS TO LIMIT THE SEDIMENT POLLUTION IMPACT, OF ANY STORM WATER DISCHARGES THAT ORIGINATE ON THIS SITE OR OFF-SITE FLOWS THAT FLOW OVER THE DISTURBED AREAS, OR DOWNSTREAM AREAS.
3. IT IS THE RESPONSIBILITY OF THE CONTRACTOR TO INSURE THAT SEDIMENT TRANSPORT OFF THE SITE IS REDUCED BY A COMBINATION OF MINIMIZATION OF EROSION AT THE SOURCE AND INSTALLATION OF SPECIFIC MEASURES TO CONTROL OR REDUCE THE TRANSPORT OF SEDIMENT. A COPY OF THE EROSION AND SEDIMENT CONTROL SCHEDULE BEING IMPLEMENTED BY THE CONTRACTOR WILL BE ON THE CONSTRUCTION SITE AT ALL TIMES.
4. ALL RUNOFF ORIGINATING ON DISTURBED AREAS ASSOCIATED WITH THIS PROJECT WILL PASS THROUGH ONE OR MORE MEASURES THAT WILL MINIMIZE THE OFF-SITE SEDIMENT IMPACTS OF THE CONSTRUCTION ACTIVITY. SEE STANDARD TEMPORARY EROSION CONTROL SYSTEM DETAILS. THE MINIMUM DIMENSIONS FOR SEDIMENT BASINS ARE (5'W X 10'L X 2'D).
5. ALL PERMANENT STORM WATER DETENTION BASINS SHALL BE CONSTRUCTED, FOR THE PORTION OF THE SITE THAT IS WITHIN THE DRAINAGE AREA OF THE DETENTION BASIN, BEFORE CLEARING AND TOPSOIL STRIPPING OF THE REMAINDER OF THAT PORTION OF THE SITE PROCEEDS.
6. DISTURBED AREAS ARE TO BE PROTECTED FROM EROSION IN A TIMELY MANNER. UPON COMPLETION OF GRADING OR CONSTRUCTION, THE AREA SHALL BE STABILIZED (USING PERMANENT MEASURES WHEN POSSIBLE) WITHIN 7 CALENDAR DAYS.
7. WHEN THE CONTRACTOR REQUESTS A CHANGE TO POSTPONE COMPLETION OF THE EXCAVATION OF A SPECIFIC AREA AS A CONTINUOUS OPERATION AND PLACING THE TOPSOIL AS DEFINED IN THE STANDARD SPECIFICATIONS, THE ENGINEER MAY ALLOW THE CONTRACTOR TO STABILIZE THE AREA USING TEMPORARY STABILIZATION WITH STRAW MULCH PROVIDING THE FOLLOWING CONDITIONS ARE MET:
(A) ALL AREAS BEING STABILIZED ARE 3:1 SLOPES OR FLATTER.
(B) THE CONTRACTOR BEARS THE COST OF PREPARING THE SEED BED AND STABILIZING THE AREA WITH TEMPORARY STABILIZATION WITH STRAW MULCH.
(C) ALL REQUIRED SEDIMENT CONTROL MEASURES FOR THE SECTION OF ROAD IN QUESTION HAVE BEEN INSTALLED ARE BEING MAINTAINED.
8. TOPSOIL WILL BE PLACED ON FINAL SLOPES WHICH WILL NOT BE DISTURBED BY FUTURE CONSTRUCTION. TOPSOIL WILL NOT BE PLACED ON SURFACES WHICH WILL BE PAVED IN THE FUTURE, NOR ON TEMPORARILY STEEP SLOPES.
9. THE RESIDENT ENGINEER SHALL HAVE FINAL DETERMINATION OF THE PLACEMENT AND LOCATION OF THE PERIMETER EROSION BARRIER.
10. SEE EROSION AND SEDIMENT CONTROL PLANS FOR PLACEMENT OF ALL EROSION AND SEDIMENT CONTROL PAY ITEMS.
11. SEE DRAINAGE PLAN & PROFILE SHEETS FOR FINAL DRAINAGE STRUCTURE, STORM SEWER AND PIPE CULVERT INFORMATION.
12. SEE DRAINAGE PLAN & PROFILE SHEETS FOR INFORMATION CONCERNING THE REMOVAL, ADJUSTMENT, RECONSTRUCTION, ETC. OF EXISTING STRUCTURE AND PIPES.
13. SEE PAVT MARKING & LANDSCAPING SHEETS FOR LOCATION OF PERMANENT EROSION CONTROL MEASURES.
14. ONE DITCH CHECK SHALL BE PLACED FOR EACH ONE FOOT DROP IN THE DITCH LINE ELEVATION AND TWO DITCH CHECKS SHALL BE PLACED APPROACHING INLETS AND PIPES.
15. THE COST OF STABILIZED CONSTRUCTION ENTRANCES REQUIRED TO PREVENT THE TRACKING OF SEDIMENTS ONTO ROADWAYS WILL NOT BE PAID FOR SEPARATELY, BUT SHALL BE CONSIDERED INCLUDED IN THE COST OF EARTH EXCAVATION.
16. THE COST OF SILT BAGS/SEDIMENTATION BAGS, ON THE DISCHARGE END OF PUMP HOSES, REQUIRED TO PRESENT THE FLOW OF SEDIMENT LADEN WATER FROM BEING RELEASED DOWNSTREAM WILL NOT BE PAID FOR SEPARATELY, BUT SHALL BE CONSIDERED INCLUDED IN THE COST OF EARTH EXCAVATION.



TREE TRUNK PROTECTION FOR MEDIUM AND LARGE TREES

N:\FS-004\AMVAULT\0-TRANS-07\2002\300-03\CIVIL\CAD\02 CONTRACT\VA TENC\SHEET\ECO2\001.SHT
 4-14-2004 15:05:57
 1 2 3 4 5 6 7 8 9 10 11 12 13 14 15 16 17 18 19 20 21 22 23 24 25 26 27 28 29 30 31 32 33 34 35 36 37 38 39 40 41 42 43 44 45 46 47 48 49 50 51 52 53 54 55 56 57 58 59 60 61 62 63
 STANKRU

REVISIONS	
NAME	DATE

MCHENRY COUNTY DIVISION OF TRANSPORTATION
 WALKUP ROAD F.A.U. 0085
EROSION & SEDIMENT CONTROL GENERAL NOTES

SCALE: N.T.S. DRAWN BY: LK
 DATE: 04/15/11 CHECKED BY: TL

TENG TENG & ASSOCIATES INC.
ENGINEERS/ARCHITECTS/PLANNERS
 295 N. MICHIGAN AVE. CHICAGO, IL 60611
 TELEPHONE: 312-487-8000