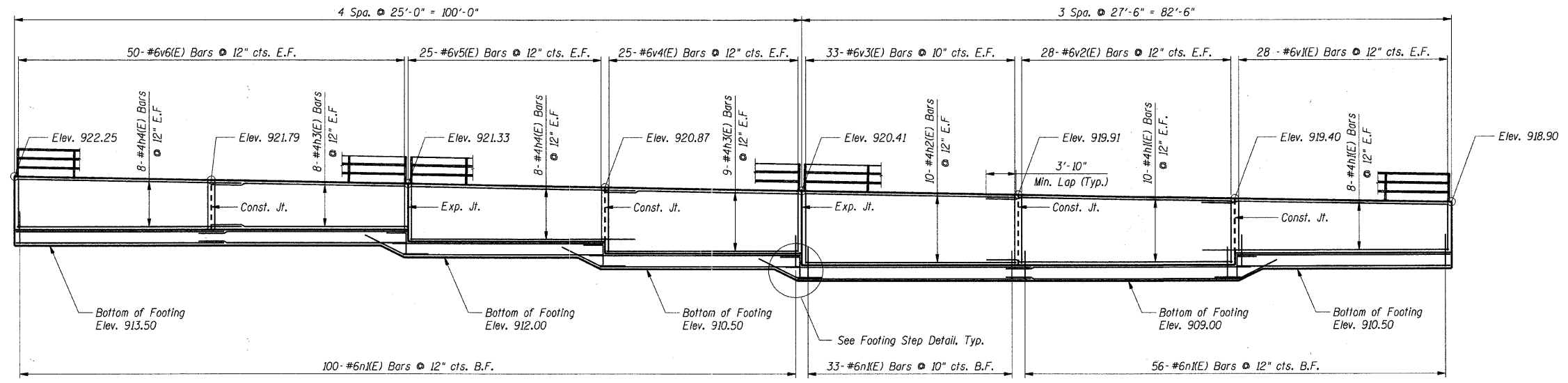
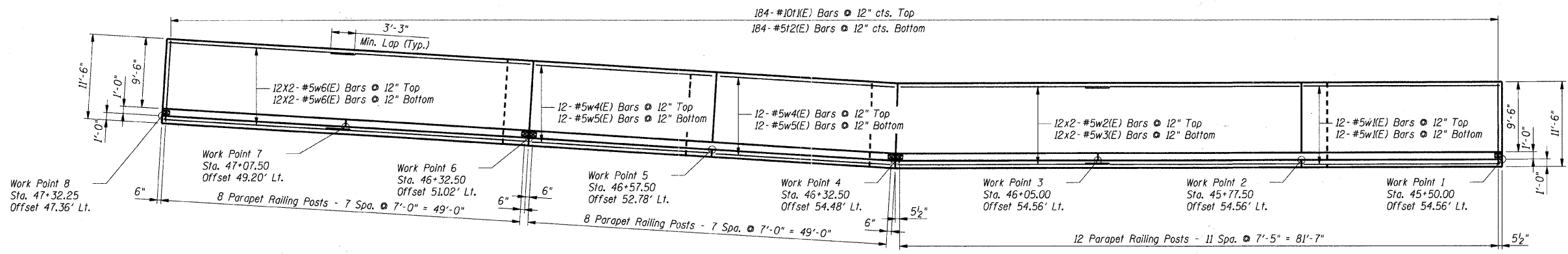


F.A.I. RTE.	SECTION	COUNTY	TOTAL SHEETS	SHEET NO.
0085	00-00246-02-FP	MCHENRY	292	192
STA.		TO STA.		
FED. ROAD DIST. NO. 1		ILLINOIS FED. AID PROJECT		
CONTRACT NO: 63522				



ELEVATION



PLAN

- Notes:**
1. Work this Sheet with SA-1, SA-3 & SA-4.
 2. E.F. denotes Each Face
F.F. denotes Front Face
B.F. denotes Back Face
 3. All edges shall have $\frac{3}{4}$ " chamfer unless noted otherwise.
 4. Bars indicated thus: 10x2-#5 etc. indicates 10 lines of bars with two lengths per line.
 5. Min. lap lengths =
#5 - 3'-3"
#6 - 3'-10"

SHT. SA-2

REVISIONS	
NAME	DATE

MCHENRY COUNTY DIVISION OF TRANSPORTATION
WALKUP ROAD F.A.U. 0085
SECTION 00-00246-02-FP
STATION 45+50.00 TO 47+32.25
ILLINOIS ROUTE 176 RETAINING WALL

PLAN AND ELEVATION

SCALE: $\frac{1}{8}$ " = 1'-0"
DATE: 04/15/11
DRAWN BY: CPB
CHECKED BY: TCG

TENG
TENG & ASSOCIATES, INC.
ENGINEERS/ARCHITECTS/PLANNERS
100 N. MICHIGAN AVE., CHICAGO, IL 60611
TELEPHONE: 312.943.6000

2:109914002.DWG, .NS02100100R
 4-14-2011 15:54:51
 V:\S-004\AK\VALLE.LP-TRANS.07.2202\300-03\STRUCT\CAD\02 CONTRACT\176 WALL\SHEET\RS02L002.SHT
 STANKERJ