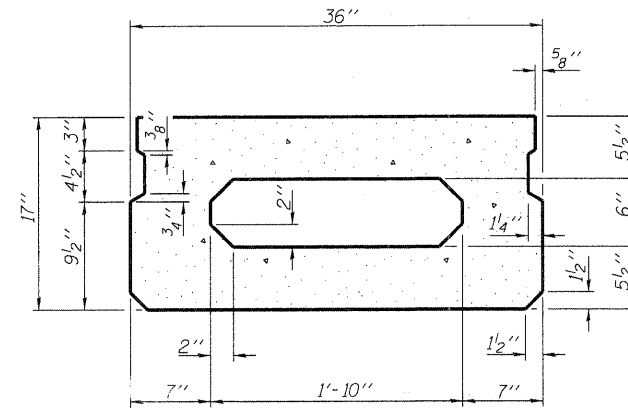
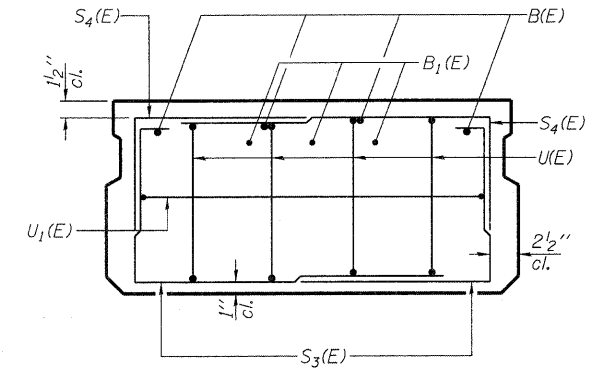


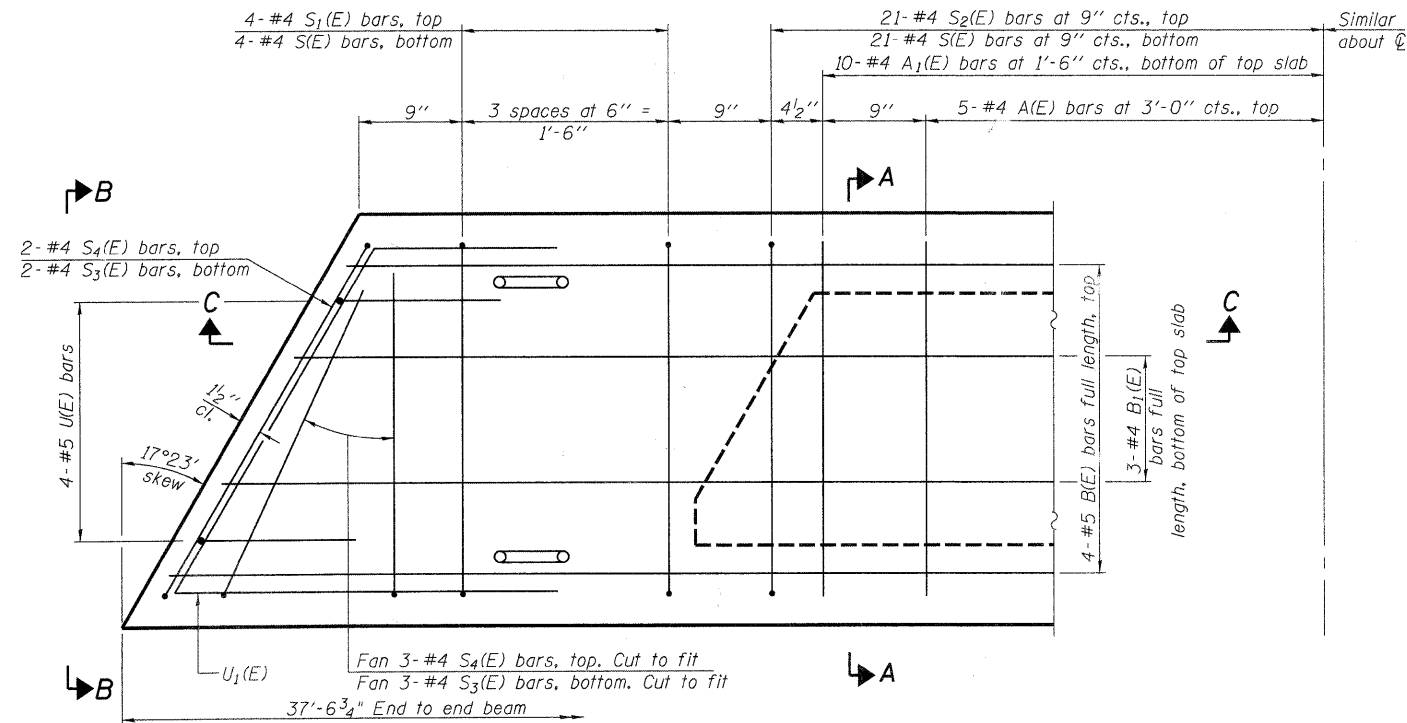
**SECTION C-C**



**SECTION A-A**  
(Showing dimensions)

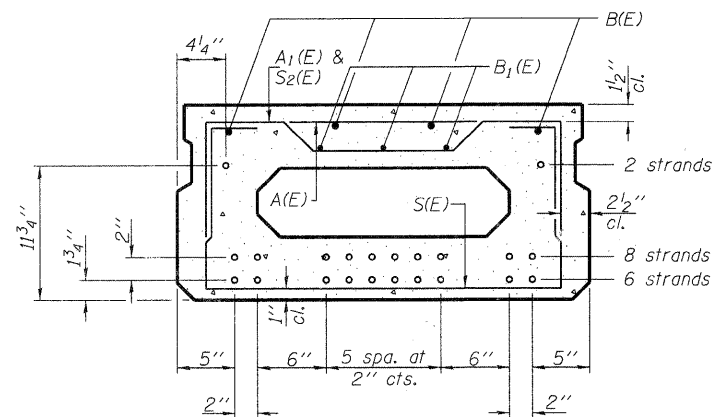


**VIEW B-B**



**PLAN VIEW**

Note: Spacing of S(E) and S2(E) bars may be adjusted up to 4" in the immediate area of the transverse tie diaphragms to miss the block outs for the transverse ties.



**SECTION A-A**  
(Showing reinforcement and permissible strand locations)

Note: Place the number of strands specified in each row symmetrically about the centerline of beam in the permissible strand locations shown.

**BAR LIST**  
**ONE BEAM ONLY**  
(For information only)

Bar	No.	Size	Length	Shape
A(E)	10	#4	2'-7"	—
A1(E)	20	#4	2'-10"	—
B(E)	4	#5	37'-3"	—
B1(E)	3	#4	37'-3"	—
S(E)	50	#4	5'-9"	□
S1(E)	8	#4	4'-3"	□
S2(E)	42	#4	4'-6"	□
S3(E)	10	#4	4'-1"	□
S4(E)	10	#4	3'-4"	□
U(E)	8	#5	3'-8"	□
U1(E)	2	#4	5'-11"	□

Note: See sheet 9 of 29 for additional details and Bill of Material.

**MINIMUM BAR LAP**

#4 bar = 2'-0"  
#5 bar = 2'-6"

**17" x 36" PPC DECK BEAMS SPANS 1 & 3**  
**STRUCTURE NO. 022-6930**



V3 Companies of Illinois Ltd.  
7325 Janes Avenue  
Woodridge, IL 60517  
630.724.9200 phone  
630.724.9202 fax  
www.v3co.com

SHEET NO. 8 29 SHEETS	F.A.U. RTE.	SECTION	COUNTY	TOTAL SHEETS	SHEET NO.
	2651	07-00083-00-BR	DUPAGE	50	22
CONTRACT NO. 63601					
FED. ROAD DIST. NO. _ ILLINOIS FED. AID PROJECT					