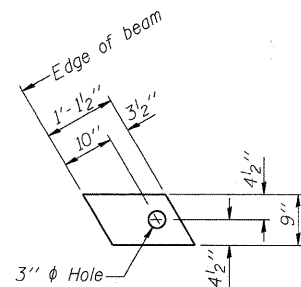


FABRIC BEARING PAD
(Interior)

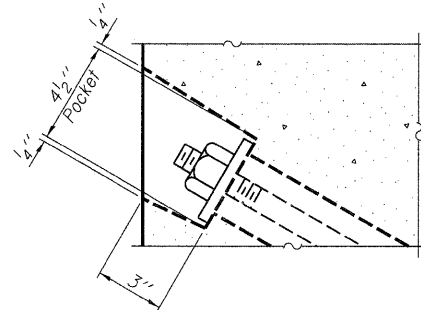


FABRIC BEARING PAD
(Exterior)

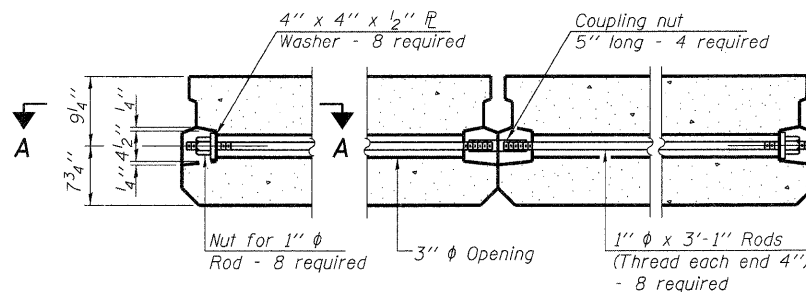
FIXED

Notes:

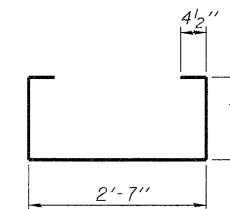
All bearing pads shall be 1" thick.
Omit holes when using expansion bearings.
Expansion bearing pad shall be bonded to the substructure.



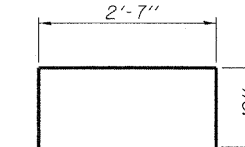
SECTION A-A



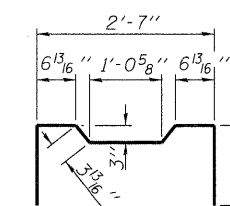
TYPICAL TRANSVERSE TIE ASSEMBLY



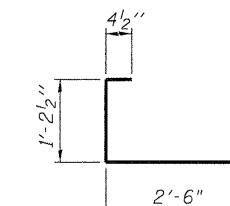
BAR S(E)



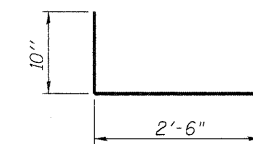
BAR S1(E)



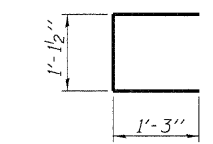
BAR S2(E)



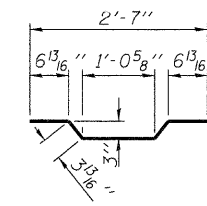
BAR S3(E)



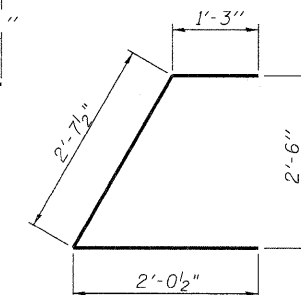
BAR S4(E)



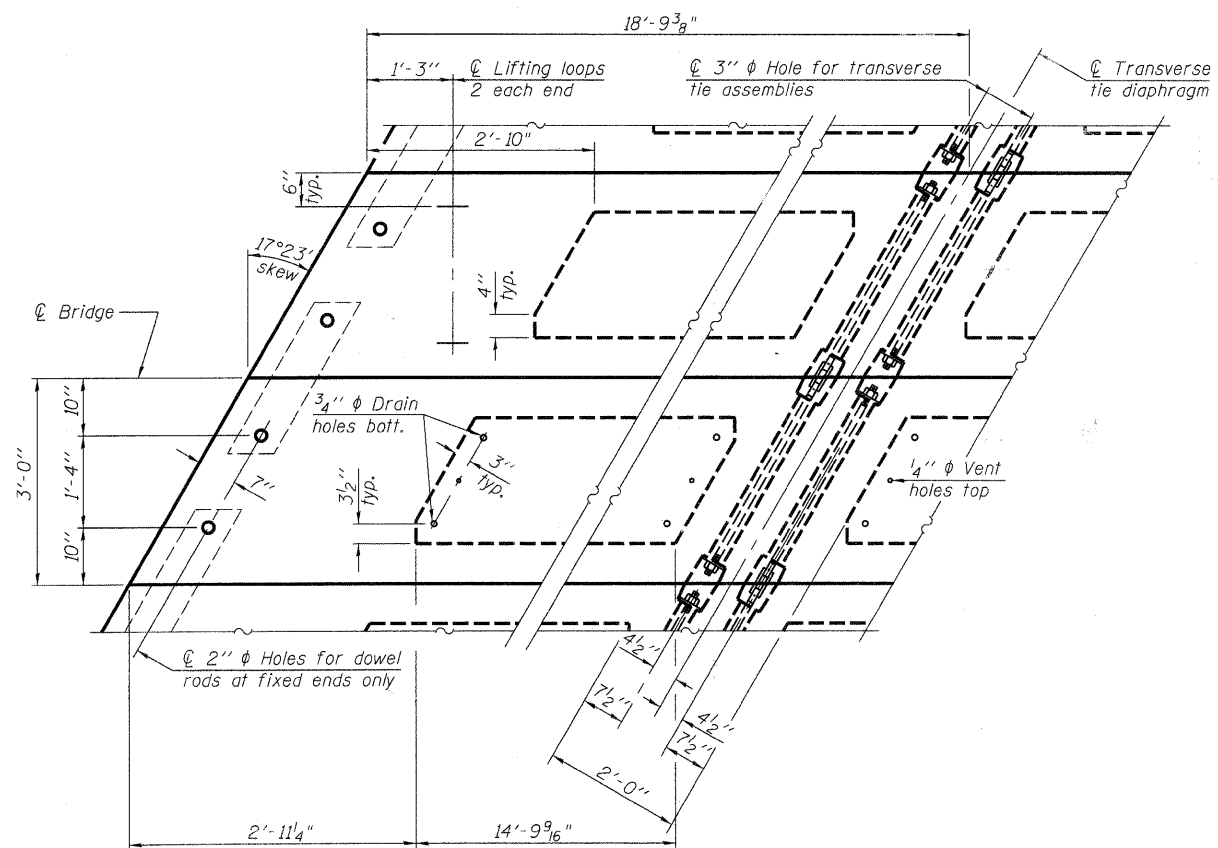
BAR U(E)



BAR A1(E)



BAR U1(E)



PLAN VIEW

Note: Connect beams in pairs with the transverse tie configuration shown.

NOTES

Prestressing steel shall be uncoated high strength, low relaxation 7-wire strand, Grade 270. The nominal diameter shall be 1/2" and the nominal cross-sectional area shall be 0.153 sq. in. The 1" phi rods in the transverse tie assembly shall be tightened to a snug fit and the threads set. Pockets on exterior faces of bridge shall be filled with grout after transverse tie assembly is in place.

Reinforcement bars shall conform to ASTM A 706, Grade 60. (See Special Provisions).

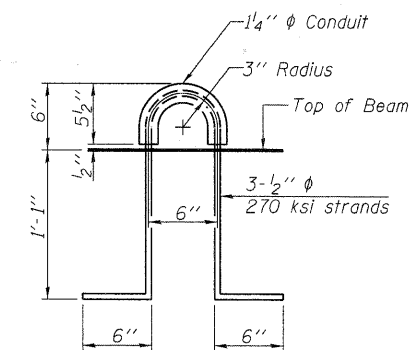
Two 1/8" fabric adjusting shims of the dimensions of the exterior bearing pad shall be provided for each bearing pad location.

A minimum 2 1/2" phi lifting pin shall be used to engage the lifting loops during handling.

Corrosion inhibitor, per Article 1020.05(b)(12) and 1021.06 of the Standard Specifications, shall be used in the concrete for precast prestressed concrete deck beams.

Compressive strength of prestressed concrete, f'c, shall be 6000 psi.

Compressive strength of prestressed concrete at release, f'ci, shall be 5000 psi.



LIFTING LOOP DETAIL

BILL OF MATERIAL

Precast Prestressed Conc. Deck Bms. (17" depth)	Sq. Ft.	451
---	---------	-----

**17" x 36" PPC DECK BEAM DETAILS SPANS 1 & 3
STRUCTURE NO. 022-6930**

SHEET NO. 9 29 SHEETS	F.A.U. RTE.	SECTION	COUNTY	TOTAL SHEETS	SHEET NO.
	2651	07-00083-00-BR	DUPAGE	50	23
FED. ROAD DIST. NO. _			ILLINOIS FED. AID PROJECT		
CONTRACT NO. 63601					