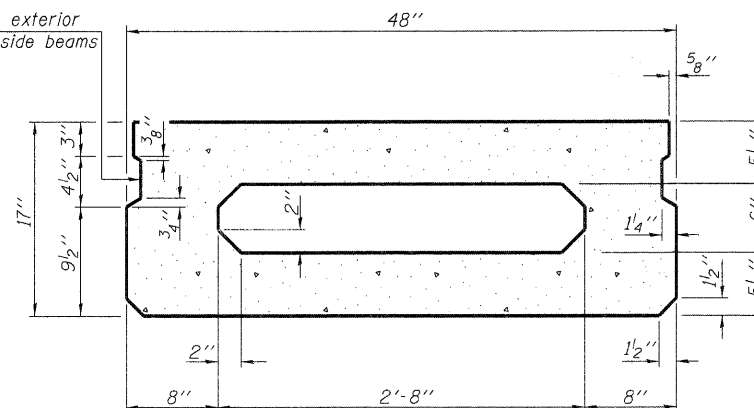
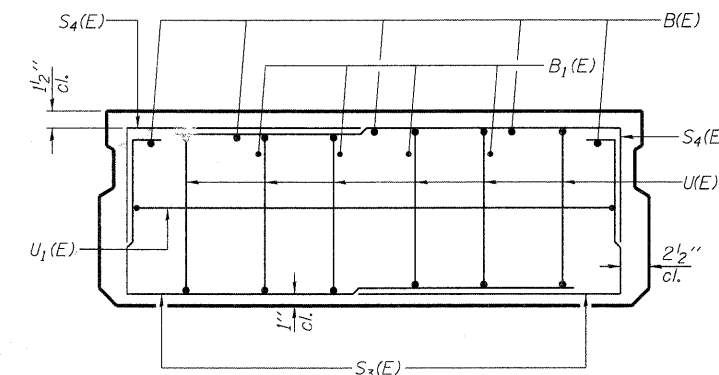


SECTION C-C

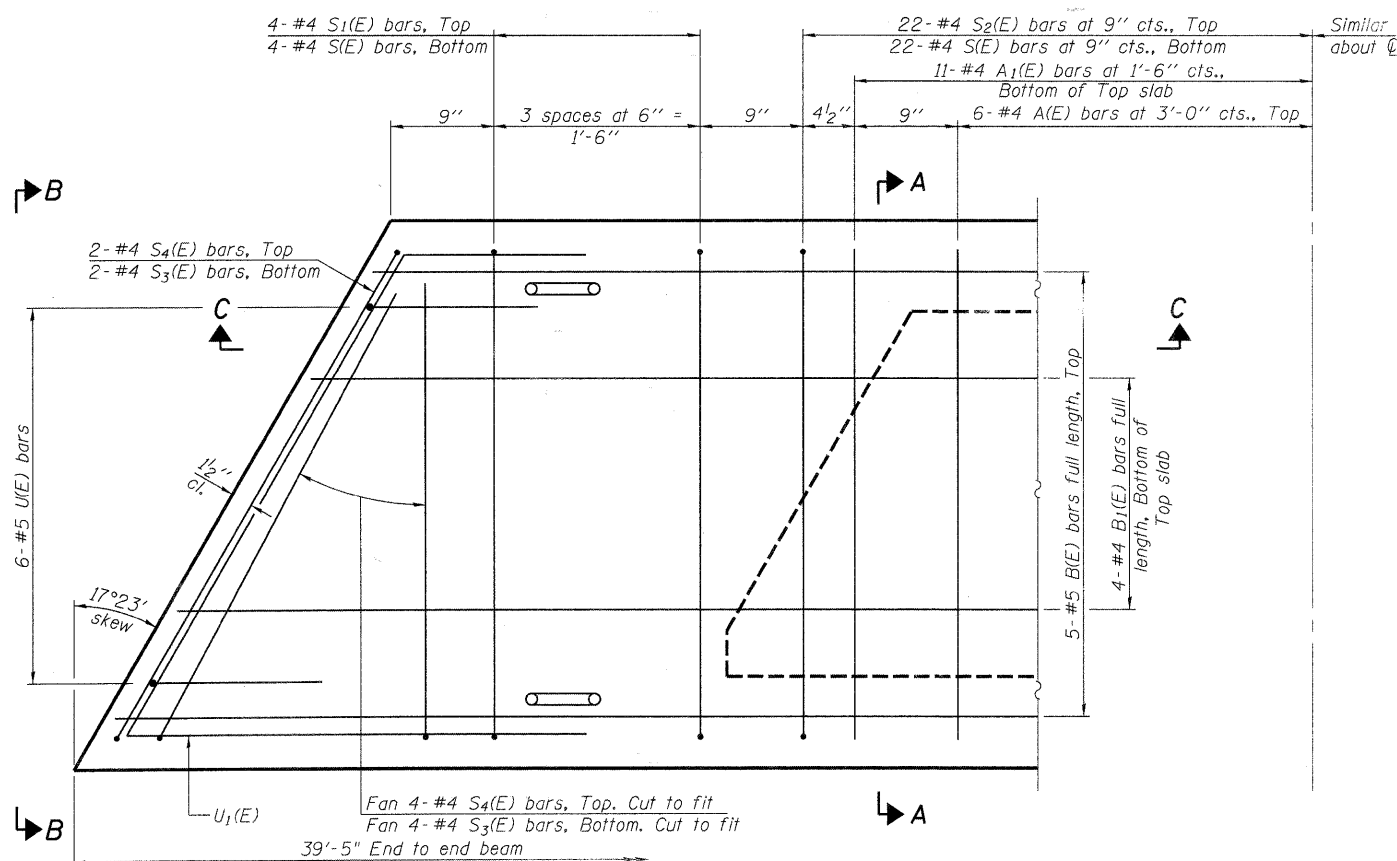
Omit key on exterior face of outside beams



SECTION A-A
(Showing dimensions)

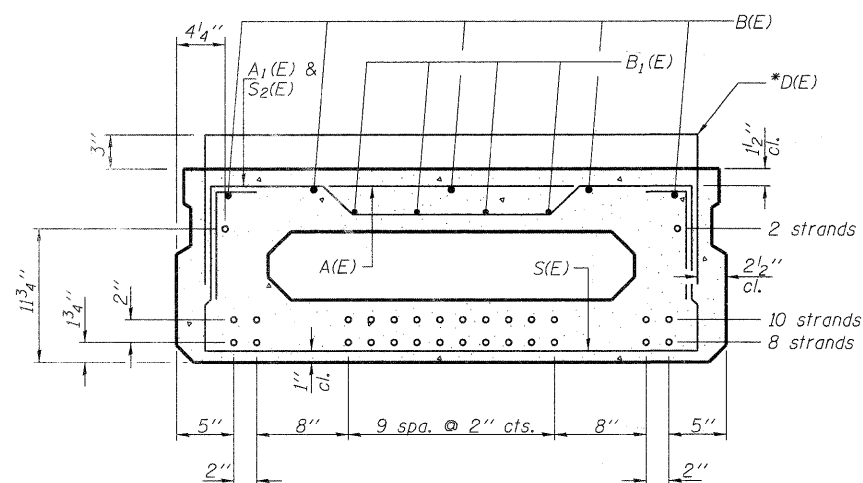


VIEW B-B



PLAN VIEW

Note: Spacing of S(E) and S2(E) bars may be adjusted up to 4" in the immediate area of the transverse tie diaphragms to miss the block outs for the transverse ties.



SECTION A-A
(Showing reinforcement and permissible strand locations)

Note: Place the number of strands specified in each row symmetrically about the centerline of beam in the permissible strand locations shown.

NOTES

Contractor may use bar splicers instead of cast-in-place dowel D(E) at no extra cost to the project. If bar splicers are to be used, then they need to be incorporated into the shop drawings for approval.

BAR LIST
ONE BEAM ONLY
(For information only)

Bar	No.	Size	Length	Shape
A(E)	12	#4	3'-7"	—
A1(E)	22	#4	3'-10"	—
B(E)	5	#5	39'-2"	—
B1(E)	4	#4	39'-2"	—
*D(E)	42	#5	5'-7"	□
S(E)	52	#4	6'-9"	□
S1(E)	8	#4	5'-3"	□
S2(E)	44	#4	5'-6"	□
S3(E)	12	#4	4'-7"	□
S4(E)	12	#4	3'-10"	□
U(E)	12	#5	3'-8"	□
U1(E)	2	#4	7'-3"	□

Note: See sheet 15 of 29 for additional details and Bill of Material.

*D(E) bars to be cast into outside beams only. See sheet 5, 6 and 15 of 29 for details.

MINIMUM BAR LAP

#4 bar = 2'-0"
#5 bar = 2'-6"

17" x 48" PPC DECK BEAMS SPAN 2
STRUCTURE NO. 022-6930



V3 Companies of Illinois Ltd.
7325 Janes Avenue
Woodridge, IL 60517
630.724.9200 phone
630.724.9202 fax
www.v3co.com

SHEET NO. 14	F.A.U. RTE.	SECTION	COUNTY	TOTAL SHEETS	SHEET NO.
	29 SHEETS	2651	07-00083-00-BR	DUPAGE	50
			CONTRACT NO. 63601		
FED. ROAD DIST. NO. _ ILLINOIS FED. AID PROJECT					