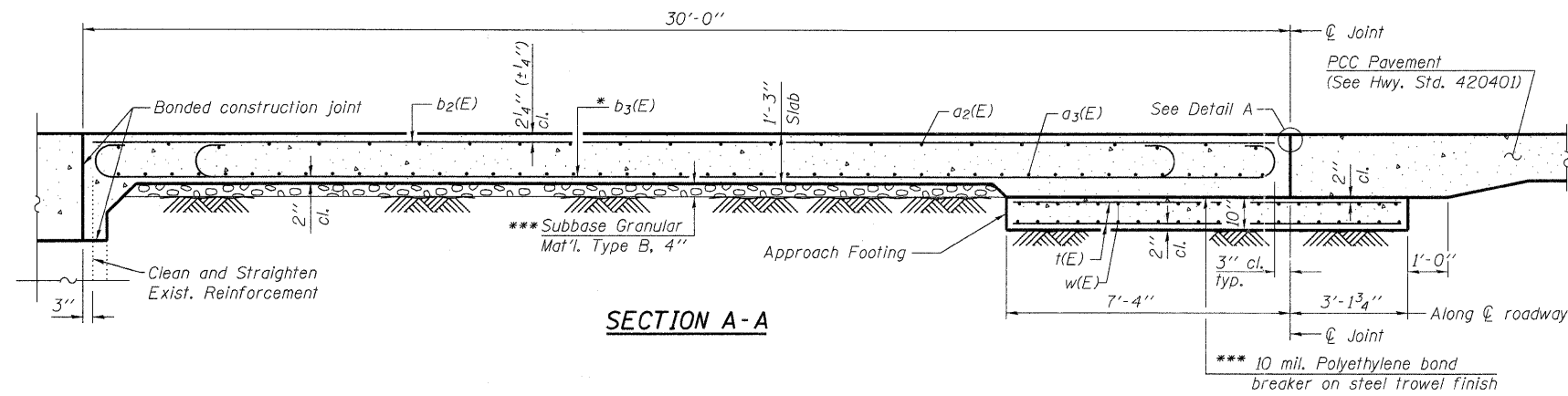
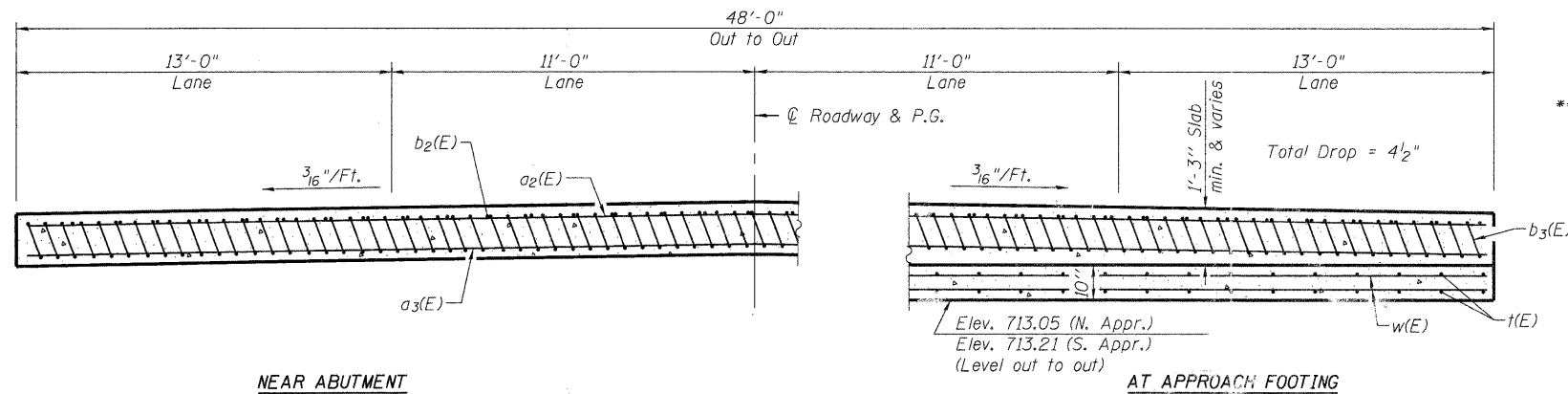


Notes:

See sheet 16 of 29 for Detail A.
 Approach slab concrete shall be paid for as Concrete Superstructure.
 Approach footing concrete shall be paid for as Concrete Structures.
 Reinforcement shall be paid for as Reinforcement Bars, Epoxy Coated.
 The approach footing maximum applied service bearing pressure (Q_{max}) = 2.0 ksf.
 Cost of excavation for approach footing included with Concrete Structures.



SECTION A-A



NEAR ABUTMENT

SECTION B-B

(See Plan for dimensions not shown)

AT APPROACH FOOTING

* Tilt #9 $b_3(E)$ bars as required to maintain clearance.
 *** Cost included with Concrete Superstructure.

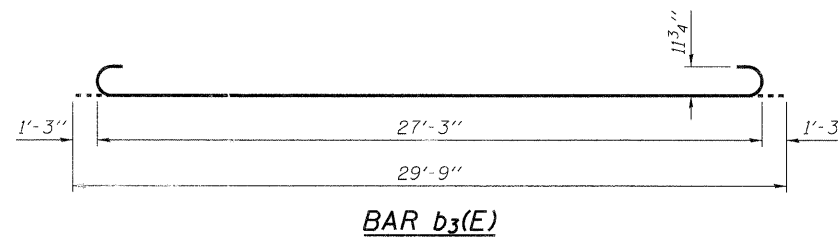
**TWO APPROACHES
 BILL OF MATERIAL**

| Bar | No. | Size | Length | Shape |
|-------------------------------------|-----|------|---------|--------|
| $a_2(E)$ | 100 | #4 | 25'-8" | — |
| $a_3(E)$ | 184 | #5 | 25'-10" | — |
| $b_2(E)$ | 78 | #4 | 29'-8" | — |
| $b_3(E)$ | 230 | #9 | 29'-9" | ⌋ |
| t(E) | 192 | #4 | 10'-3" | — |
| w(E) | 160 | #5 | 25'-10" | — |
| Concrete Superstructure | | | Cu. Yd. | 147.1 |
| Concrete Structures | | | Cu. Yd. | 31.1 |
| Reinforcement Bars, Epoxy Coated | | | Pound | 37,110 |
| Bridge Deck Grooving | | | Sq. Yd. | 320 |
| Protective Coat | | | Sq. Yd. | 320 |

Bars indicated thus 25x2-#4 etc. indicates 25 lines of bars with 2 lengths per line.

(Sheet 2 of 2)

**BRIDGE APPROACH SLAB DETAILS-II
 STRUCTURE NO. 022-6930**



BAR $b_3(E)$

V3 Companies of Illinois Ltd.
 7325 Janes Avenue
 Woodridge, IL 60517
 630.724.9200 phone
 630.724.9202 fax
 www.v3co.com

| | | | | | |
|-------------------------------|----------------|----------------|---------------------------|--------------------|-----------|
| SHEET NO. 17 29 SHEETS | F.A.U. RTE. | SECTION | COUNTY | TOTAL SHEETS | SHEET NO. |
| | 2651 | 07-00083-00-BR | DUPAGE | 50 | 31 |
| FED. ROAD DIST. NO. _ | | | ILLINOIS FED. AID PROJECT | | |
| | | | | CONTRACT NO. 63601 | |