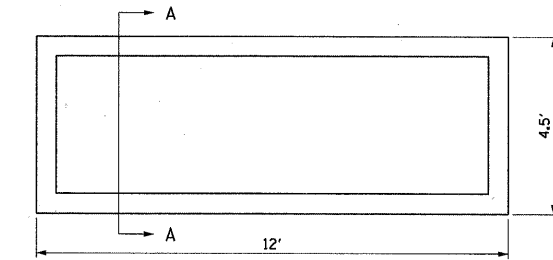
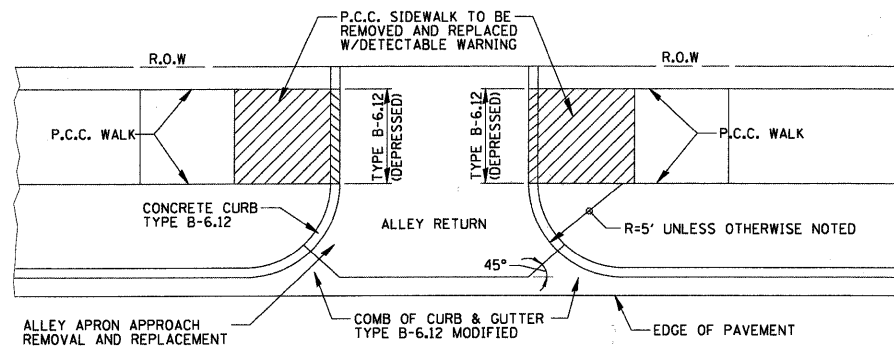


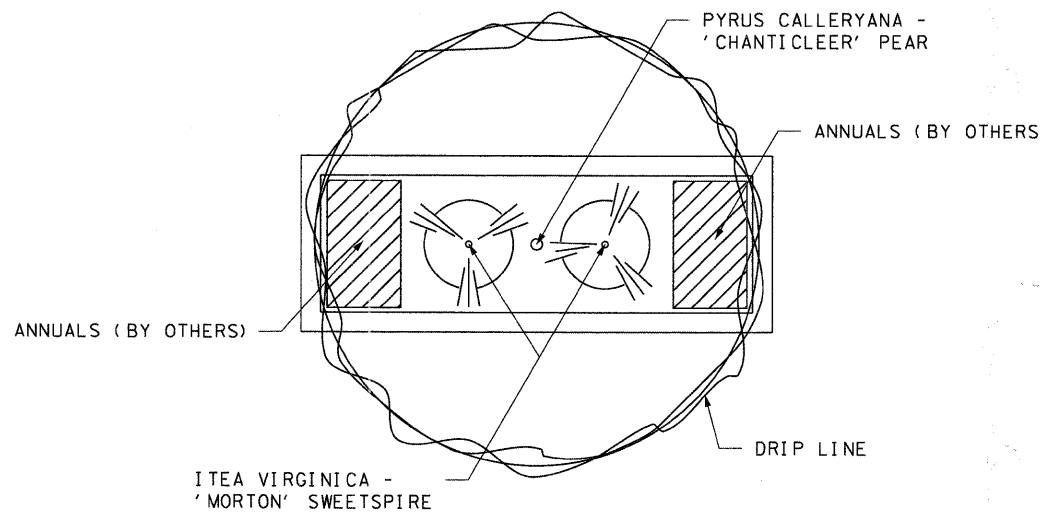
SPACING DETAIL
BELMONT AVENUE PARKWAY



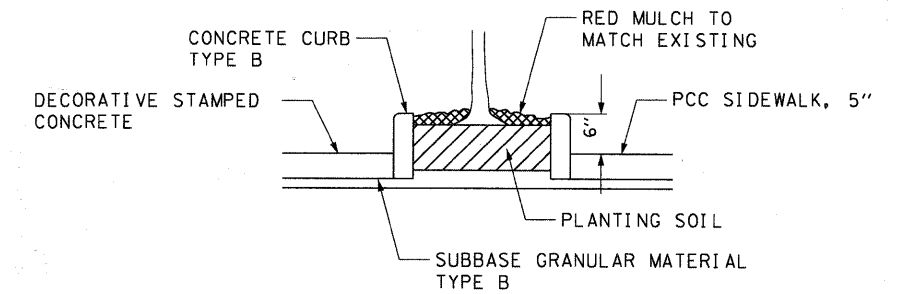
PLANTER BOX



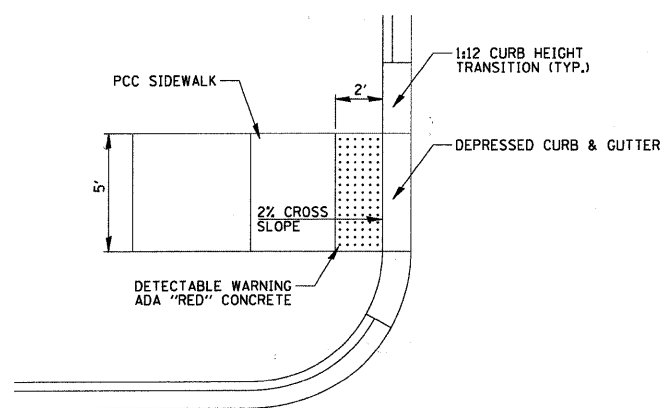
TYPICAL ALLEY RETURN
N.T.S.



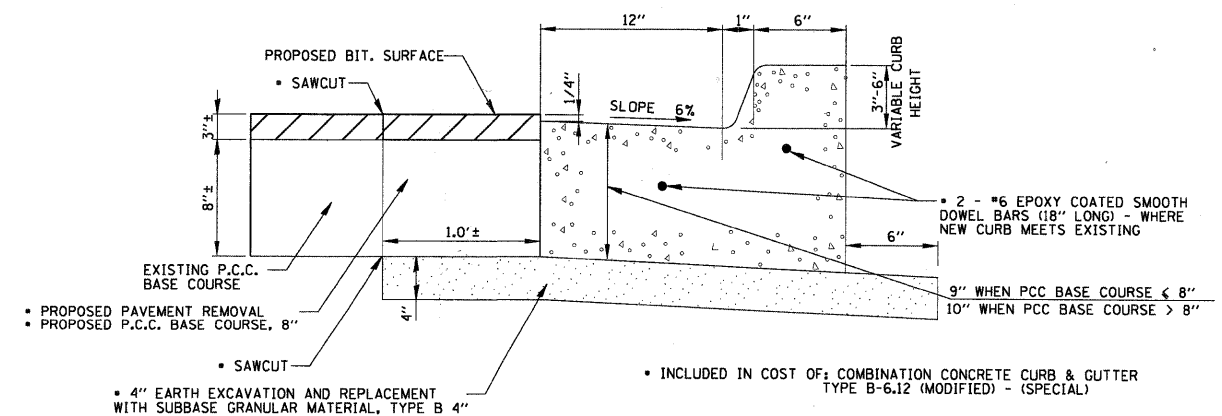
PLANTINGS



SECTION A-A



DETECTABLE WARNING DETAIL
N.T.S.



COMBINATION CONCRETE CURB & GUTTER, TYPE B-6.12 - (SPECIAL)
N.T.S.

FILE NAME =	USER NAME = ESIDORCZ	DESIGNED -	REVISED -
N:\ELMWOODPARK\950253.000\4\CONDET.950253.01.SHT		DRAWN -	REVISED -
PLOT SCALE = 20'		CHECKED -	REVISED -
PLOT DATE = 5/24/2011		DATE -	REVISED -

STATE OF ILLINOIS
DEPARTMENT OF TRANSPORTATION

CONSTRUCTION DETAILS

SCALE: SHEET NO. OF SHEETS STA. TO STA.

F.A.U. RTE.	SECTION	COUNTY	TOTAL SHEETS	SHEET NO.
1374	10-00112-00-LS	COOK	23	9
CONTRACT NO. 63608				
ILLINOIS FED. AID PROJECT				